

# Microsoft® Windows® 95 Adapter Help

This Help file was compiled by the Product Support Services (PSS) group at Microsoft and will assist you in the setup of your Adapter cards for Windows 95. Below you will find some of the most commonly used Adapters listed by function and manufacturer. Wherever possible, the cards default settings have been indicated in *italic text*. Please refer to the appropriate manufacturer and card for specific instructions.

## Network Adapter Cards

<a href="#"><u>3Com</u></a>	<a href="#"><u>DEC</u></a>	<a href="#"><u>Intel</u></a>	<a href="#"><u>Novell</u></a>	<a href="#"><u>Racore</u></a>
<a href="#"><u>Amplicard</u></a>	<a href="#"><u>DCA</u></a>	<a href="#"><u>Madge</u></a>	<a href="#"><u>Olicom</u></a>	<a href="#"><u>SMC</u></a>
<a href="#"><u>Artisoft</u></a>	<a href="#"><u>Everex</u></a>	<a href="#"><u>NCR</u></a>	<a href="#"><u>Proteon</u></a>	<a href="#"><u>Thomas Conrad</u></a>
<a href="#"><u>Cabletron</u></a>	<a href="#"><u>HP</u></a>	<a href="#"><u>NetWorth</u></a>	<a href="#"><u>Pure Data</u></a>	<a href="#"><u>Toshiba</u></a>
<a href="#"><u>Compaq</u></a>	<a href="#"><u>IBM</u></a>	<a href="#"><u>Network Peripherals</u></a>	<a href="#"><u>Racal</u></a>	<a href="#"><u>UngermanBass</u></a>
				<a href="#"><u>WD(SMC)</u></a>

## SCSI Adapters

<a href="#"><u>Adaptec</u></a>	<a href="#"><u>DPT</u></a>	<a href="#"><u>IBM</u></a>	<a href="#"><u>UltraStor</u></a>
<a href="#"><u>Always</u></a>	<a href="#"><u>DTC</u></a>	<a href="#"><u>NCR</u></a>	
<a href="#"><u>BusLogic</u></a>	<a href="#"><u>Future Domain</u></a>	<a href="#"><u>Trantor</u></a>	

## Sound Cards

<a href="#"><u>Creative Labs</u></a>	<a href="#"><u>Media Vision</u></a>	<a href="#"><u>Microsoft</u></a>
--------------------------------------	-------------------------------------	----------------------------------

## Terminology

<a href="#"><u>Base Address</u></a>	<a href="#"><u>DMA</u></a>	<a href="#"><u>SCSI</u></a>	<a href="#"><u>SCSI Types</u></a>
<a href="#"><u>COAX Cable</u></a>	<a href="#"><u>IRQ</u></a>	<a href="#"><u>SCSI Connectors</u></a>	<a href="#"><u>Serial Connectors</u></a>

### NOTE:

This Help file is not intended to be a replacement for the documentation that was provided with your Adapter card(s). It is provided as a convenience, in the hopes that it will help you get your Adapter card(s) configured more quickly. This Help file provides IRQ, I/O Base, RAM Base Address and other settings as a convenience. For information not covered in this Help file, please consult the documentation that was supplied with your Adapter card.

The products included here are manufactured by vendors independent of Microsoft; we make no warranty, implied or otherwise, regarding these products performance or reliability.

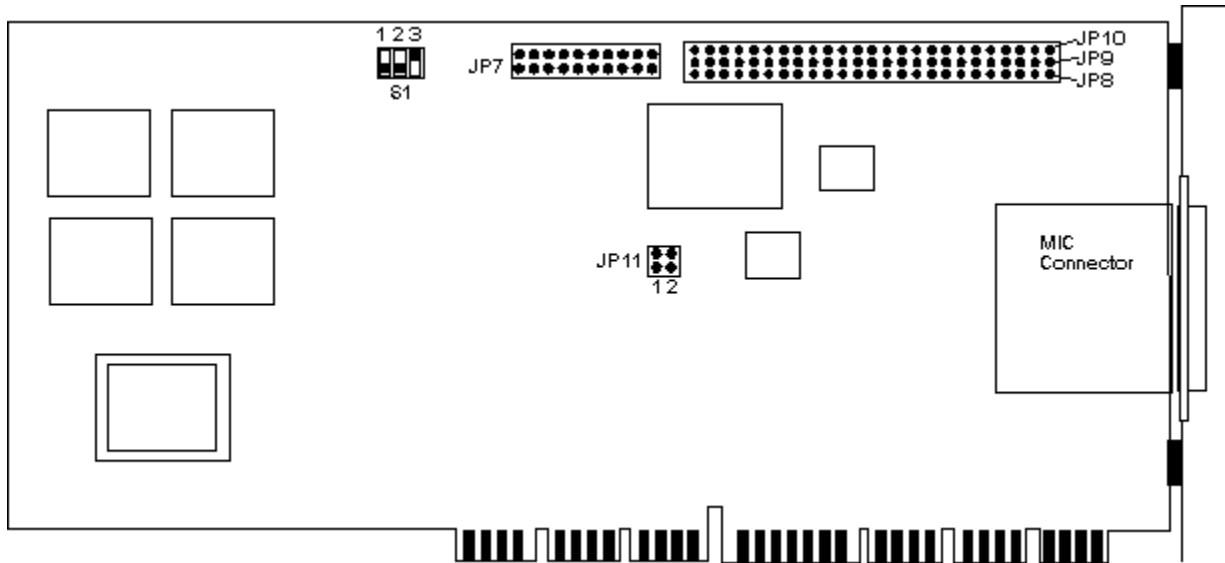
## **Network Peripherals**

Windows NT Adapter help currently includes the following Network Peripherals network adapters

Network Peripherals NP-EISA/S

Network Peripherals NP-MCA/S

## Network Peripherals NP-EISA/S



This is the Network Peripherals NP-EISA/S Network Adapter card shown. The Installation/Diagnostic Program is a menu based program that allows the installer to configure, install and test a network interface. To run it type:

NPINST <RETURN>.

### **I/O Base Address Switch S1**

	<b>1</b>	<b>2</b>	<b>3</b>
160	ON	OFF	ON
180	ON	OFF	OFF
260	OFF	ON	ON
280	OFF	ON	OFF
360	OFF	OFF	ON
380	OFF	OFF	OFF

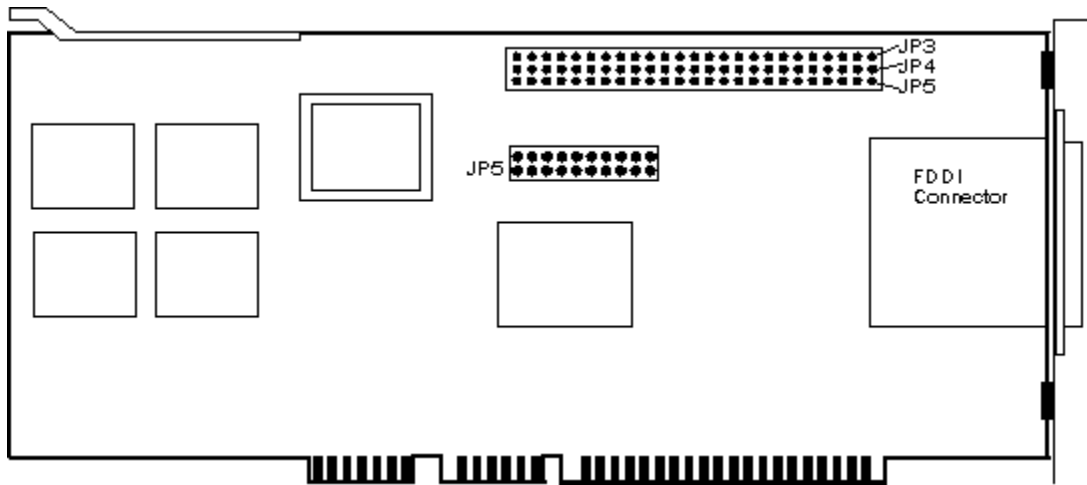
### **Port Type Configuration Jumper Block JP11**

	<b>1</b>	<b>2</b>
'A' Type	OFF	OFF
'S' Type	OFF	ON
'M' Type	ON	OFF
'B' Type	ON	ON

### **Cabling for this Adapter**

FDDI Connector

## **Network Peripherals NP-MCA/S**



This is the Network Peripherals NP-MCA/S Network Adapter card shown. The manual and the README.1ST file on the installation diskette contain information about installing this adapter in your system. Run NPINST to determine the available Hardware Interrupts (IRQs) in the system. IRQs can be set by using the Reference Diskette that came with your MicroChannel Computer.

### **Cabling for this Adapter**

FDDI Connector

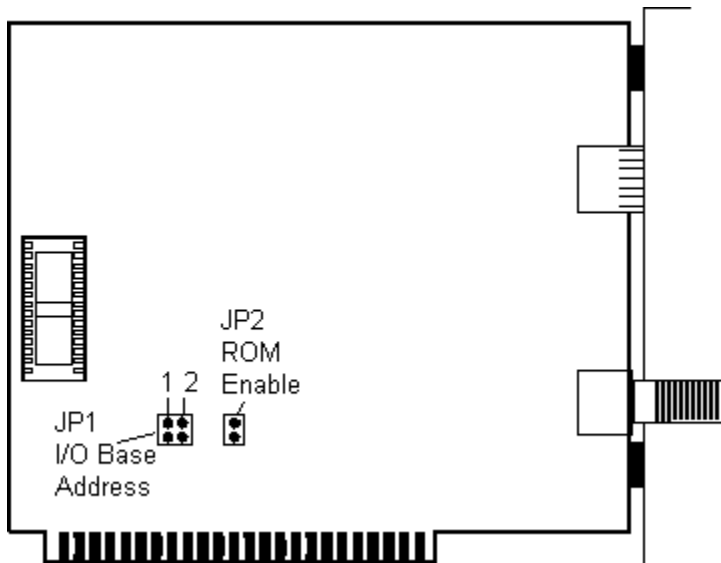
## **Cabletron**

Windows '95 Adapter help currently includes the following Cabletron network adapters

Cabletron E2100

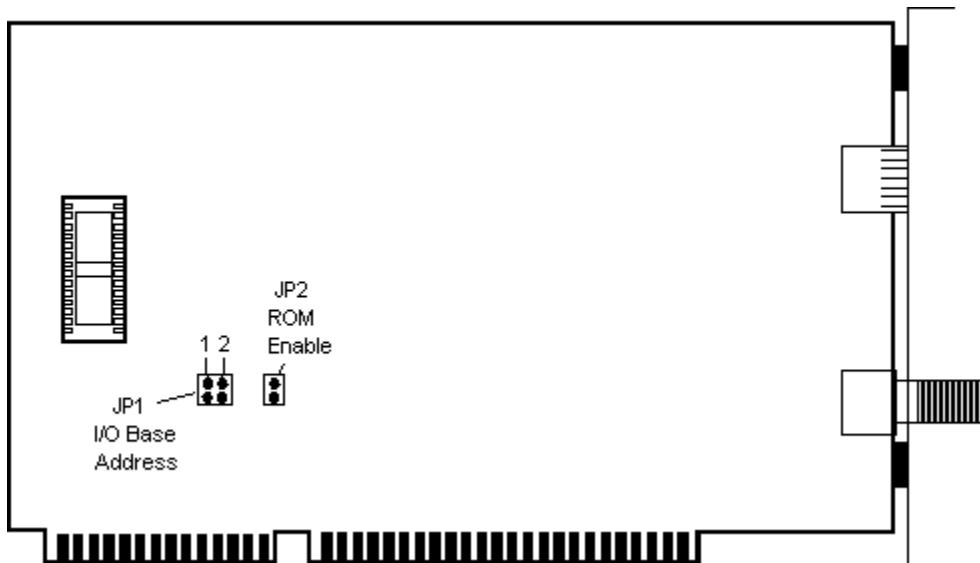
Cabletron E1100

## Cabletron E1100



This is the Cabletron E1100 Network Adapter card shown. Listed below are the possible Base I/O Address jumper configurations. IRQ is configured by software.:

## **Cabletron E2100**



This is the Cabletron E2100 Network Adapter card shown. Listed below are the possible Base I/O Address jumper configurations. IRQ is configured by software.:

### **Base I/O Address**

	BASE I/O JUMPER BLOCK JP1	
	1	2
220h	ON	ON
280h	ON	OFF
300h	OFF	ON
380h	OFF	OFF

### **Cabling for this Adapter**

- Unshielded Twisted Pair via RJ-45 Connector
- Thin Ethernet via BNC Connector

## **3COM**

Windows 95 Adapter help currently includes the following 3Com network cards:

3Com Etherlink 16 (3C507)

3Com Etherlink II (8 or 16-Bit 3C503) 2227-xx

3Com Etherlink II (8-or 16-Bit 3C503) 7920-xxxx

3Com Etherlink/MC (3C523)

3Com Etherlink III (3C509)

3Com Etherlink III - TP (3C509)

3Com Etherlink III - COMBO (3C509)

3Com Tokenlink (3C603)3Com Etherlink Plus (3C505-B)



## **3Com Etherlink 16 (3C507)**

This Network Adapter card can be configured using the software supplied by the manufacturer. Please consult the documentation that came with your Network Adapter or contact the manufacturer of the Network Adapter for further information.

### **Interrupt Request Line (IRQ)**

*Default - IRQ3*

### **Base I/O Address**

*Default - 300h*

### **Base Memory Address**

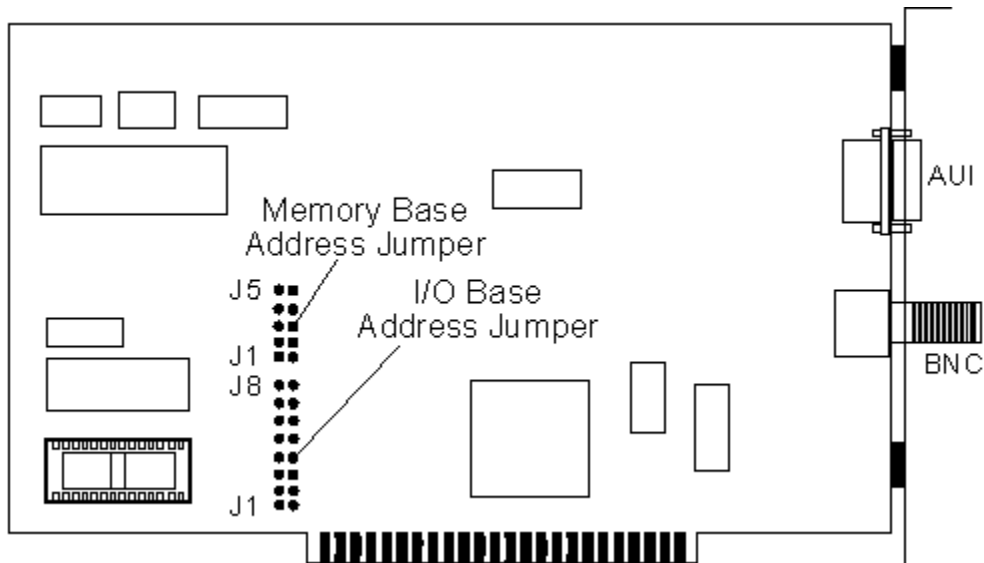
*Default - D000h*

### **Cabling for this Adapter**

Thick Ethernet via AUI Connector

Thin Ethernet via BNC Connector

## **3Com Etherlink II (8 or 16-Bit 3C503) 2227-xx**



This is the 3Com Etherlink II (8 or 16-Bit 3C503) 2227-xx Network Adapter card shown. Listed below are the possible Interrupt Request Line (IRQ), Base I/O Address, and Base Memory Address jumper/switch configurations:

### **Interrupt Request Line (IRQ)**

SOFTWARE CONFIGURABLE

*Default - IRQ3*

### **Base I/O Address**

BASE I/O JUMPER BLOCK

	J1	J2	J3	J4	J5	J6	J7	J8
250h	OFF	OFF	OFF	ON	OFF	OFF	OFF	OFF
280h	OFF	OFF	ON	OFF	OFF	OFF	OFF	OFF
2A0h	OFF	ON	OFF	OFF	OFF	OFF	OFF	OFF
2E0h	ON	OFF	OFF	OFF	OFF	OFF	OFF	OFF
300h	OFF	OFF	OFF	OFF	OFF	OFF	OFF	ON
310h	OFF	OFF	OFF	OFF	OFF	OFF	ON	OFF
330h	OFF	OFF	OFF	OFF	OFF	ON	OFF	OFF
350h	OFF	OFF	OFF	OFF	ON	OFF	OFF	OFF

### **Base Memory Address**

Base Memory Address JUMPER BLOCK

	J1	J2	J3	J4	J5
<i>DISABLED</i>	OFF	OFF	OFF	OFF	ON
C800h	ON	OFF	OFF	OFF	OFF
CC00h	OFF	ON	OFF	OFF	OFF
D800h	OFF	OFF	ON	OFF	OFF
DC00h	OFF	OFF	OFF	ON	OFF

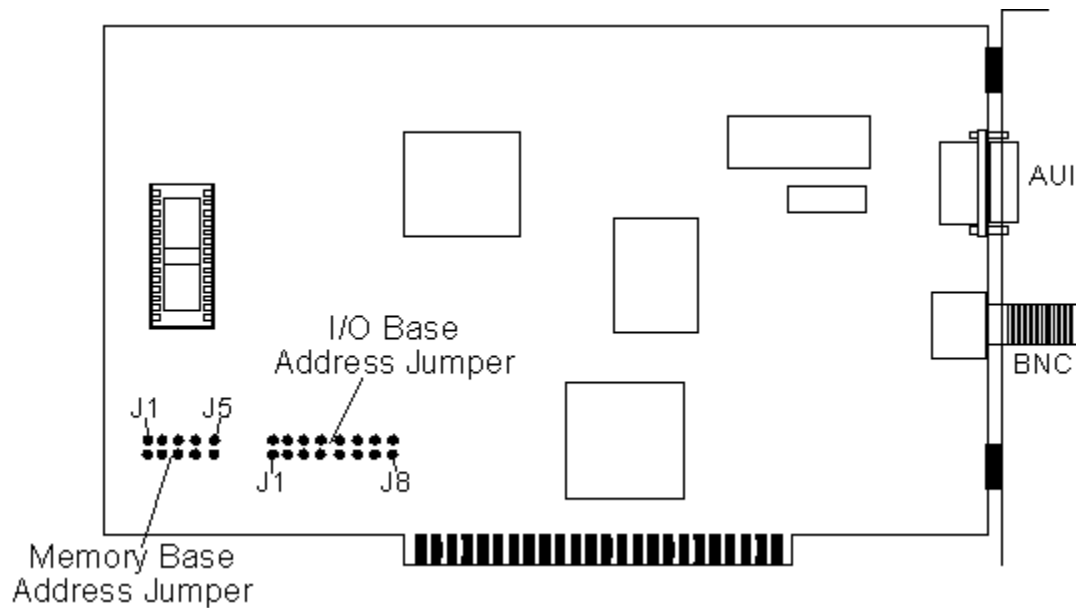
### **Cabling for this Adapter**

Thick Ethernet via AUI Connector

Thin Ethernet via BNC Connector



## **3Com Etherlink II (8 or 16-Bit 3C503) 7920-xxxx**



This is the 3Com Etherlink II (8 or 16-Bit) 7920-xxxx Network Adapter card shown. Listed below are the possible Interrupt Request Line (IRQ), Base I/O Address, and Base Memory Address jumper/switch configurations:

### **Interrupt Request Line (IRQ)**

SOFTWARE CONFIGURABLE

*Default - IRQ3*

### **Base I/O Address**

BASE I/O JUMPER BLOCK

	J1	J2	J3	J4	J5	J6	J7	J8
250h	OFF	OFF	OFF	OFF	ON	OFF	OFF	OFF
280h	OFF	OFF	OFF	OFF	OFF	ON	OFF	OFF
2A0h	OFF	OFF	OFF	OFF	OFF	OFF	ON	OFF
2E0h	OFF	OFF	OFF	OFF	OFF	OFF	OFF	ON
300h	ON	OFF	OFF	OFF	OFF	OFF	OFF	OFF
310h	OFF	ON	OFF	OFF	OFF	OFF	OFF	OFF
330h	OFF	OFF	ON	OFF	OFF	OFF	OFF	OFF
350h	OFF	OFF	OFF	ON	OFF	OFF	OFF	OFF

### **Base Memory Address**

Base Memory Address JUMPER BLOCK

	J1	J2	J3	J4	J5
DISABLED	ON	OFF	OFF	OFF	OFF
C800h	OFF	ON	OFF	OFF	OFF
CC00h	OFF	OFF	ON	OFF	OFF
D800h	OFF	OFF	OFF	ON	OFF
DC00h	OFF	OFF	OFF	OFF	ON

### **Cabling for this Adapter**

Thick Ethernet via AUI Connector

Thin Ethernet via BNC Connector

### **3Com Etherlink/MC (3C523)**

This Network Adapter card is configured using the 'Reference Disk' provided with your Micro-Channel System. For further information consult the documentation provided with the Network Adapter or contact your vendor.

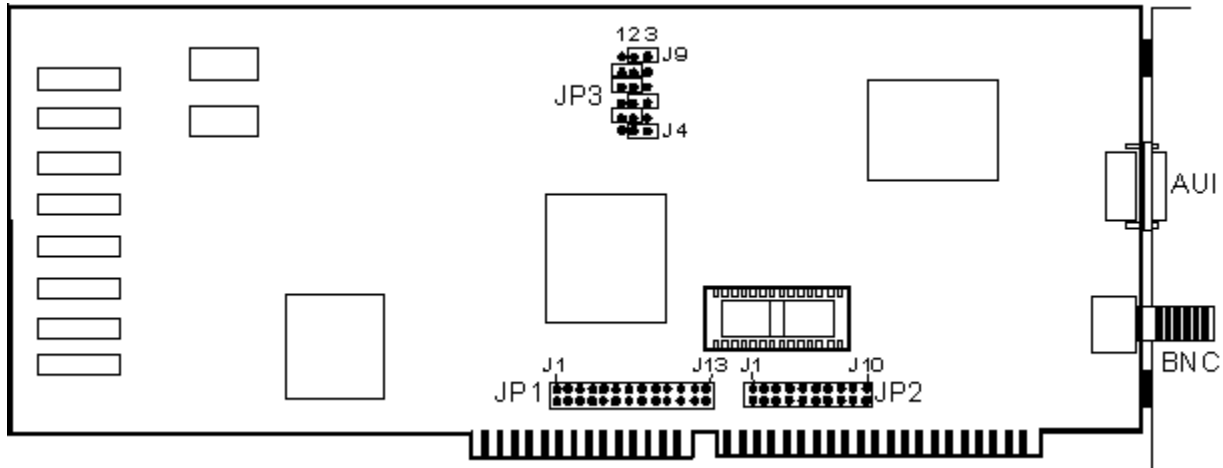
#### **Interrupt Request Line (IRQ)**

*Default - IRQ3*

#### **Base I/O Address**

*Default - 300h*

### **3Com Etherlink Plus (3C505-B)**



This is the 3Com Etherlink Plus Network Adapter card shown. Listed below are the possible Interrupt Request Line (IRQ), Base I/O Address, and Base Memory Address jumper/switch configurations:

#### **Interrupt Request Line (IRQ)**

	JP1					JP2					
	J9	J10	J11	J12	J13	J1	J2	J3	J4	J5	J6
IRQ3	OFF	OFF	OFF	OFF	OFF	ON	OFF	OFF	OFF	OFF	OFF
IRQ4	OFF	OFF	OFF	OFF	OFF	OFF	ON	OFF	OFF	OFF	OFF
IRQ5	OFF	OFF	OFF	OFF	OFF	OFF	OFF	ON	OFF	OFF	OFF
IRQ6	OFF	OFF	OFF	OFF	OFF	OFF	OFF	OFF	ON	OFF	OFF
IRQ7	OFF	OFF	OFF	OFF	OFF	OFF	OFF	OFF	OFF	ON	OFF
IRQ9	OFF	OFF	OFF	OFF	OFF	OFF	OFF	OFF	OFF	OFF	ON
IRQ10	OFF	OFF	OFF	OFF	ON	OFF	OFF	OFF	OFF	OFF	OFF
IRQ11	OFF	OFF	OFF	ON	OFF	OFF	OFF	OFF	OFF	OFF	OFF
IRQ12	OFF	OFF	ON	OFF	OFF	OFF	OFF	OFF	OFF	OFF	OFF
IRQ14	ON	OFF	OFF	OFF	OFF	OFF	OFF	OFF	OFF	OFF	OFF
IRQ15	OFF	ON	OFF	OFF	OFF	OFF	OFF	OFF	OFF	OFF	OFF

#### **Base I/O Address**

	JP3					
	J4	J5	J6	J7	J8	J9
300h	2-3	2-3	2-3	2-3	1-2	1-2
310h	1-2	2-3	2-3	2-3	1-2	1-2
330h	1-2	1-2	2-3	2-3	1-2	1-2
350h	1-2	2-3	1-2	2-3	1-2	1-2

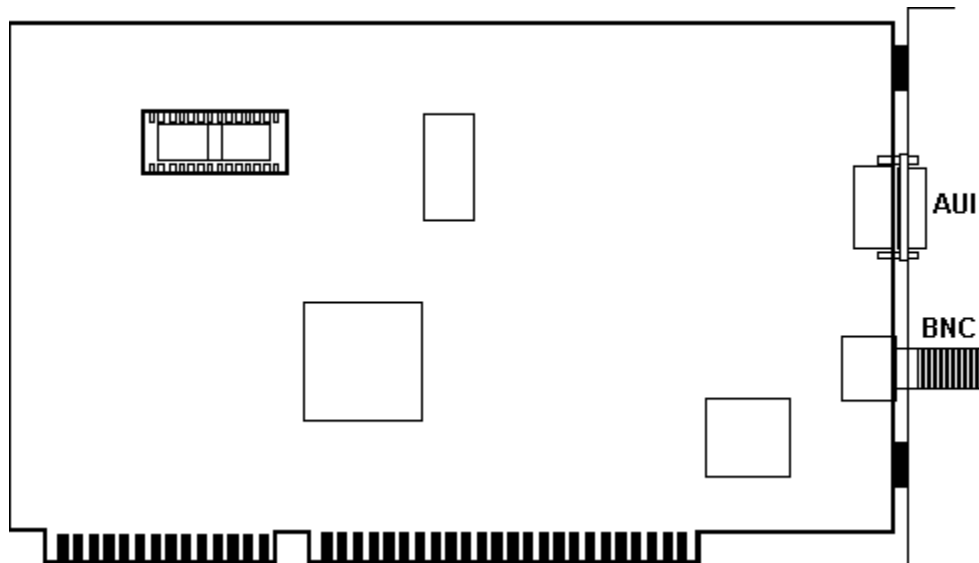
#### **Base Memory Address**

NOT USED





## **3Com Etherlink III (3C509)**



This Network Adapter card can be configured using the software supplied by the manufacturer. Please consult the documentation that came with your Network Adapter or contact the manufacturer of the Network Adapter for further information.

### **Interrupt Request Line (IRQ)**

*Default - IRQ10*

### **Base I/O Address**

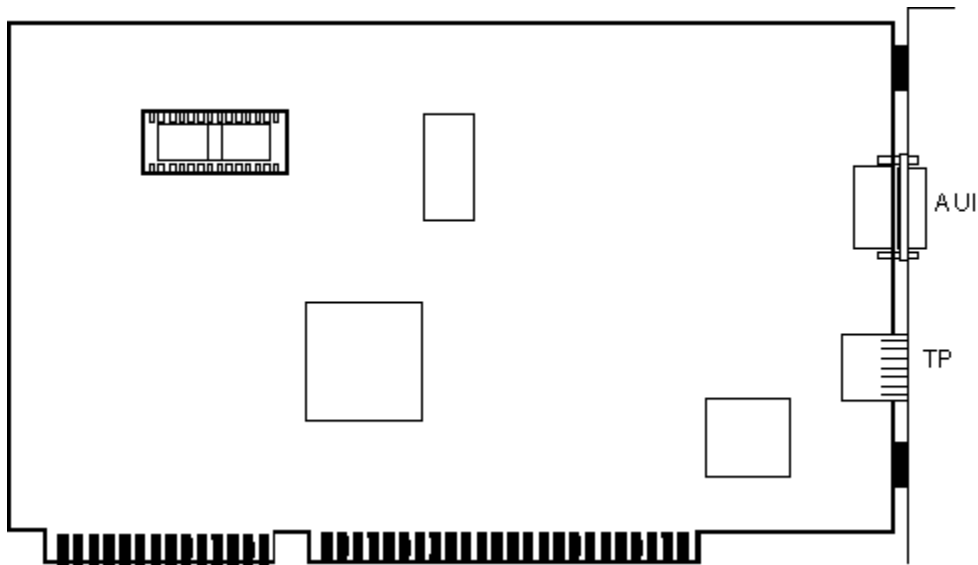
*Default - 300h*

### **Cabling for this Adapter**

Thick Ethernet via AUI Connector

Thin Ethernet via BNC Connector

## **3Com Etherlink III - TP (3C509)**



This Network Adapter card can be configured using the software supplied by the manufacturer. Please consult the documentation that came with your Network Adapter or contact the manufacturer of the Network Adapter for further information.

### **Interrupt Request Line (IRQ)**

*Default - IRQ10*

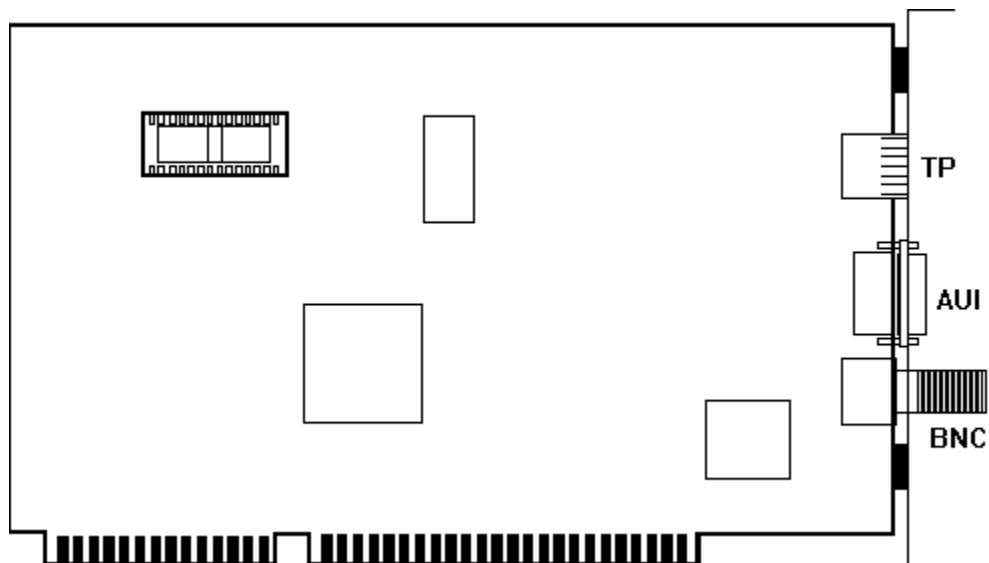
### **Base I/O Address**

*Default - 300h*

### **Cabling for this Adapter**

- Unshielded Twisted Pair via RJ-45 Connector
- Thin Ethernet via BNC Connector

## **3Com Etherlink III COMBO (3C509)**



This Network Adapter card can be configured using the software supplied by the manufacturer. Please consult the documentation that came with your Network Adapter or contact the manufacturer of the Network Adapter for further information.

### **Interrupt Request Line (IRQ)**

*Default - IRQ10*

### **Base I/O Address**

*Default - 300H*

### **Cabling for this Adapter**

- Unshielded Twisted Pair via RJ-45 Connector
- Thick Ethernet via AUI Connector
- Thin Ethernet via BNC Connector

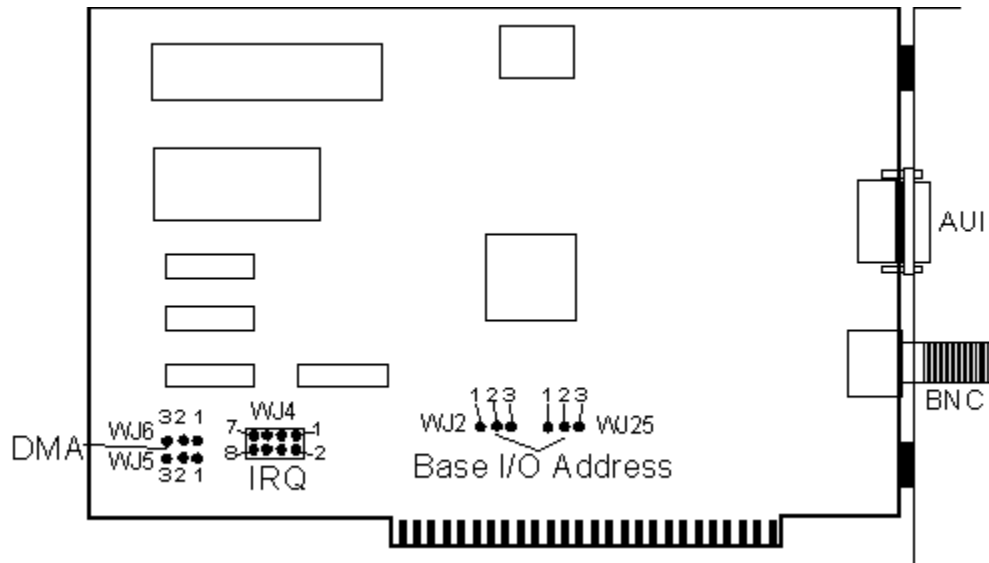
## **Amplicard**

Windows 95 Adapter help currently includes the following Amplicard network cards:

Amplicard AC 210/XT

Amplicard AC 210/AT

## **Amplicard AC 210/XT**



This is the Amplicard AC 210/XT Network Adapter card shown. Listed below are the possible Interrupt Request Line (IRQ), Base I/O Address, and Base Memory Address jumper/switch configurations:

### **Interrupt Request Line (IRQ)**

	WJ4
IRQ2	7-8
IRQ3	5-6
IRQ4	3-4
IRQ5	1-2

### **Base I/O Address**

	WJ2	WJ25
300h	1-2	1-2
320h	2-3	1-2
340h	1-2	2-3
360h	2-3	2-3

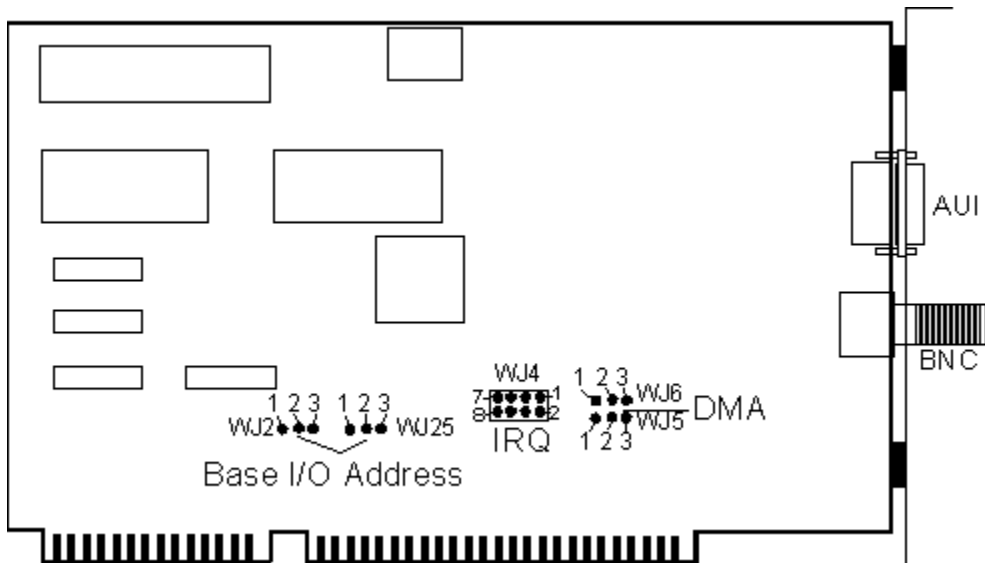
### **Base Memory Address**

SOFTWARE CONFIGURABLE  
Default - D000h

### **Cabling for this Adapter**

Thick Ethernet via AUI Connector  
Thin Ethernet via BNC Connector

## Amplicard AC 210/AT



This is the Amplicard AC 210/AT Network Adapter card shown. Listed below are the possible Interrupt Request Line (IRQ), Base I/O Address, and Base Memory Address jumper/switch configurations:

### **Interrupt Request Line (IRQ)**

	WJ4
IRQ2	7-8
IRQ3	5-6
IRQ4	3-4
IRQ5	1-2

### **Base I/O Address**

	WJ2	WJ24
300h	1-2	1-2
320h	1-2	2-3
340h	2-3	2-3
360h	2-3	1-2

### **Base Memory Address**

SOFTWARE CONFIGURABLE

Default - D000h

### **Cabling for this Adapter**

Thick Ethernet via AUI Connector

Thin Ethernet via BNC Connector

## **Artisoft**

Windows 95 Adapter help currently includes the following Artisoft network cards:

Artisoft AE-1/T (Twisted Pair)

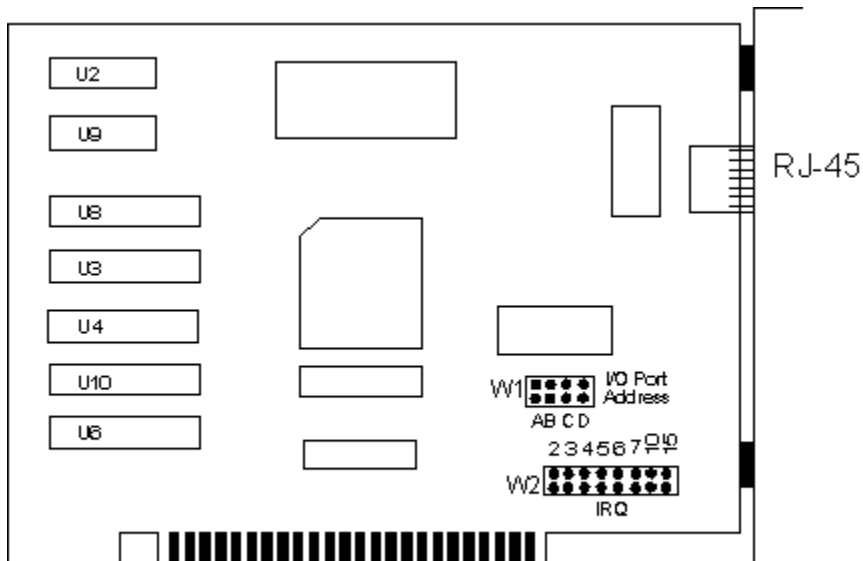
Artisoft AE-2/T (Twisted Pair)

Artisoft AE-2/C (Thinnet/Coax)

Artisoft AE-2 (MCA) or AE-3 (MCA)

Artisoft AE-3

## **Artisoft AE-1/T**



This is the Artisoft AE-1/T Network Adapter card shown. Listed below are the possible Interrupt Request Line (IRQ), Base I/O Address, and Base Memory Address jumper/switch configurations:

### **Interrupt Request Line (IRQ)**

	W2							
	J2	J3	J4	J5	J6	J7	J10	J15
IRQ2	ON	OFF	OFF	OFF	OFF	OFF	OFF	OFF
IRQ3	OFF	ON	OFF	OFF	OFF	OFF	OFF	OFF
IRQ4	OFF	OFF	ON	OFF	OFF	OFF	OFF	OFF
IRQ5	OFF	OFF	OFF	ON	OFF	OFF	OFF	OFF
IRQ6	OFF	OFF	OFF	OFF	ON	OFF	OFF	OFF
IRQ7	OFF	OFF	OFF	OFF	OFF	ON	OFF	OFF
IRQ10	OFF	OFF	OFF	OFF	OFF	OFF	ON	OFF
IRQ15	OFF	OFF	OFF	OFF	OFF	OFF	OFF	ON

### **Base I/O Address**

	W1			
	A	B	C	D
300h	ON	ON	OFF	OFF
320h	OFF	ON	OFF	ON
340h	ON	OFF	ON	OFF
360h	OFF	OFF	ON	ON

### **Base Memory Address**

NOT USED

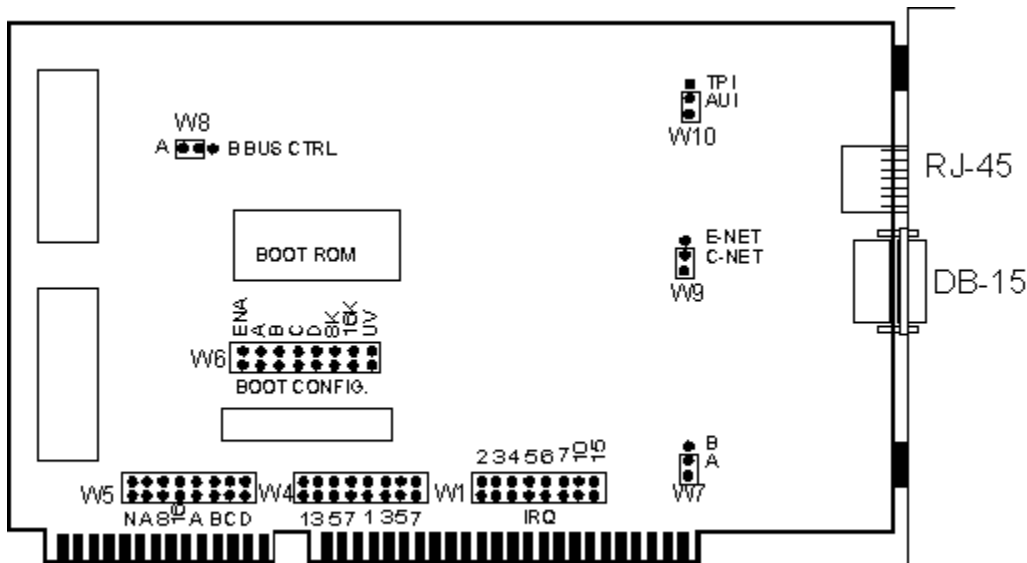
### **Cabling for this Adapter**

Unshielded Twisted Pair via RJ-45 Connector





## Artisoft AE-2/T (Twisted Pair)



This is the Artisoft AE-2 Card (Twisted Pair) shown. Listed below are the possible Interrupt Request Line (IRQ), Base I/O Address, and Base Memory Address jumper/switch configurations:

### Interrupt Request Line (IRQ)

	W1							
	J2	J3	J4	J5	J6	J7	J10	J15
IRQ2	ON	OFF	OFF	OFF	OFF	OFF	OFF	OFF
IRQ3	OFF	ON	OFF	OFF	OFF	OFF	OFF	OFF
IRQ4	OFF	OFF	ON	OFF	OFF	OFF	OFF	OFF
IRQ5	OFF	OFF	OFF	ON	OFF	OFF	OFF	OFF
IRQ6	OFF	OFF	OFF	OFF	ON	OFF	OFF	OFF
IRQ7	OFF	OFF	OFF	OFF	OFF	ON	OFF	OFF
IRQ10	OFF	OFF	OFF	OFF	OFF	OFF	ON	OFF
IRQ15	OFF	OFF	OFF	OFF	OFF	OFF	OFF	ON

### Base I/O Address

	W4			
	A	B	C	D
300h	ON	ON	OFF	OFF
320h	ON	OFF	ON	OFF
340h	OFF	ON	OFF	ON
360h	OFF	OFF	ON	ON

### Base Memory Address

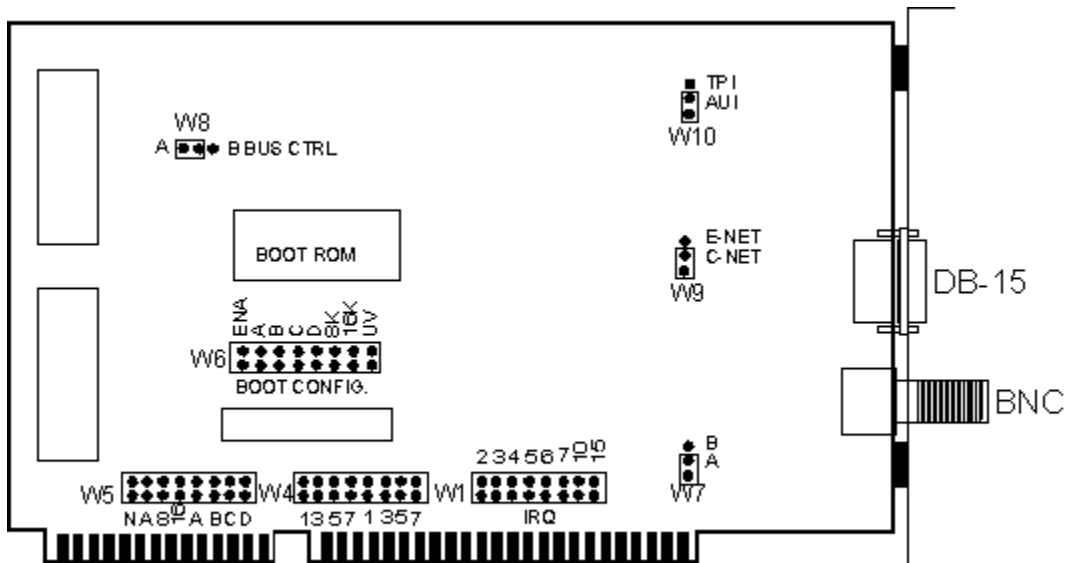
NOT USED

### Cabling for this Adapter

- Unshielded Twisted Pair via RJ-45 Connector
- Thick Ethernet via AUI Connector



## Artisoft AE-2/C (Thinnet)



This is the Artisoft AE-2/C Card (Thinnet) shown. Listed below are the possible Interrupt Request Line (IRQ), Base I/O Address, and Base Memory Address jumper/switch configurations:

### Interrupt Request Line (IRQ)

	W1							
	J2	J3	J4	J5	J6	J7	J10	J15
IRQ2	ON	OFF	OFF	OFF	OFF	OFF	OFF	OFF
IRQ3	OFF	ON	OFF	OFF	OFF	OFF	OFF	OFF
IRQ4	OFF	OFF	ON	OFF	OFF	OFF	OFF	OFF
IRQ5	OFF	OFF	OFF	ON	OFF	OFF	OFF	OFF
IRQ6	OFF	OFF	OFF	OFF	ON	OFF	OFF	OFF
IRQ7	OFF	OFF	OFF	OFF	OFF	ON	OFF	OFF
IRQ10	OFF	OFF	OFF	OFF	OFF	OFF	ON	OFF
IRQ15	OFF	OFF	OFF	OFF	OFF	OFF	OFF	ON

### Base I/O Address

	W4			
	A	B	C	D
300h	ON	ON	OFF	OFF
320h	ON	OFF	ON	OFF
340h	OFF	ON	OFF	ON
360h	OFF	OFF	ON	ON

### Base Memory Address

NOT USED

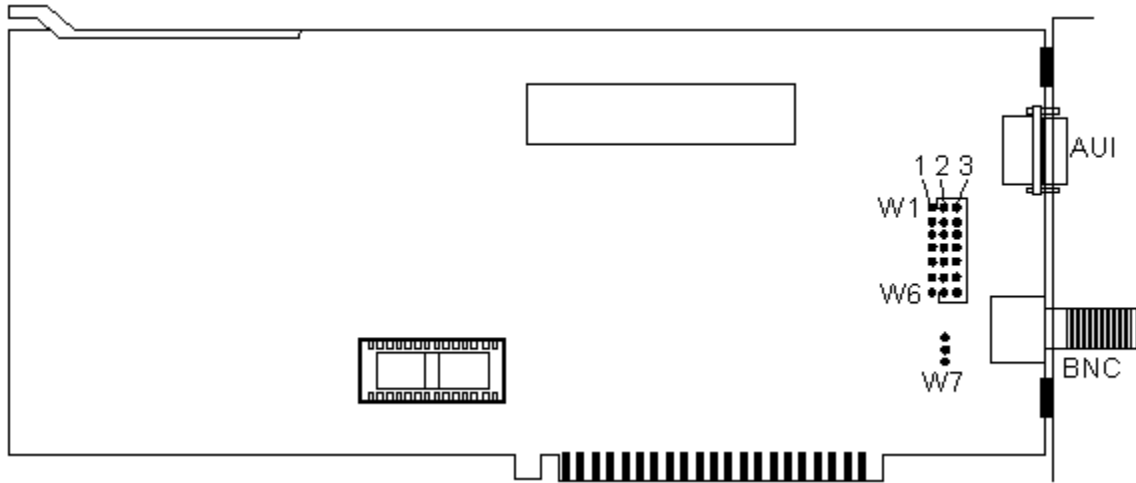
### Cabling for this Adapter

Thick Ethernet via AUI Connector

Thin Ethernet via BNC Connector



## **Artisoft AE-2 (MCA) or AE-3 (MCA)**

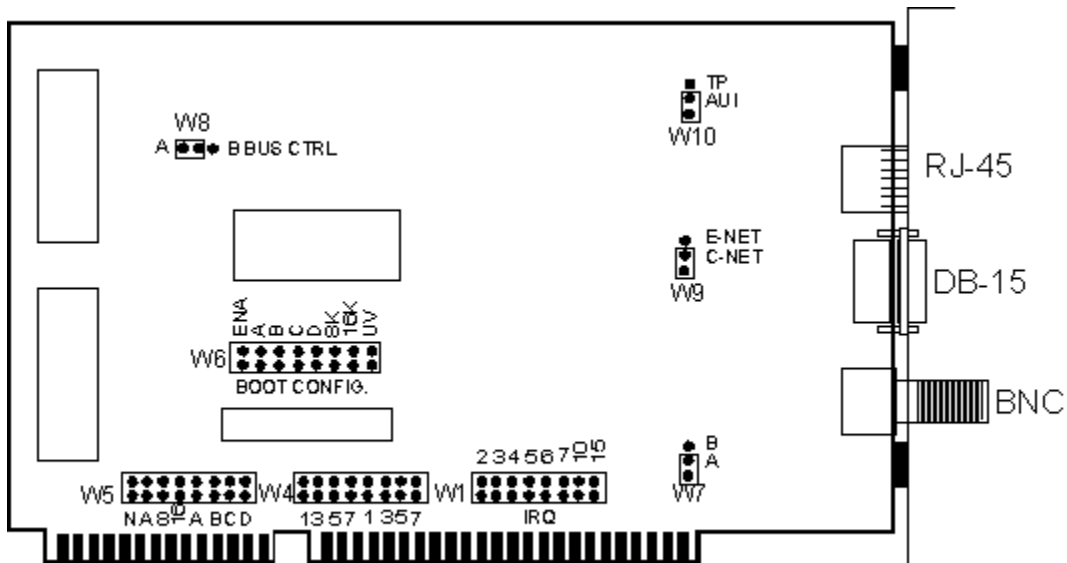


This Network Adapter card is configured using the 'Reference Disk' provided with your Micro-Channel System. For further information consult the documentation provided with the Network Adapter or contact your vendor.

### **Cabling for this Adapter**

- Thick Ethernet via AUI Connector
- Thin Ethernet via BNC Connector

## Artisoft AE-3



This is the Artisoft AE-3 Network Adapter card shown. Listed below are the possible Interrupt Request Line (IRQ), Base I/O Address, and Base Memory Address jumper/switch configurations:

### Interrupt Request Line (IRQ)

	W1							
	J2	J3	J4	J5	J6	J7	J10	J15
IRQ2	ON	OFF	OFF	OFF	OFF	OFF	OFF	OFF
IRQ3	OFF	ON	OFF	OFF	OFF	OFF	OFF	OFF
IRQ4	OFF	OFF	ON	OFF	OFF	OFF	OFF	OFF
IRQ5	OFF	OFF	OFF	ON	OFF	OFF	OFF	OFF
IRQ6	OFF	OFF	OFF	OFF	ON	OFF	OFF	OFF
IRQ7	OFF	OFF	OFF	OFF	OFF	ON	OFF	OFF
IRQ10	OFF	OFF	OFF	OFF	OFF	OFF	ON	OFF
IRQ15	OFF	OFF	OFF	OFF	OFF	OFF	OFF	ON

### Base I/O Address

	W4			
	A	B	C	D
300h	ON	ON	OFF	OFF
320h	ON	OFF	ON	OFF
340h	OFF	ON	OFF	ON
360h	OFF	OFF	ON	ON

### Base Memory Address

NOT USED

### Cabling for this Adapter

- Unshielded Twisted Pair via RJ-45 Connector
- Thick Ethernet via AUI Connector

Thin Ethernet via BNC Connector



## **Compaq**

Windows 95 Adapter help currently includes the following Compaq network cards:

Compaq 32-Bit Dualspeed Token Ring

## **Compaq 32-Bit Dualspeed Token Ring**

This can be configured using the ECU (EISA Configuration Utility) that ships with most EISA systems. For question about use of the ECU, please consult the documentation that came with your system or contact the manufacturer of the system.

### **Cabling for this Adapter**

- Unshielded Twisted Pair via RJ-45 Connector
- Shielded Twisted Pair (IBM Type 1) via DB-9 Connector

## **DCA**

Windows 95 Adapter help currently includes the following DCA network cards:

DCA 10 Mb MCA

DCA 10 Mb Twisted Pair

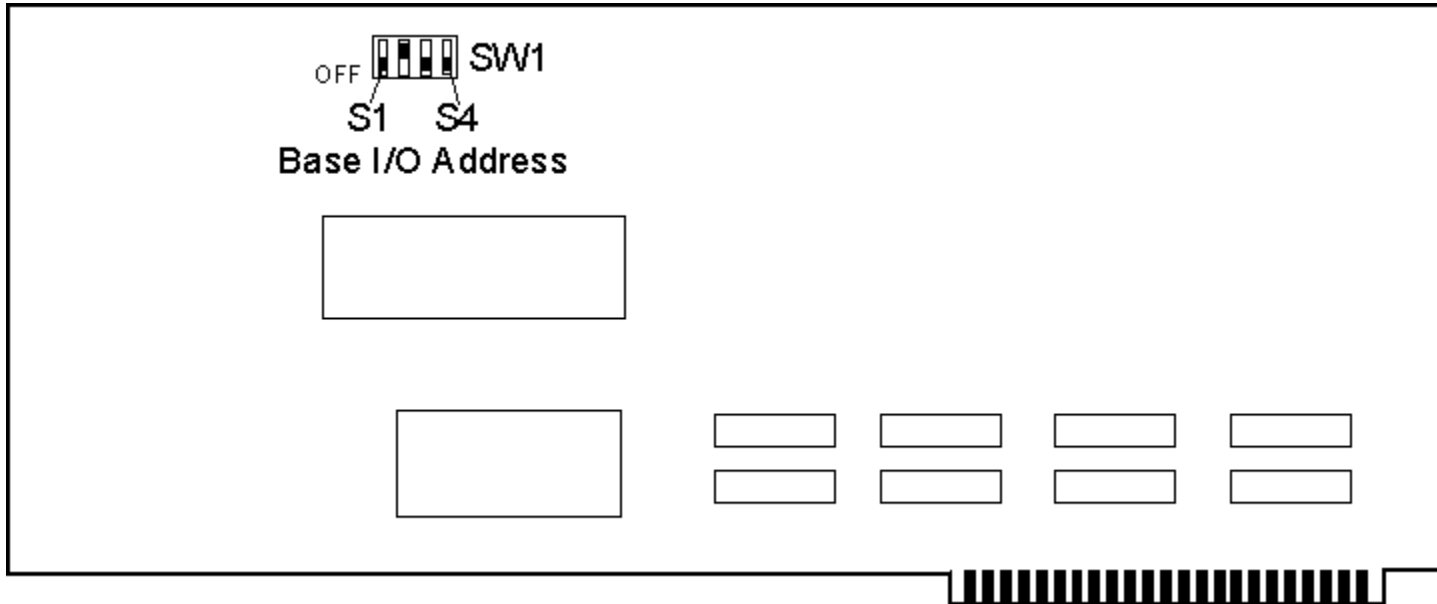
## **DCA 10 Mb MCA**

This Network Adapter card is configured using the 'Reference Disk' provided with your Micro-Channel System. For further information consult the documentation provided with the Network Adapter or contact your vendor.

### **Cabling for this Adapter**

Unshielded Twisted Pair via RJ-45 Connector

## DCA 10 Mb Twisted Pair



This is the DCA 10 Mb Twisted Pair Network Adapter card shown. Listed below are the possible Interrupt Request Line (IRQ), Base I/O Address, and Base Memory Address jumper/switch configurations:

### **Interrupt Request Line (IRQ)**

SOFTWARE CONFIGURABLE

*Default - IRQ3*

### **Base I/O Address**

	SW1			
	S1	S2	S3	S4
300h	OFF	OFF	OFF	OFF
310h	ON	OFF	OFF	OFF
330h	OFF	ON	OFF	OFF
350h	ON	ON	OFF	OFF

### **Base Memory Address**

SOFTWARE CONFIGURABLE

*Default - D000h*

### **Cabling for this Adapter**

Unshielded Twisted Pair via RJ-45 Connector

## **DEC**

Windows 95 Adapter help currently includes the following DEC network cards:

DEC DEPCA

DEC EtherWorks LC

DEC EtherWorks LC/TP

DEC EtherWorks Turbo

DEC EtherWorks Turbo/TP

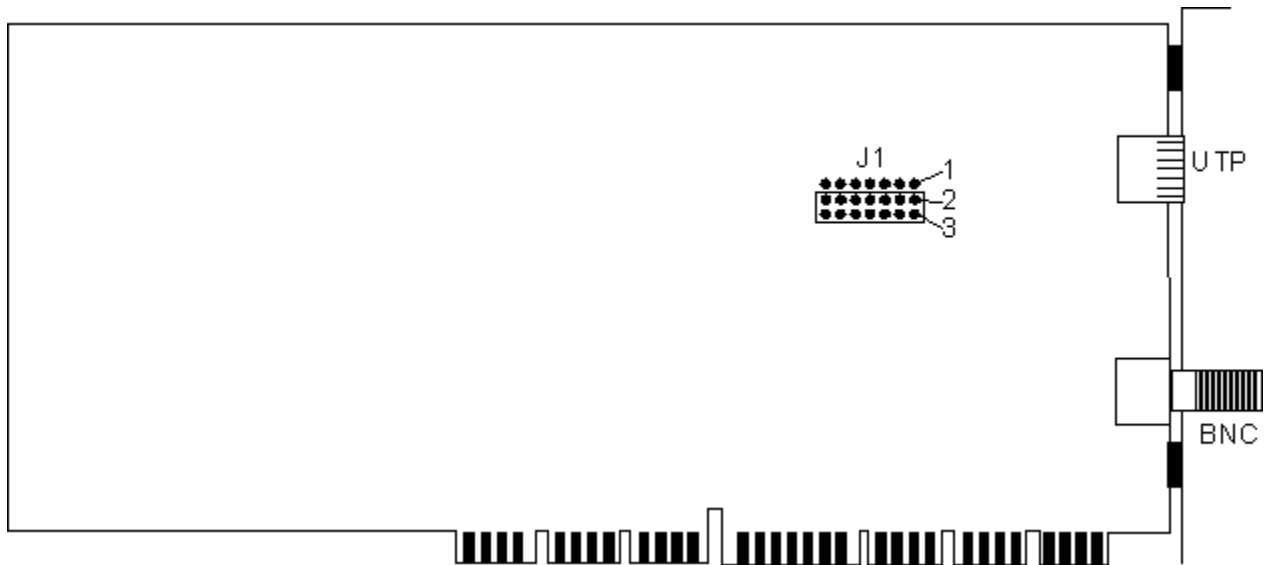
DEC EtherWorks Turbo/TP BNC

DEC EtherWorks MC

DEC EtherWorks MC/TP BNC

DEC EtherWorks EISA/TP BNC

## DEC Etherworks EISA /TP\_BNC



This is the DEC Etherworks EISA/TP\_BNC Network Adapter card shown. Listed below are the possible Interrupt Request Line (IRQ), Base I/O Address, and Base Memory Address jumper/switch configurations:

### **Setup Choice for Windows NT 3.5**

DEC EtherWORKS DEPCA

#### **AUI/TP Jumper J1**

	1	2	3
BNC	OFF	ON	ON
TP	ON	ON	OFF

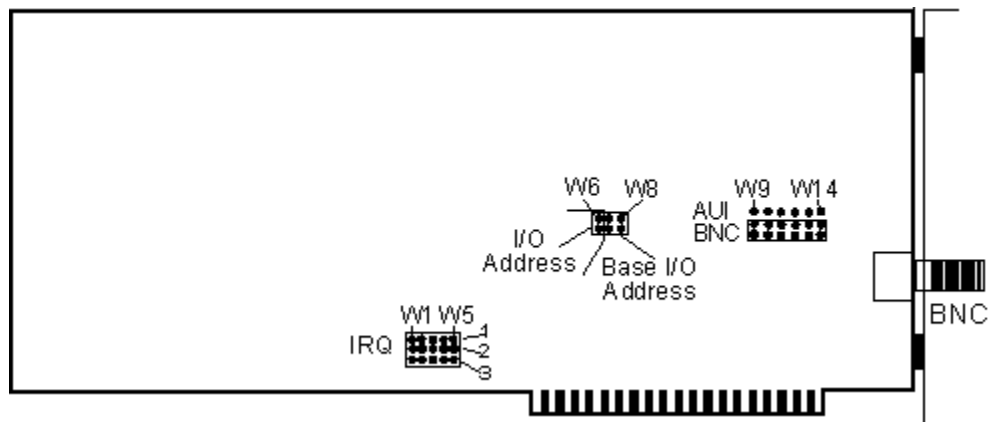
Note - 1, 2, and 3 represent rows of pins that the block jumper fits on (only two of the rows at a time).

#### **Cabling for this Adapter**

Thin Ethernet via BNC Connector

Unshielded Twisted Pair via RJ-45 Connector

## **DEC DEPCA**



This is the DEC DEPCA Network Adapter card shown. Listed below are the possible Interrupt Request Line (IRQ), Base I/O Address, and Base Memory Address jumper/switch configurations:

### **Interrupt Request Line (IRQ)**

	W1	W2	W3	W4	W5
IRQ2	2-3	OFF	OFF	OFF	OFF
IRQ3	OFF	2-3	OFF	OFF	OFF
IRQ4	OFF	OFF	2-3	OFF	OFF
IRQ5	OFF	OFF	OFF	2-3	OFF
IRQ7	OFF	OFF	OFF	OFF	2-3

### **Base I/O Address**

	W6
200h	OFF
300h	ON

### **Base Memory Address - 64K BUFFER (Rev. E Only)**

	W7	W8
D000h	ON	ON
E000h	OFF	ON

### **Base Memory Address - 32K BUFFER (Rev. E Only)**

	W7	W8
C800h	OFF	OFF
D800h	ON	OFF

### **Base Memory Address - 64K BUFFER (Rev. D Only)**

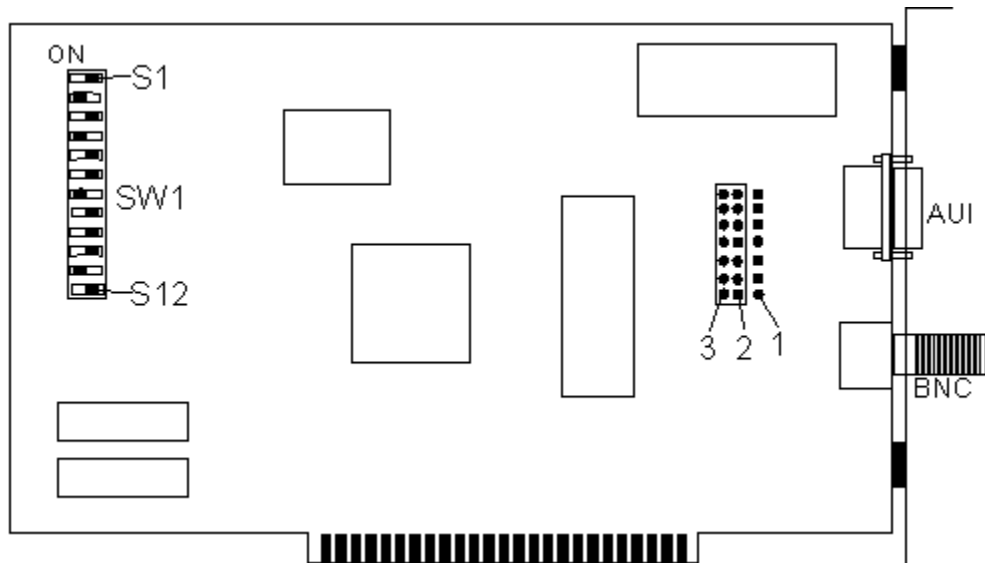
	W7
D000h	ON
E000h	OFF

### **Cabling for this Adapter**

Thin Ethernet via BNC Connector



## **DEC Etherworks LC**



This is the DEC Etherworks LC Network Adapter card shown. Listed below are the possible Interrupt Request Line (IRQ), Base I/O Address, and Base Memory Address jumper/switch configurations:

### **Interrupt Request Line (IRQ)**

	S8	S9	S10	S11	S12
IRQ2	ON	OFF	OFF	OFF	OFF
IRQ3	OFF	ON	OFF	OFF	OFF
IRQ4	OFF	OFF	ON	OFF	OFF
IRQ5	OFF	OFF	OFF	ON	OFF
IRQ7	OFF	OFF	OFF	OFF	ON

### **Base I/O Address**

	S5
200h	OFF
300h	ON

### **Base Memory Address - 64K BUFFER**

	S1	S2	S3	S4
C000h	OFF	ON	ON	ON
D000h	ON	ON	ON	ON
E000h	OFF	OFF	ON	ON

### **Base Memory Address - 32K BUFFER**

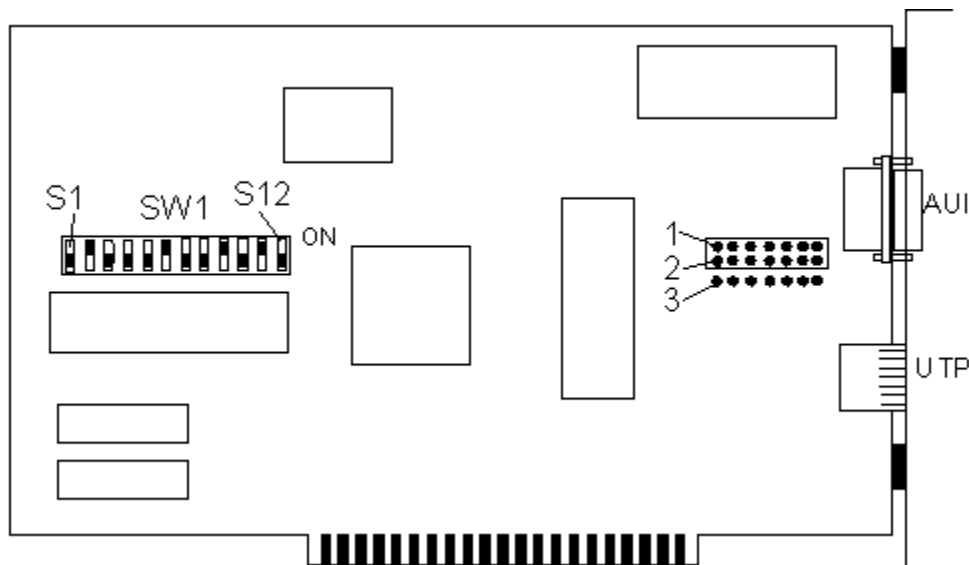
	S1	S2	S3	S4
C800h	OFF	ON	OFF	ON
D800h	ON	ON	OFF	ON
E800h	OFF	OFF	OFF	ON

### **Cabling for this Adapter**

- Thick Ethernet via AUI Connector
- Thin Ethernet via BNC Connector



## DEC Etherworks LC/TP



This is the DEC Etherworks LC/TP Network Adapter card shown. Listed below are the possible Interrupt Request Line (IRQ), Base I/O Address, and Base Memory Address jumper/switch configurations:

### **Interrupt Request Line (IRQ)**

	S8	S9	S10	S11	S12
IRQ2	ON	OFF	OFF	OFF	OFF
IRQ3	OFF	ON	OFF	OFF	OFF
IRQ4	OFF	OFF	ON	OFF	OFF
IRQ5	OFF	OFF	OFF	ON	OFF
IRQ7	OFF	OFF	OFF	OFF	ON

### **Base I/O Address**

	S5
200h	OFF
300h	ON

### **Base Memory Address - 64K BUFFER**

	S1	S2	S3	S4
C000h	OFF	ON	ON	ON
D000h	ON	ON	ON	ON
E000h	OFF	OFF	ON	ON

### **Base Memory Address - 32K BUFFER**

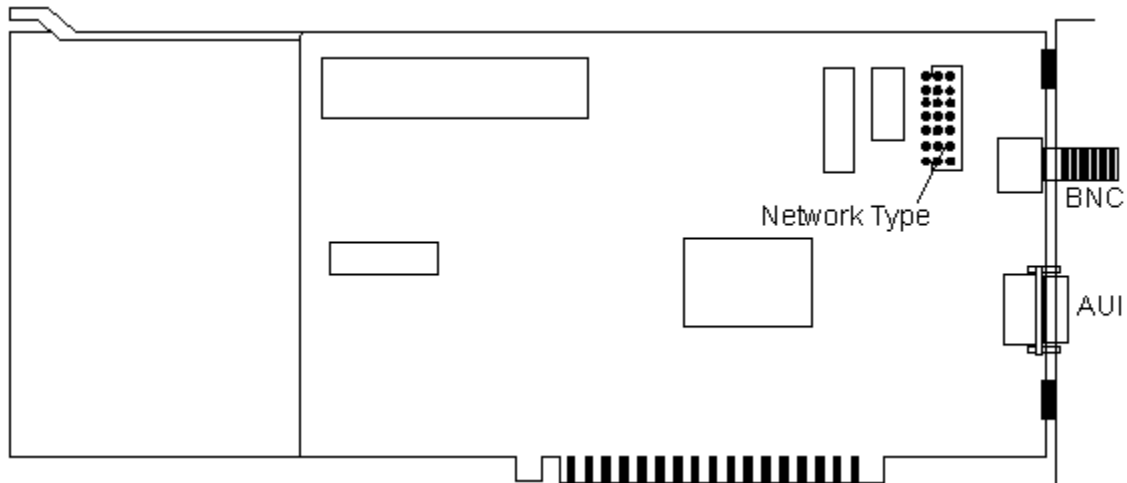
	S1	S2	S3	S4
C800h	OFF	ON	OFF	ON
D800h	ON	ON	OFF	ON
E800h	OFF	OFF	OFF	ON

### **Cabling for this Adapter**

- Thick Ethernet via AUI Connector
- Unshielded Twisted Pair via RJ-45 Connector



## **DEC Etherworks MC**

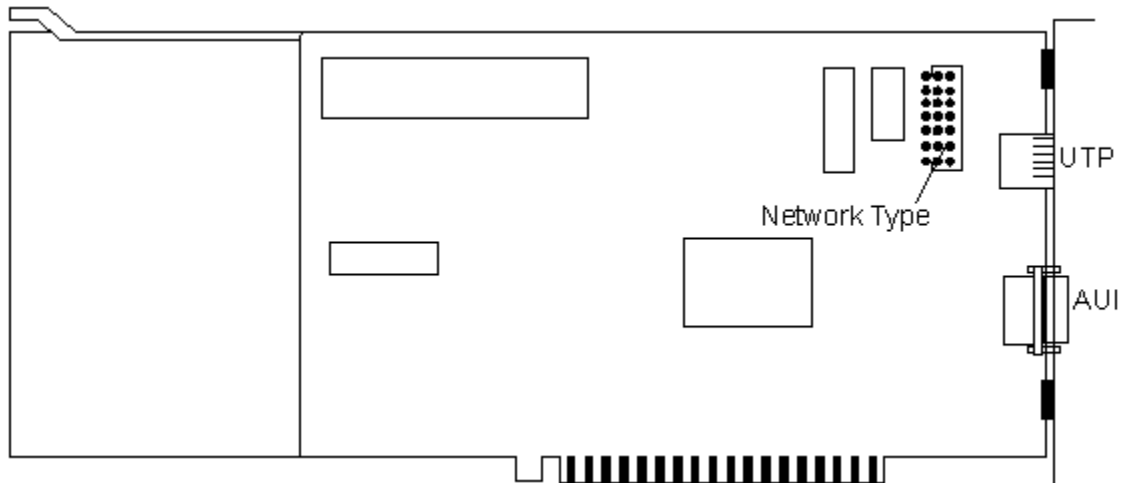


This Network Adapter card is configured using the 'Reference Disk' provided with your Micro-Channel System. For further information consult the documentation provided with the Network Adapter or contact your vendor.

### **Cabling for this Adapter**

- Thick Ethernet via AUI Connector
- Thin Ethernet via BNC Connector

## **DEC Etherworks MC/TP\_BNC**

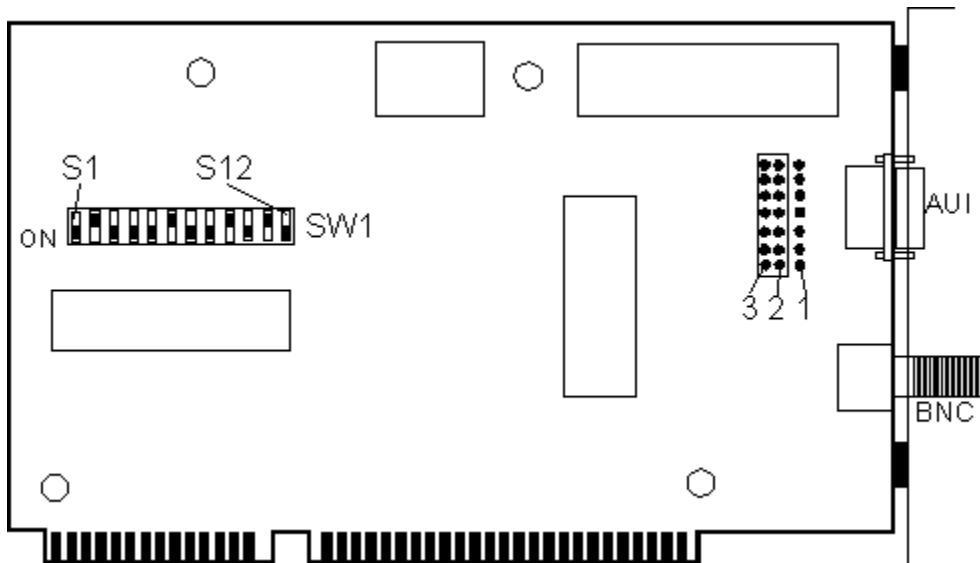


This Network Adapter card is configured using the 'Reference Disk' provided with your Micro-Channel System. For further information consult the documentation provided with the Network Adapter or contact your vendor.

### **Cabling for this Adapter**

- Unshielded Twisted Pair via RJ-45 Connector
- Thick Ethernet via AUI Connector

## **DEC Etherworks Turbo**



This is the DEC Etherworks Turbo Network Adapter card shown. Listed below are the possible Interrupt Request Line (IRQ), Base I/O Address, and Base Memory Address jumper/switch configurations:

### **Interrupt Request Line (IRQ)**

	S8	S9	S10	S11	S12
IRQ5	ON	OFF	OFF	OFF	OFF
IRQ9	OFF	ON	OFF	OFF	OFF
IRQ10	OFF	OFF	ON	OFF	OFF
IRQ11	OFF	OFF	OFF	ON	OFF
IRQ15	OFF	OFF	OFF	OFF	ON

### **Base I/O Address**

	S5
200h	OFF
300h	ON

### **Base Memory Address - 64K BUFFER**

	S1	S2	S3	S4
C000h	ON	ON	ON	ON
D000h	ON	OFF	ON	ON
E000h	OFF	ON	ON	ON

### **Base Memory Address - 32K BUFFER**

	S1	S2	S3	S4
C800h	ON	ON	OFF	OFF
D800h	ON	OFF	OFF	OFF
E800h	OFF	ON	OFF	OFF

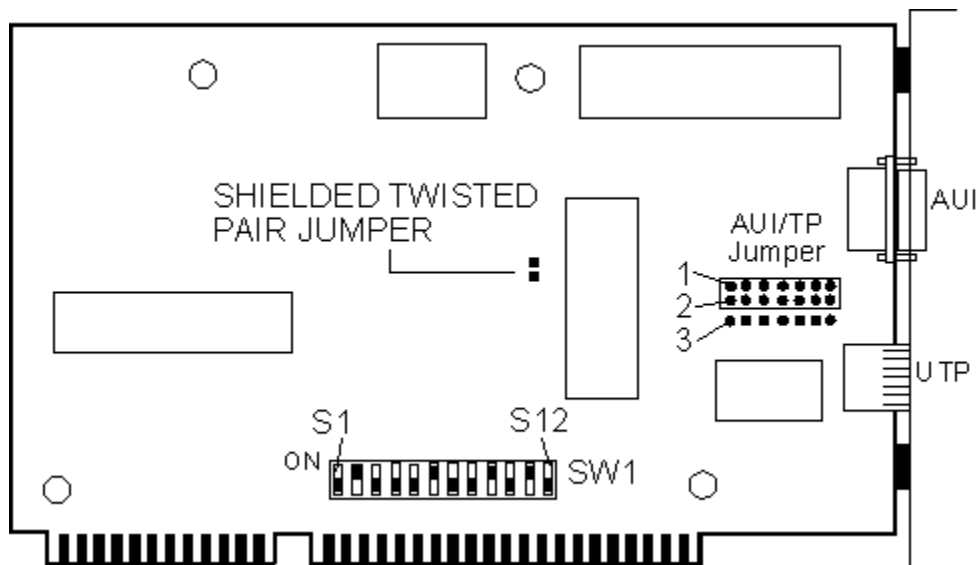
### **Cabling for this Adapter**

- Thick Ethernet via AUI Connector
- Thin Ethernet via BNC Connector





## **DEC Etherworks Turbo/TP**



This is the DEC Etherworks Turbo/TP Network Adapter card shown. Listed below are the possible Interrupt Request Line (IRQ), Base I/O Address, and Base Memory Address jumper/switch configurations:

### **Interrupt Request Line (IRQ)**

	S8	S9	S10	S11	S12
IRQ5	ON	OFF	OFF	OFF	OFF
IRQ9	OFF	ON	OFF	OFF	OFF
IRQ10	OFF	OFF	ON	OFF	OFF
IRQ11	OFF	OFF	OFF	ON	OFF
IRQ15	OFF	OFF	OFF	OFF	ON

### **Base I/O Address**

	S5
200h	OFF
300h	ON

### **Base Memory Address - 64K BUFFER**

	S1	S2	S3	S4
C000h	ON	ON	ON	ON
D000h	ON	OFF	ON	ON
E000h	OFF	ON	ON	ON

### **Base Memory Address - 32K BUFFER**

	S1	S2	S3	S4
C800h	ON	ON	OFF	OFF
D800h	ON	OFF	OFF	OFF
E800h	OFF	ON	OFF	OFF

### **AUI/TP Jumper**

	1	2	3
AUI	ON	ON	OFF

TP    OFF    ON    ON

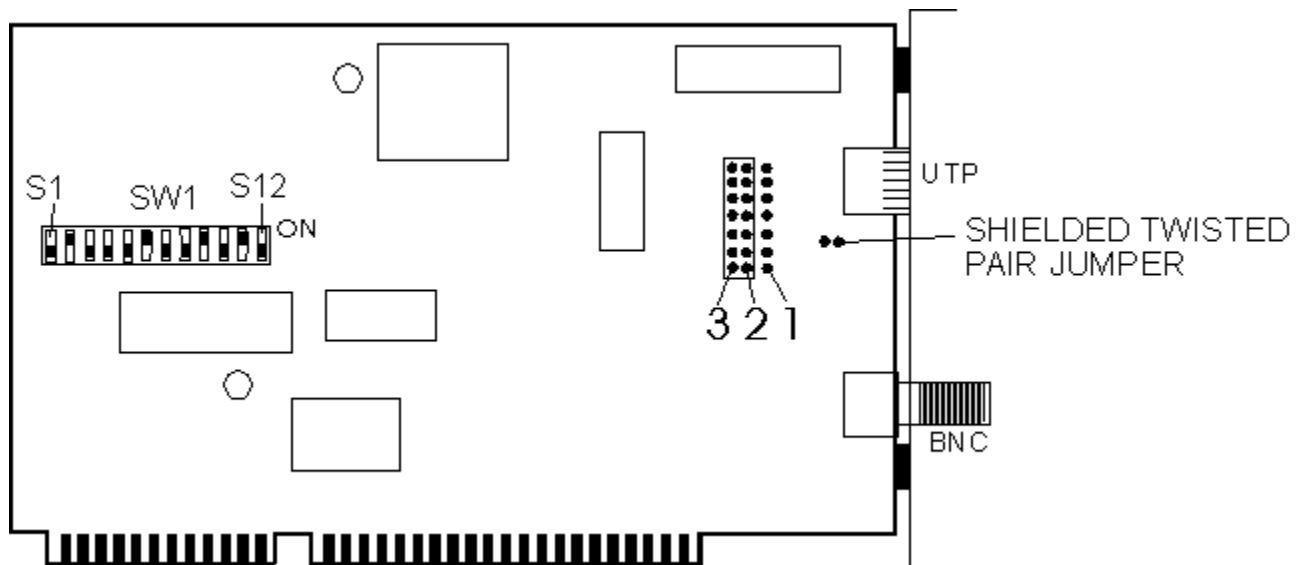
Note - 1, 2, and 3 represent rows of pins that the block jumper fits on (only two of the rows at a time).

**Cabling for this Adapter**

Thick Ethernet via AUI Connector

Unshielded Twisted Pair via RJ-45 Connector

## DEC Etherworks Turbo/TP\_BNC



This is the DEC Etherworks Turbo/TP\_BNC Network Adapter card shown. Listed below are the possible Interrupt Request Line (IRQ), Base I/O Address, and Base Memory Address jumper/switch configurations:

### **Interrupt Request Line (IRQ)**

	S8	S9	S10	S11	S12
IRQ5	ON	OFF	OFF	OFF	OFF
IRQ9	OFF	ON	OFF	OFF	OFF
IRQ10	OFF	OFF	ON	OFF	OFF
IRQ11	OFF	OFF	OFF	ON	OFF
IRQ15	OFF	OFF	OFF	OFF	ON

### **Base I/O Address**

	S5
200h	OFF
300h	ON

### **Base Memory Address - 64K BUFFER**

	S1	S2	S3	S4
C000h	ON	ON	ON	ON
D000h	ON	OFF	ON	ON
E000h	OFF	ON	ON	ON

### **Base Memory Address - 32K BUFFER**

	S1	S2	S3	S4
C800h	ON	ON	OFF	OFF
D800h	ON	OFF	OFF	OFF
E800h	OFF	ON	OFF	OFF

### **Cabling for this Adapter**

- Unshielded Twisted Pair via RJ-45 Connector
- Thin Ethernet via BNC Connector

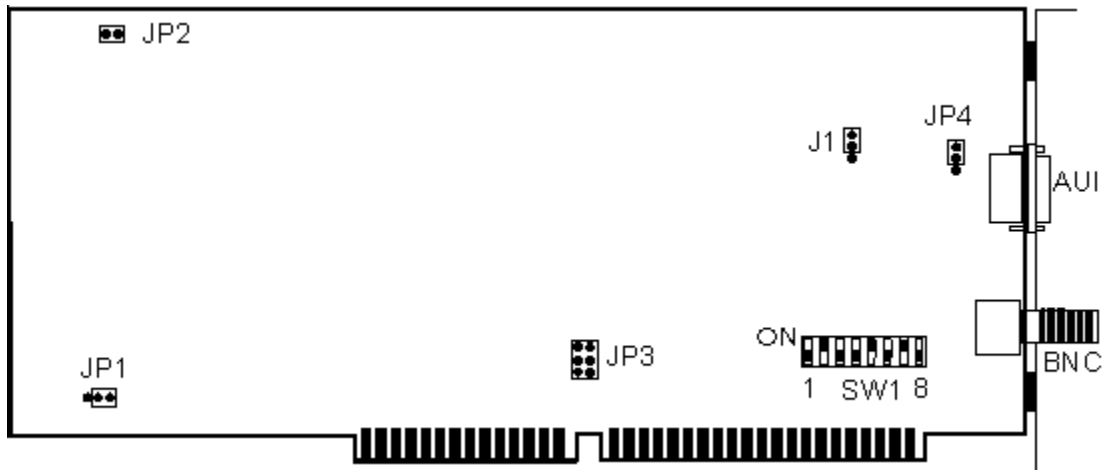


## **Everex**

Windows 95 Adapter help currently includes the following Everex network cards:

Everex Speedlink /PC16

## Everex Speedlink /PC16



This is the Everex Speedlink /PC16 Network Adapter card shown. Listed below are the possible Interrupt Request Line (IRQ), Base I/O Address, and Base Memory Address jumper/switch configurations:

### **Interrupt Request Line (IRQ)**

SOFTWARE CONFIGURABLE

### **Interrupt Request Line (IRQ)**

*Default - IRQ4*

### **I/O BASE ADDRESS**

	SW1							
	S1	S2	S3	S4	S5	S6	S7	S8
340h	ON	ON	ON	ON	OFF	ON	OFF	OFF
348h	ON	OFF	ON	ON	OFF	ON	OFF	OFF
350h	ON	ON	OFF	ON	OFF	ON	OFF	OFF
358h	ON	OFF	OFF	ON	OFF	ON	OFF	OFF
360h	ON	ON	ON	OFF	OFF	ON	OFF	OFF
368h	ON	OFF	ON	OFF	OFF	ON	OFF	OFF
370h	ON	ON	OFF	OFF	OFF	ON	OFF	OFF
378h	ON	OFF	OFF	OFF	OFF	ON	OFF	OFF
390h	ON	ON	OFF	ON	ON	OFF	OFF	OFF
398h	ON	OFF	OFF	ON	ON	OFF	OFF	OFF

### **Base Memory Address**

NOT USED

### **Cabling for this Adapter**

Thick Ethernet via AUI Connector

Thin Ethernet via BNC Connector

## **HP**

Windows 95 Adapter help currently includes the following HP network cards:

HP MC LAN Adapter/16 TP (HP27246A)

HP PC LAN Adapter/8 TL (HP27250A)

HP PC LAN Adapter/8 TP (HP27245A)

HP PC LAN Adapter/16 TP HP(27247A)

HP PC LAN Adapter/16 TL Plus (HP27252A)

HP PC LAN Adapter/16 TP Plus (HP27247B)

HP StarLAN Adapter

HP StarLAN MCA Adapter

## **HP MC LAN Adapter/16 TP**

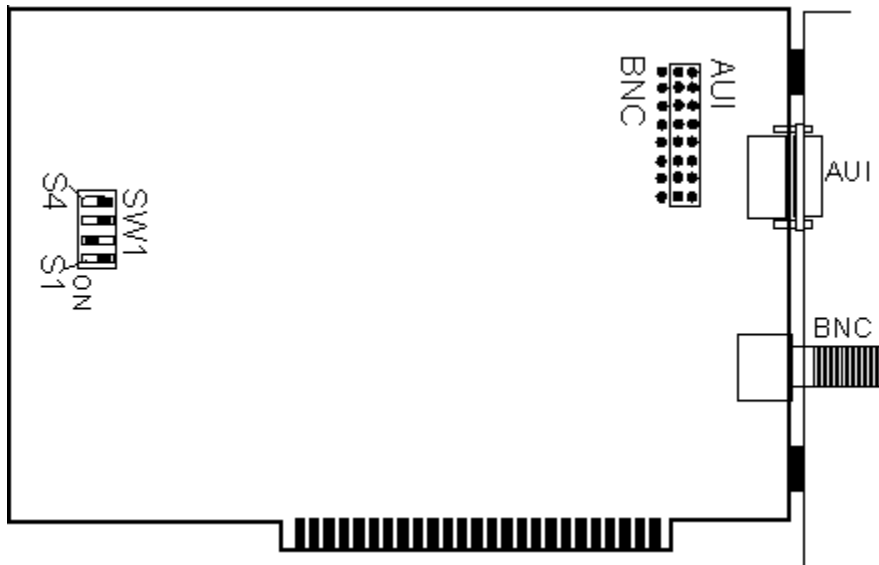
This Network Adapter card is configured using the 'Reference Disk' provided with your Micro-Channel System. For further information consult the documentation provided with the Network Adapter or contact your vendor.

### **Cabling for this Adapter**

Unshielded Twisted Pair via RJ-45 Connector



## HP PC LAN Adapter/8 TL



This is the HP PC LAN Adapter/8 TL Network Adapter card shown. Listed below are the possible Interrupt Request Line (IRQ), Base I/O Address, and Base Memory Address jumper/switch configurations:

### **Interrupt Request Line (IRQ)**

SOFTWARE CONFIGURABLE

*Default - IRQ3*

### **Base I/O Address**

	SW1		
	S1	S2	S3
200h	OFF	OFF	OFF
240h	OFF	OFF	ON
280h	OFF	ON	OFF
2C0h	OFF	ON	ON
300h	ON	OFF	OFF
320h	ON	OFF	ON
340h	ON	ON	OFF

### **Base Memory Address**

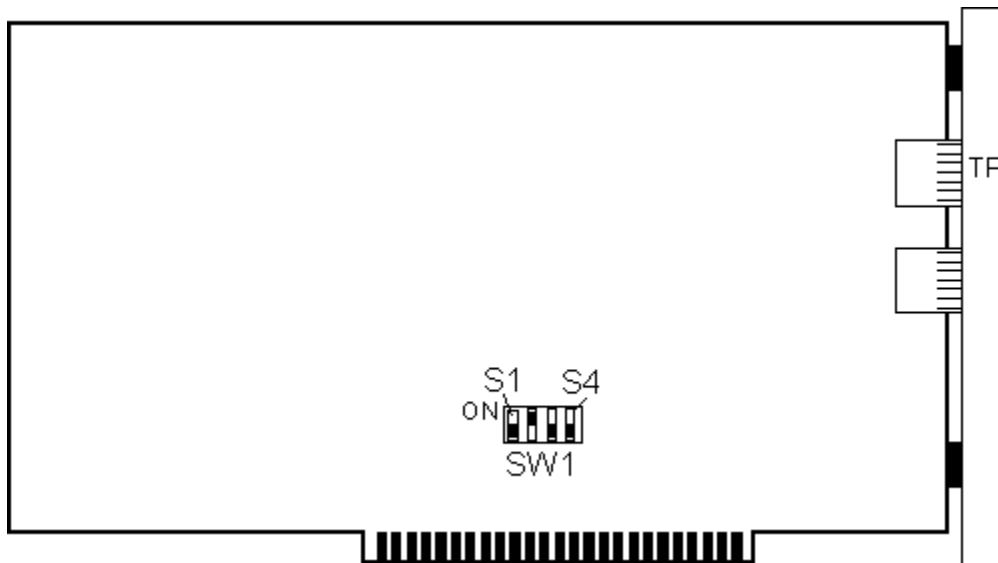
NOT USED

### **Cabling for this Adapter**

Thick Ethernet via AUI Connector

Thin Ethernet via BNC Connector

## HP PC LAN Adapter/8 TP



This is the HP PC LAN Adapter/8 TP Network Adapter card shown. Listed below are the possible Interrupt Request Line (IRQ), Base I/O Address, and Base Memory Address jumper/switch configurations:

### **Interrupt Request Line (IRQ)**

SOFTWARE CONFIGURABLE

### **Base I/O Address**

	SW1		
	S1	S2	S3
200h	OFF	OFF	OFF
240h	OFF	OFF	ON
280h	OFF	ON	OFF
2C0h	OFF	ON	ON
300h	ON	OFF	OFF
320h	ON	OFF	ON
340h	ON	ON	OFF

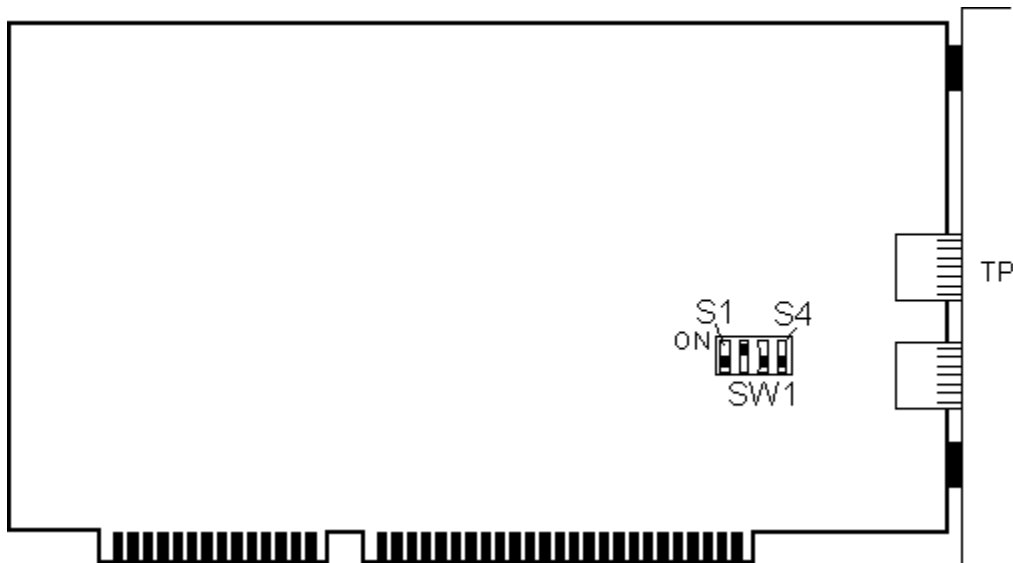
### **Base Memory Address**

NOT USED

### **Cabling for this Adapter**

Unshielded Twisted Pair via RJ-45 Connector

## HP PC LAN Adapter/16 TP



This is the HP PC LAN Adapter/16 TP Network Adapter card shown. Listed below are the possible Interrupt Request Line (IRQ), Base I/O Address, and Base Memory Address jumper/switch configurations:

### **Interrupt Request Line (IRQ)**

SOFTWARE CONFIGURABLE

*Default - IRQ3*

### **Base I/O Address**

	SW1		
	S1	S2	S3
200h	OFF	OFF	OFF
240h	OFF	OFF	ON
280h	OFF	ON	OFF
2C0h	OFF	ON	ON
300h	ON	OFF	OFF
320h	ON	OFF	ON
340h	ON	ON	OFF

### **Base Memory Address**

NOT USED

### **Cabling for this Adapter**

Unshielded Twisted Pair via RJ-45 Connector

## **HP PC LAN Adapter/16 TL Plus**

This Network Adapter card can be configured using the software supplied by the manufacturer. Please consult the documentation that came with your Network Adapter or contact the manufacturer of the Network Adapter for further information.

### **Cabling for this Adapter**

Thick Ethernet via AUI Connector

Thin Ethernet via BNC Connector

## **HP PC LAN Adapter/16 TP Plus**

This Network Adapter card can be configured using the software supplied by the manufacturer. Please consult the documentation that came with your Network Adapter or contact the manufacturer of the Network Adapter for further information.

### **Interrupt Request Line (IRQ)**

*Default - IRQ3*

### **Base I/O Address**

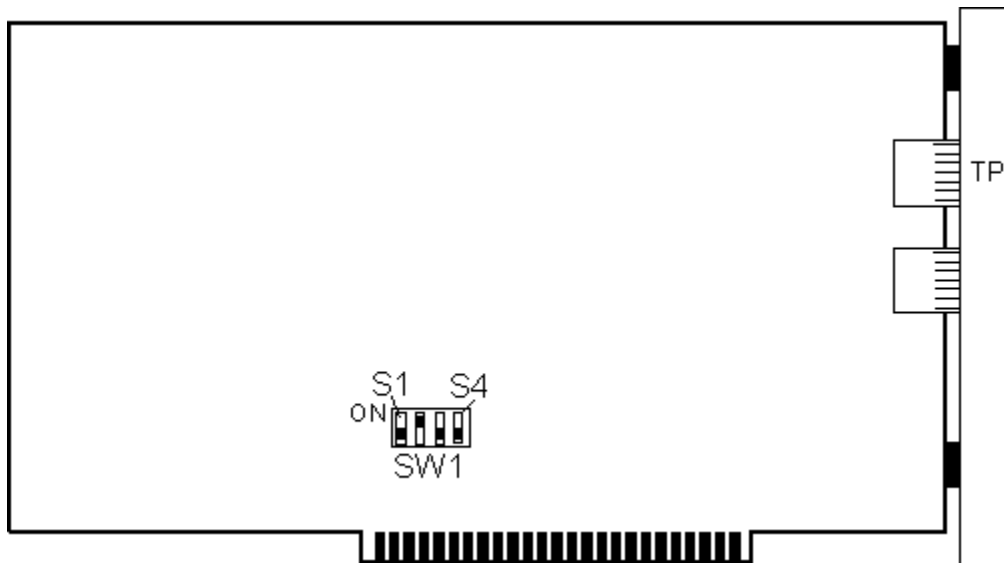
*Default - 300h*

### **Cabling for this Adapter**

Thick Ethernet via AUI Connector

Unshielded Twisted Pair via RJ-45 Connector

## HP StarLAN Adapter



This is the HP StarLAN Adapter Network Adapter card shown. Listed below are the possible Interrupt Request Line (IRQ), Base I/O Address, and Base Memory Address jumper/switch configurations:

### **Interrupt Request Line (IRQ)**

SOFTWARE CONFIGURABLE

### **Base I/O Address**

	SW1		
	S1	S2	S3
200h	OFF	OFF	OFF
240h	OFF	OFF	ON
280h	OFF	ON	OFF
2C0h	OFF	ON	ON
300h	ON	OFF	OFF
320h	ON	OFF	ON
340h	ON	ON	OFF

### **Base Memory Address**

NOT USED

### **Cabling for this Adapter**

Unshielded Twisted Pair via RJ-45 Connector

## **HP StarLAN MCA Adapter**

This Network Adapter card is configured using the 'Reference Disk' provided with your Micro-Channel System. For further information consult the documentation provided with the Network Adapter or contact your vendor.

### **Interrupt Request Line (IRQ)**

*Default - IRQ3*

### **Base I/O Address**

*Default - 400h*

### **Cabling for this Adapter**

Unshielded Twisted Pair via RJ-45 Connector

## **IBM**

Windows 95 Adapter help currently includes the following IBM network cards:

IBM Token Ring 16/4Mbps

IBM Token Ring 16/4Mbps (MCA)

IBM PC Network Adapter II

IBM PC Network Adapter II/A

IBM PC Network Baseband Adapter

IBM PC Network Baseband Adapter/A

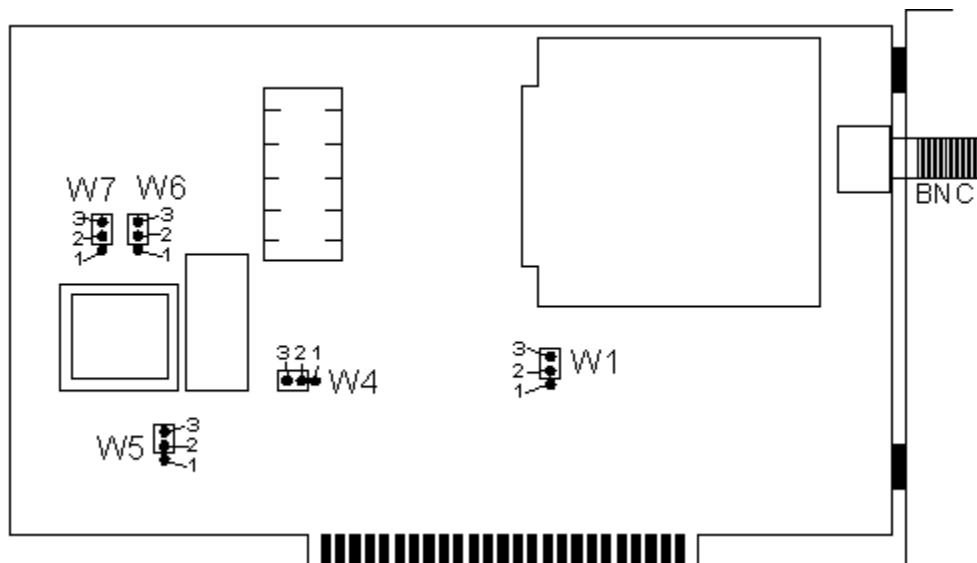
IBM Token Ring

IBM Token Ring (MCA)

IBM Token Ring II



## **IBM PC Network Adapter II**



This is the IBM PC Network Adapter II Network Adapter card shown. Listed below are the possible Interrupt Request Line (IRQ), Base I/O Address, and Base Memory Address jumper/switch configurations:

### **Interrupt Request Line (IRQ)**

W1  
IRQ2 1-2  
IRQ3 2-3

### **Base I/O Address**

W4  
620h 1-2  
628h 2-3

### **Base Memory Address**

W5  
CC00h 1-2  
DC00h 2-3

### **Cabling for this Adapter**

Thin Ethernet via BNC Connector

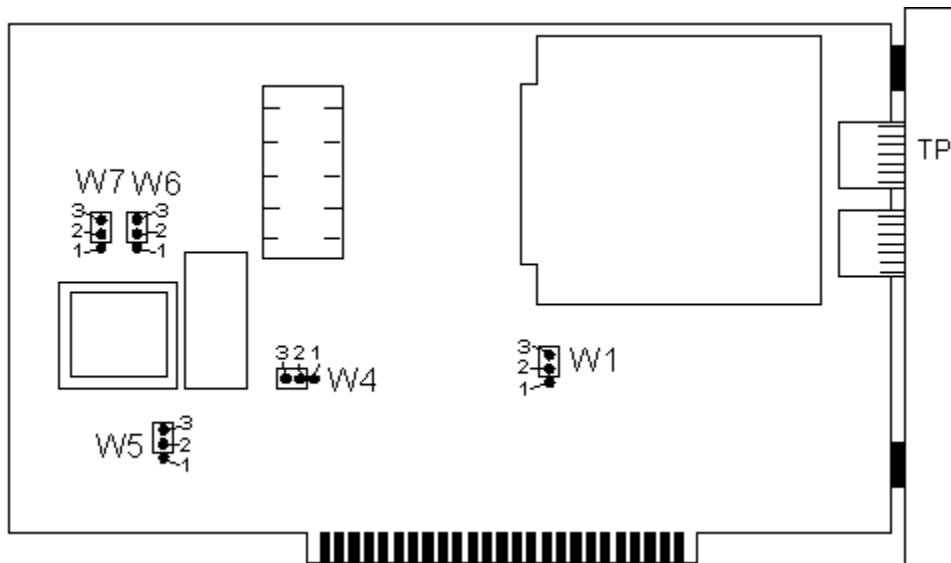
## **IBM PC Network Adapter II/A**

This Network Adapter card is configured using the 'Reference Disk' provided with your Micro-Channel System. For further information consult the documentation provided with the Network Adapter or contact your vendor.

### **Cabling for this Adapter**

Thin Ethernet via BNC Connector

## **IBM PC Network Baseband Adapter**



This is the IBM PC Network Baseband Network Adapter card shown. Listed below are the possible Interrupt Request Line (IRQ), Base I/O Address, and Base Memory Address jumper/switch configurations:

### **Interrupt Request Line (IRQ)**

W1  
IRQ2 1-2  
IRQ3 2-3

### **Base I/O Address**

W4  
620h 1-2  
628h 2-3

### **Base Memory Address**

W5  
CC00h 1-2  
DC00h 2-3

### **Cabling for this Adapter**

Unshielded Twisted Pair via RJ-45 Connector

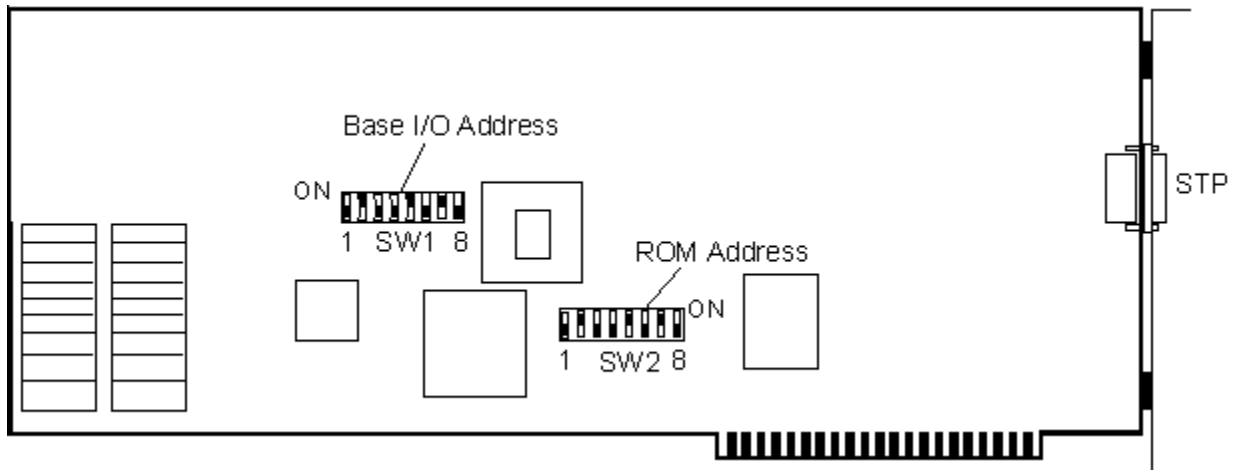
## **IBM PC Network Baseband Adapter/A**

This Network Adapter card is configured using the 'Reference Disk' provided with your Micro-Channel System. For further information consult the documentation provided with the Network Adapter or contact your vendor.

### **Cabling for this Adapter**

Unshielded Twisted Pair via RJ-45 Connector

## **IBM Token Ring**



This is the IBM Token Ring Network Adapter card shown. Listed below are the possible Interrupt Request Line (IRQ), Base I/O Address, and Base Memory Address jumper/switch configurations:

### **Interrupt Request Line (IRQ)**

	SW1	
	S7	S8
IRQ2	ON	ON
IRQ3	ON	OFF
IRQ7	OFF	OFF

### **Base I/O Address**

	SW2	
	S2	
0A20h	OFF	
0A24h	ON	

### **Base Memory Address**

NOT USED

### **Cabling for this Adapter**

Shielded Twisted Pair via DB-9 Connector

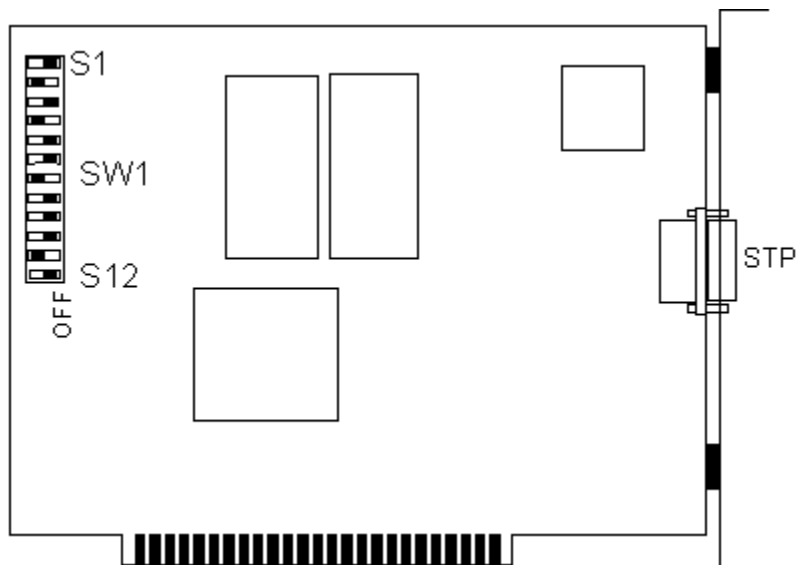
## **IBM Token Ring (MCA)**

This Network Adapter card is configured using the 'Reference Disk' provided with your Micro-Channel System. For further information consult the documentation provided with the Network Adapter or contact your vendor.

### **Cabling for this Adapter**

Shielded Twisted Pair via DB-9 Connector

## **IBM Token Ring II**



This is the IBM Token Ring II Network Adapter card shown. Listed below are the possible Interrupt Request Line (IRQ), Base I/O Address, and Base Memory Address jumper/switch configurations:

### **Interrupt Request Line (IRQ)**

	SW1	
	S7	S8
IRQ2	ON	ON
IRQ3	ON	OFF
IRQ7	OFF	OFF

### **Base I/O Address**

	SW1
	S9
0A20h	ON
0A24h	OFF

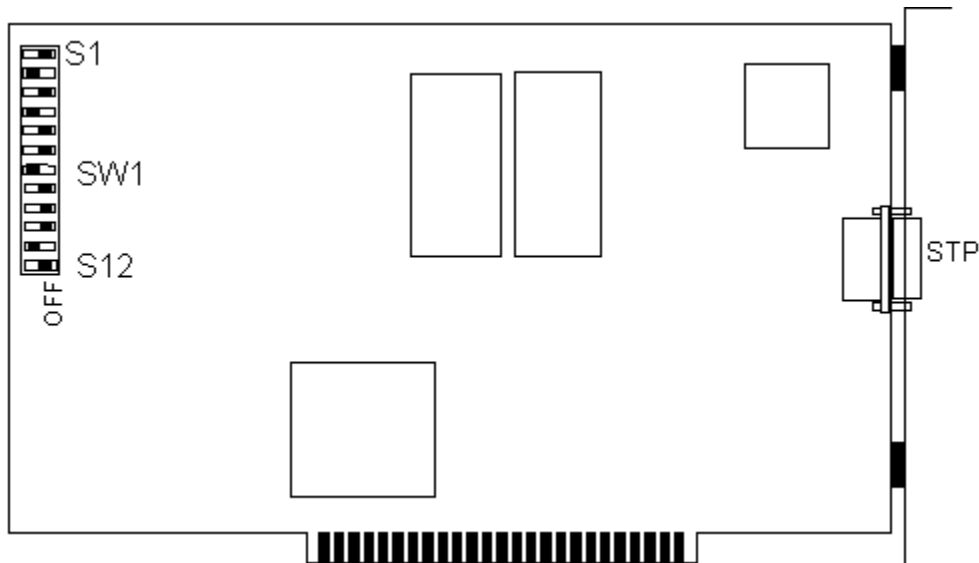
### **Base Memory Address**

SOFTWARE CONFIGURABLE

### **Cabling for this Adapter**

Shielded Twisted Pair via DB-9 Connector

## **IBM Token Ring 16/4Mbs**



This is the IBM Token Ring 16/4Mbs Network Adapter card shown. Listed below are the possible Interrupt Request Line (IRQ), Base I/O Address, and Base Memory Address jumper/switch configurations:

### **Interrupt Request Line (IRQ)**

	SW1	
	S7	S8
IRQ2	ON	ON
IRQ3	ON	OFF
IRQ6	OFF	ON
IRQ7	OFF	OFF

### **Base I/O Address**

	SW1	
	S9	
0A20h	ON	
0A24h	OFF	

### **Base Memory Address**

	SW1					
	S1	S2	S3	S4	S5	S6
C000h	OFF	ON	ON	ON	ON	ON
C200h	OFF	ON	ON	ON	ON	OFF
C400h	OFF	ON	ON	ON	OFF	ON
C600h	OFF	ON	ON	ON	OFF	OFF
C800h	OFF	ON	ON	OFF	ON	ON
CA00h	OFF	ON	ON	OFF	ON	OFF
CC00h	OFF	ON	ON	OFF	OFF	ON
CE00h	OFF	ON	ON	OFF	OFF	OFF
D000h	OFF	ON	OFF	ON	ON	ON
D200h	OFF	ON	OFF	ON	ON	OFF
D400h	OFF	ON	OFF	ON	OFF	ON



D600h	OFF	ON	OFF	ON	OFF	OFF
D800h	OFF	ON	OFF	OFF	ON	ON
DA00h	OFF	ON	OFF	OFF	ON	OFF
DC00h	OFF	ON	OFF	OFF	OFF	ON
DE00h	OFF	ON	OFF	OFF	OFF	OFF

**Cabling for this Adapter**

Shielded Twisted Pair (IBM Type 1) via DB-9 Connector

## **IBM Token Ring 16/4Mbs (MCA)**

This Network Adapter card is configured using the 'Reference Disk' provided with your Micro-Channel System. For further information consult the documentation provided with the Network Adapter or contact your vendor.

### **Cabling for this Adapter**

Shielded Twisted Pair (IBM Type 1) via DB-9 Connector

## **Intel**

Windows 95 Adapter help currently includes the following Intel network cards:

Intel EtherExpress 16

Intel EtherExpress 32

Intel TokenExpress EISA 16/4

Intel TokenExpress ISA 16/4

Intel TokenExpress MCA 16/4

## **Intel EtherExpress 16**

The Intel EtherExpress 16 is software configurable and may be configured through Windows 95 Control Panel, Network section. Please consult the installation instructions that came with your Network Adapter for more information.

### **Cabling for this Adapter**

- Thick Ethernet via AUI Connector

- Thin Ethernet via BNC Connector

or

- Thick Ethernet via AUI Connector

- Unshielded Twisted Pair via RJ-45 Connector  
on the Intel EtherExpress 16TP

## **Intel EtherExpress 32**

This Network Adapter card can be configured using the software supplied by the manufacturer. Please consult the documentation that came with your Network Adapter or contact the manufacturer of the Network Adapter for further information.

### **Cabling for this Adapter**

Thick Ethernet via AUI Connector

Thin Ethernet via BNC Connector

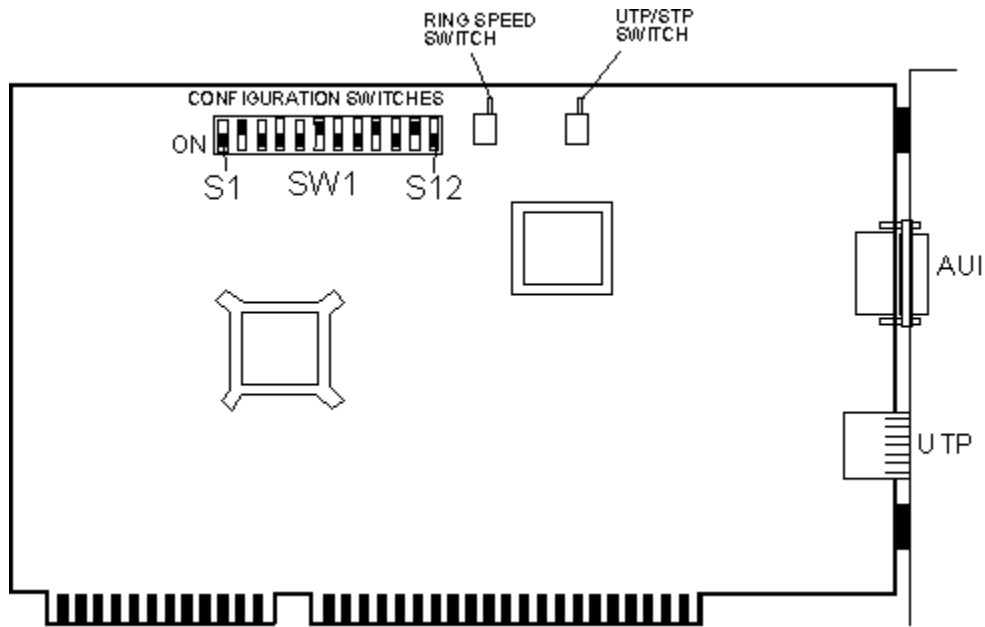
## **Intel TokenExpress EISA 16/4**

This can be configured using the ECU (EISA Configuration Utility) that ships with most EISA systems. For question about use of the ECU, please consult the documentation that came with your system or contact the manufacturer of the system.

### **Cabling for this Adapter**

Unshielded Twisted Pair via RJ-45 Connector  
Shielded Twisted Pair via DB-9 Connector

## **Intel TokenExpress ISA 16/4**



This is the Intel TokenExpress ISA 16/4 Network Adapter card shown. Listed below are the possible Interrupt Request Line (IRQ), Base I/O Address, and Base Memory Address jumper/switch configurations:

### **Interrupt Request Line (IRQ)**

	S7	S8
IRQ2/9	ON	ON
IRQ3	ON	OFF
IRQ10	OFF	ON
IRQ11	OFF	OFF

### **Base I/O Address**

	S9	S10
A20h/A30h	OFF	OFF
A24h/A40h	ON	OFF
A50h/A60h	OFF	ON
A54h/A70h	ON	ON

### **Base Memory Address**

NOT USED

### **Cabling for this Adapter**

- Unshielded Twisted Pair via RJ-45 Connector
- Shielded Twisted Pair via DB-9 Connector

## **Intel TokenExpress MCA 16/4**

This Network Adapter card is configured using the 'Reference Disk' provided with your Micro-Channel System. For further information consult the documentation provided with the Network Adapter or contact your vendor.

### **Cabling for this Adapter**

Unshielded Twisted Pair via RJ-45 Connector  
Shielded Twisted Pair via DB-9 Connector



## **Madge**

Windows 95 Adapter help currently includes the following Madge network cards:

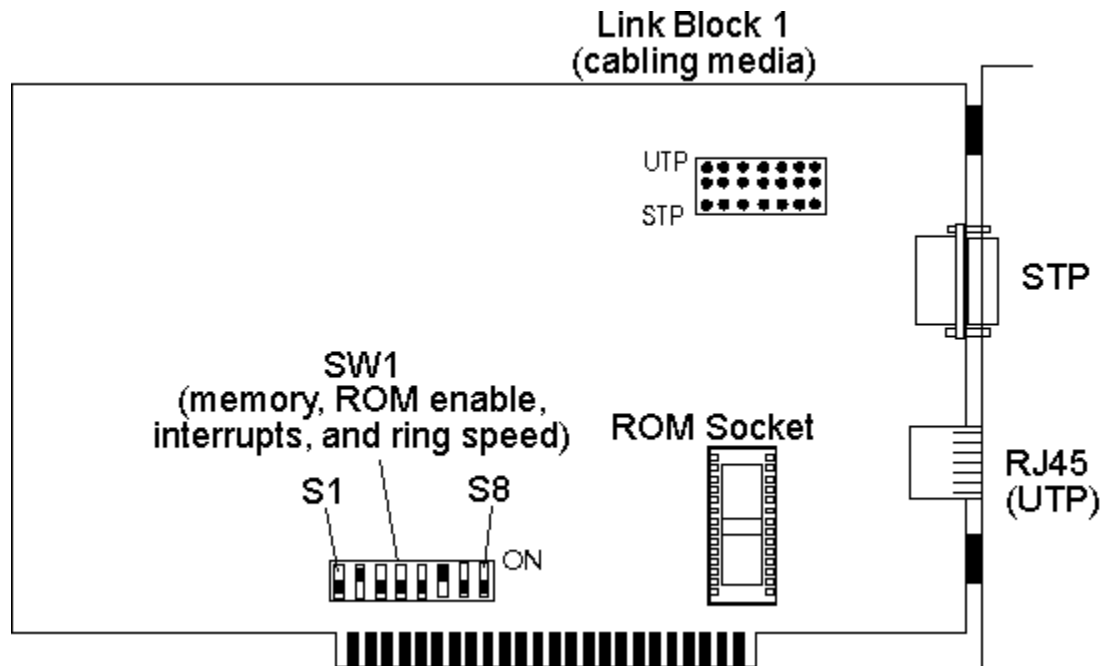
Madge Networks Smart 16/4 XT RingNode

Madge Networks Smart 16/4 AT RingNode

Madge Networks Smart 16/4 EISA RingNode

Madge Networks Smart 16/4 MC RingNode

## **Madge Networks Smart 16/4 XT RingNode**



This is the Madge Networks Smart 16/4 XT RingNode Network Adapter card shown. Listed below are the possible Interrupt Request Line (IRQ), Base I/O Address, and Base Memory Address jumper/switch configurations:

### **Interrupt Request Line (IRQ)**

	SW1			
	S4	S5	S6	S7
IRQ2	OFF	OFF	OFF	ON
IRQ3	OFF	OFF	ON	OFF
IRQ5	OFF	ON	OFF	OFF
IRQ7	ON	OFF	OFF	OFF

### **Base I/O Address**

	SW1	
	S1	S2
0A20h	ON	ON
1A20h	OFF	ON
2A20h	ON	OFF
3A20h	OFF	OFF

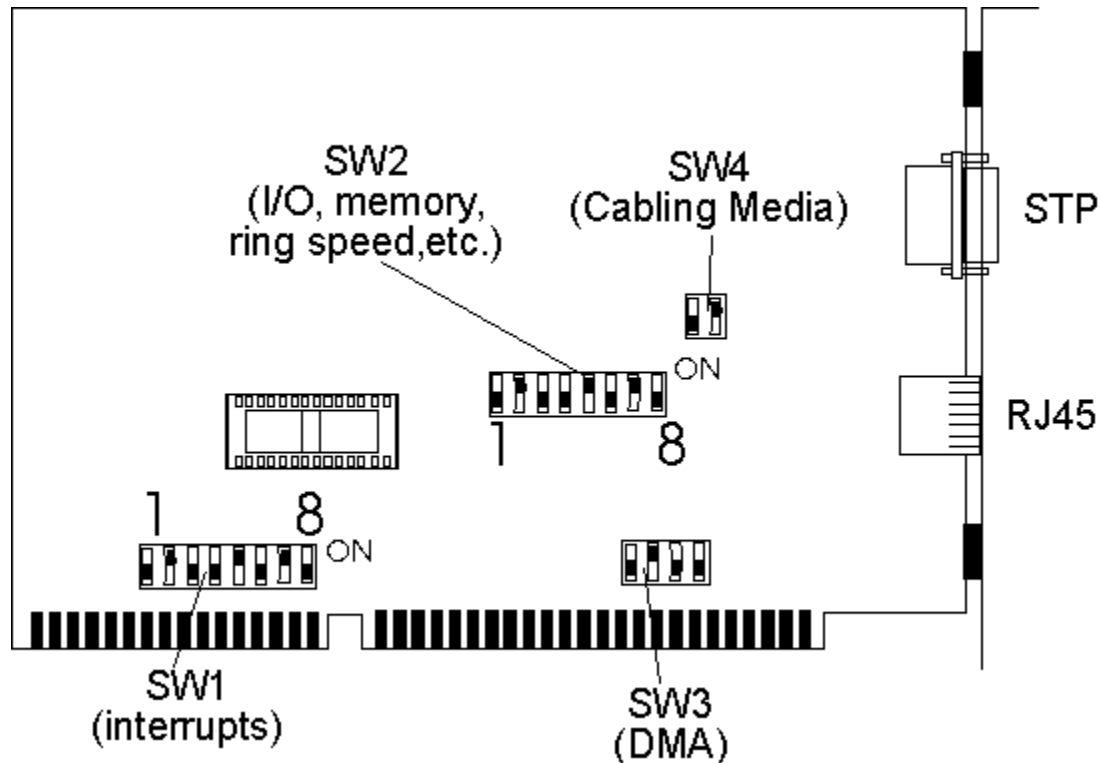
### **Base Memory Address**

NOT USED

### **Cabling for this Adapter**

- Unshielded Twisted Pair via RJ-45 Connector
- Shielded Twisted Pair via DB-9 Connector

## Madge Networks Smart 16/4 AT RingNode



This is the Madge Networks Smart 16/4 AT RingNode Network Adapter card shown. Listed below are the possible Interrupt Request Line (IRQ), Base I/O Address, and Base Memory Address jumper/switch configurations:

### **Interrupt Request Line (IRQ)**

	SW1							
	S1	S2	S3	S4	S5	S6	S7	S8
IRQ2/9	OFF	OFF	OFF	OFF	OFF	OFF	OFF	ON
IRQ3	OFF	OFF	OFF	OFF	OFF	OFF	ON	OFF
IRQ5	OFF	OFF	OFF	OFF	OFF	ON	OFF	OFF
IRQ7	OFF	OFF	OFF	OFF	ON	OFF	OFF	OFF
IRQ10	OFF	OFF	OFF	ON	OFF	OFF	OFF	OFF
IRQ11	OFF	OFF	ON	OFF	OFF	OFF	OFF	OFF
IRQ12	OFF	ON	OFF	OFF	OFF	OFF	OFF	OFF
IRQ15	ON	OFF	OFF	OFF	OFF	OFF	OFF	OFF

### **Base I/O Address**

	SW2	
	S1	S2
0A20h	ON	ON
1A20h	OFF	ON
2A20h	ON	OFF
3A20h	OFF	OFF

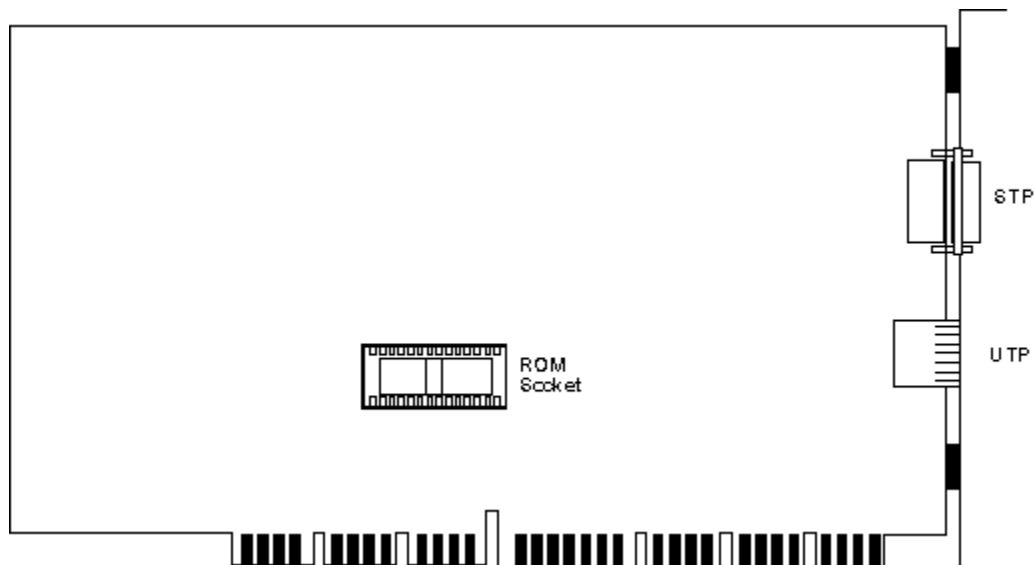
### **Base Memory Address**

NOT USED

**Cabling for this Adapter**

Unshielded Twisted Pair via RJ-45 Connector  
Shielded Twisted Pair via DB-9 Connector

## **Madge Networks Smart 16/4 EISA RingNode**

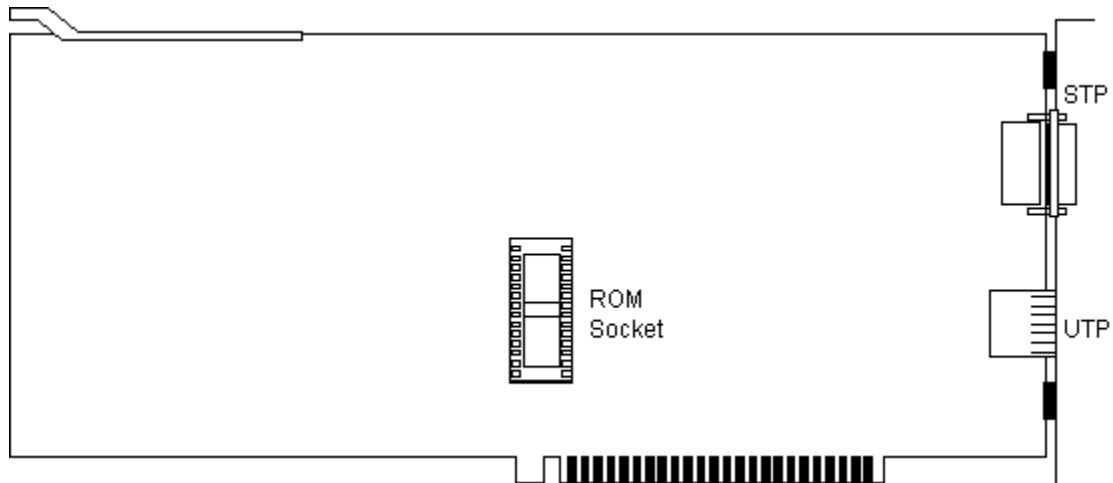


This can be configured using the ECU (EISA Configuration Utility) that ships with most EISA systems. For question about use of the ECU, please consult the documentation that came with your system or contact the manufacturer of the system.

### **Cabling for this Adapter**

- Unshielded Twisted Pair via RJ-45 Connector
- Shielded Twisted Pair via DB-9 Connector

## **Madge Networks Smart 16/4 MC RingNode**



This Network Adapter card is configured using the 'Reference Disk' provided with your Micro-Channel System. For further information consult the documentation provided with the Network Adapter or contact your vendor.

### **Cabling for this Adapter**

- Unshielded Twisted Pair via RJ-45 Connector
- Shielded Twisted Pair via DB-9 Connector

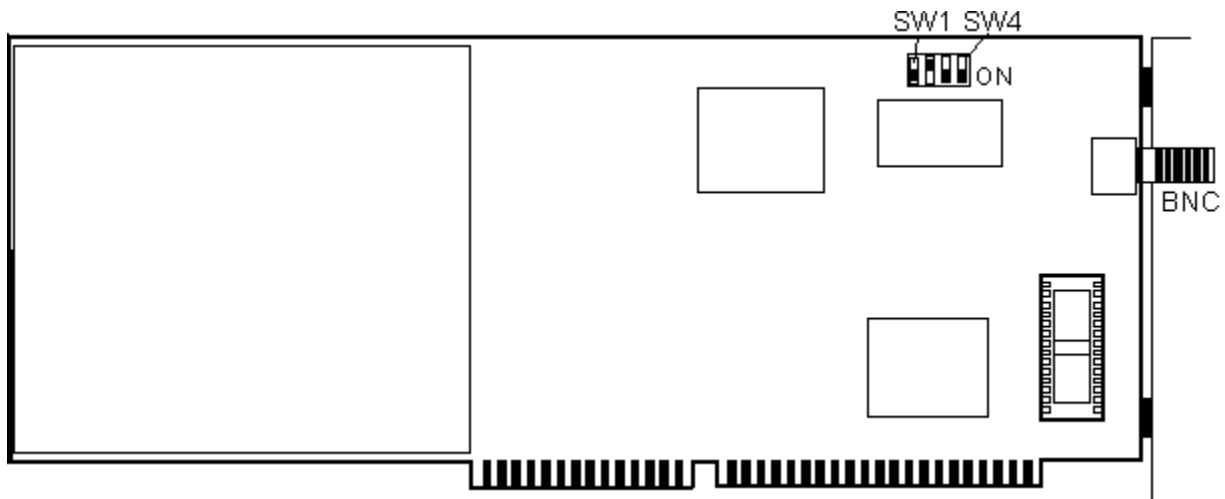
## **NCR**

Windows 95 Adapter help currently includes the following NCR network cards:

[NCR WaveLan AT Adapter](#)

[NCR WaveLan MC Adapter](#)

## NCR WaveLan AT Adapter



This is the NCR WaveLan AT Adapter Network Adapter card shown. Listed below are the possible Interrupt Request Line (IRQ), Base I/O Address, and Base Memory Address jumper/switch configurations:

### **Interrupt Request Line (IRQ)**

NOT USED

### **Base I/O Address**

	SW1	
	S1	S2
300h	OFF	OFF
390h	OFF	ON
3C0h	ON	OFF
3E0h	ON	ON

### **Base Memory Address**

NOT USED

### **Cabling for this Adapter**

Thin Ethernet via BNC Connector



## **NCR WaveLan MC Adapter**

This Network Adapter card is configured using the 'Reference Disk' provided with your Micro-Channel System. For further information consult the documentation provided with the Network Adapter or contact your vendor.

### **Cabling for this Adapter**

Thin Ethernet via BNC Connector

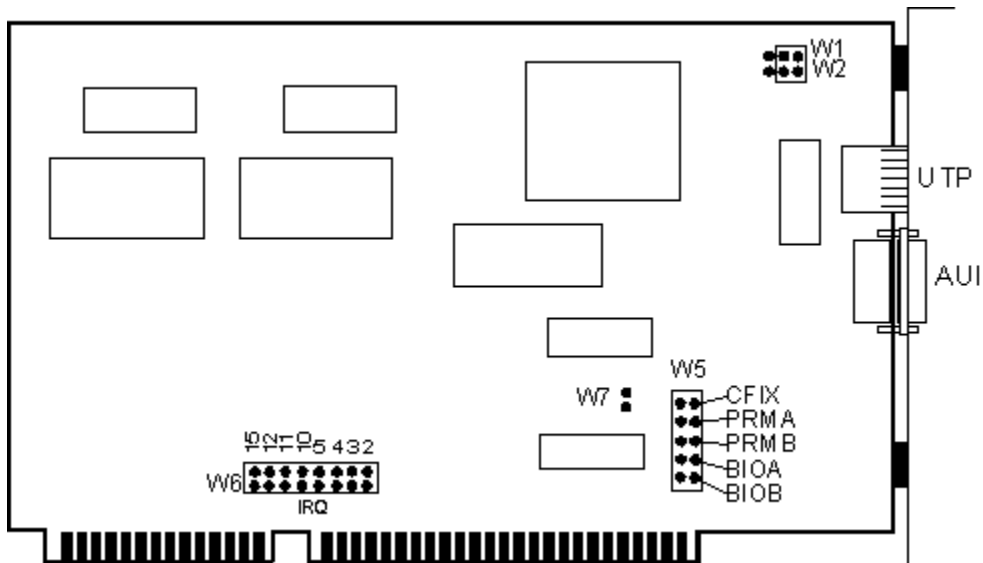
## **Networth**

Windows 95 Adapter help currently includes the following Networth network cards:

Networth EtherneXt 16-bit UTP

Networth EtherneXt 16-bit UTP (MCA)

## Network EtherneXt 16-bit UTP



This is the Network EtherneXt 16-bit UTP Network Adapter card shown. Listed below are the possible Interrupt Request Line (IRQ), Base I/O Address, and Base Memory Address jumper/switch configurations:

### **Interrupt Request Line (IRQ)**

	W6							
	J2	J3	J4	J5	J10	J11	J12	J15
IRQ2	ON	OFF	OFF	OFF	OFF	OFF	OFF	OFF
IRQ3	OFF	ON	OFF	OFF	OFF	OFF	OFF	OFF
IRQ4	OFF	OFF	ON	OFF	OFF	OFF	OFF	OFF
IRQ5	OFF	OFF	OFF	ON	OFF	OFF	OFF	OFF
IRQ10	OFF	OFF	OFF	OFF	ON	OFF	OFF	OFF
IRQ11	OFF	OFF	OFF	OFF	OFF	ON	OFF	OFF
IRQ12	OFF	OFF	OFF	OFF	OFF	OFF	ON	OFF
IRQ15	OFF	OFF	OFF	OFF	OFF	OFF	OFF	ON

### **Base I/O Address**

	W5	
	BIOA	BIOB
300h	ON	ON
320h	OFF	ON
340h	ON	OFF
360h	OFF	OFF

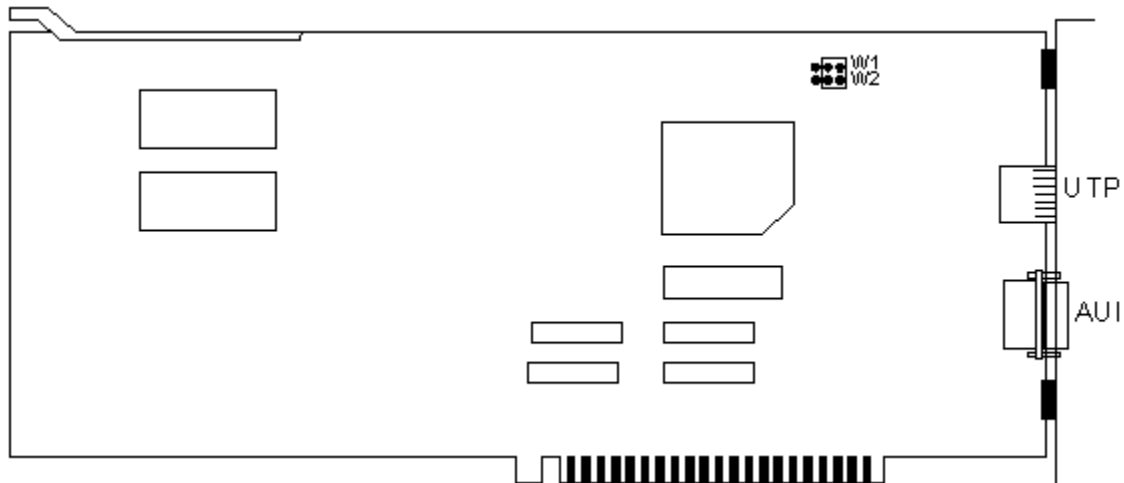
### **Base Memory Address**

NOT USED

### **Cabling for this Adapter**

- Unshielded Twisted Pair via RJ-45 Connector
- Thick Ethernet via AUI Connector

## **Networth EtherneXt 16-bit UTP (MCA)**



This Network Adapter card is configured using the 'Reference Disk' provided with your Micro-Channel System. For further information consult the documentation provided with the Network Adapter or contact your vendor.

### **Cabling for this Adapter**

- Unshielded Twisted Pair via RJ-45 Connector
- Thick Ethernet via AUI Connector

## **Novell**

Windows 95 Adapter help currently includes the following Novell network cards:

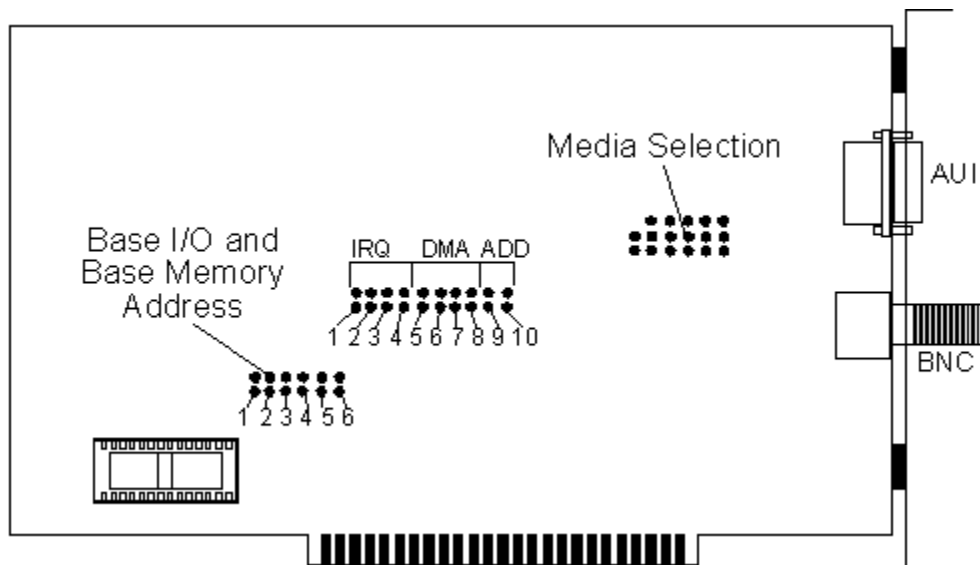
Novell-Anthem NE1000 (Assy. 950-054401)

Novell-Anthem NE1000 (Assy. 810-160-001)

Novell-Anthem NE2000

Novell NE3200Novell-Anthem NE-2

## **Novell-Anthem NE1000 (Assy. 950-054401)**



This is the Novell-Anthem NE1000 Card (Assy. 950-054401) shown. Listed below are the possible Interrupt Request Line (IRQ), Base I/O Address, and Base Memory Address jumper/switch configurations:

### **Interrupt Request Line (IRQ)**

	J1	J2	J3	J4
IRQ2	ON	OFF	OFF	OFF
IRQ3	OFF	ON	OFF	OFF
IRQ4	OFF	OFF	ON	OFF
IRQ5	OFF	OFF	OFF	ON

### **Base I/O Address**

	J9	J10
300h	ON	ON
320h	OFF	ON
340h	ON	OFF
360h	OFF	OFF

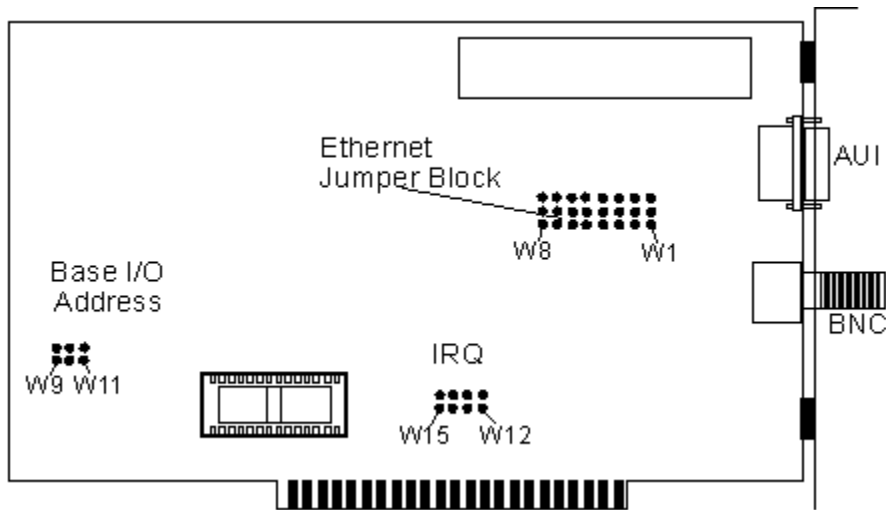
### **Base Memory Address**

NOT USED

### **Cabling for this Adapter**

- Thick Ethernet via AUI Connector
- Thin Ethernet via BNC Connector

## **Novell-Anthem NE1000 (Assy. 810-160-001)**



This is the Novell-Anthem NE1000 Card (Assy. 810-160-001) shown. Listed below are the possible Interrupt Request Line (IRQ), Base I/O Address, and Base Memory Address jumper/switch configurations:

### **Interrupt Request Line (IRQ)**

	W12	W13	W14	W15
IRQ2	ON	OFF	OFF	OFF
IRQ3	OFF	ON	OFF	OFF
IRQ4	OFF	OFF	ON	OFF
IRQ5	OFF	OFF	OFF	ON

### **Base I/O Address**

	W9	W10	W11
300h	ON	ON	OFF
320h	OFF	ON	OFF
340h	ON	OFF	OFF
360h	OFF	OFF	OFF

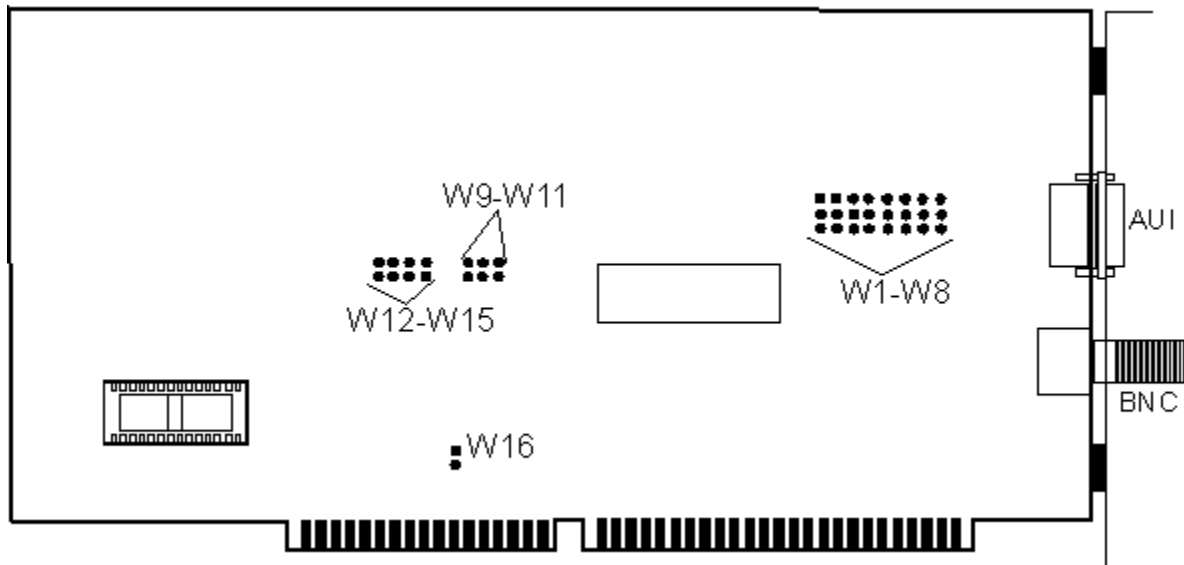
### **Base Memory Address**

NOT USED

### **Cabling for this Adapter**

- Thick Ethernet via AUI Connector
- Thin Ethernet via BNC Connector

## **Novell-Anthem NE2000**



This is the Novell-Anthem NE2000 Network Adapter card shown. Listed below are the possible Interrupt Request Line (IRQ), Base I/O Address, and Base Memory Address jumper/switch configurations:

### **Interrupt Request Line (IRQ)**

	W12	W13	W14	W15
IRQ2	ON	OFF	OFF	OFF
IRQ3	OFF	ON	OFF	OFF
IRQ4	OFF	OFF	ON	OFF
IRQ5	OFF	OFF	OFF	ON

### **Base I/O Address**

	W9	W10	W11
300h	ON	ON	OFF
320h	OFF	ON	OFF
340h	ON	OFF	OFF
360h	OFF	OFF	OFF

### **Base Memory Address**

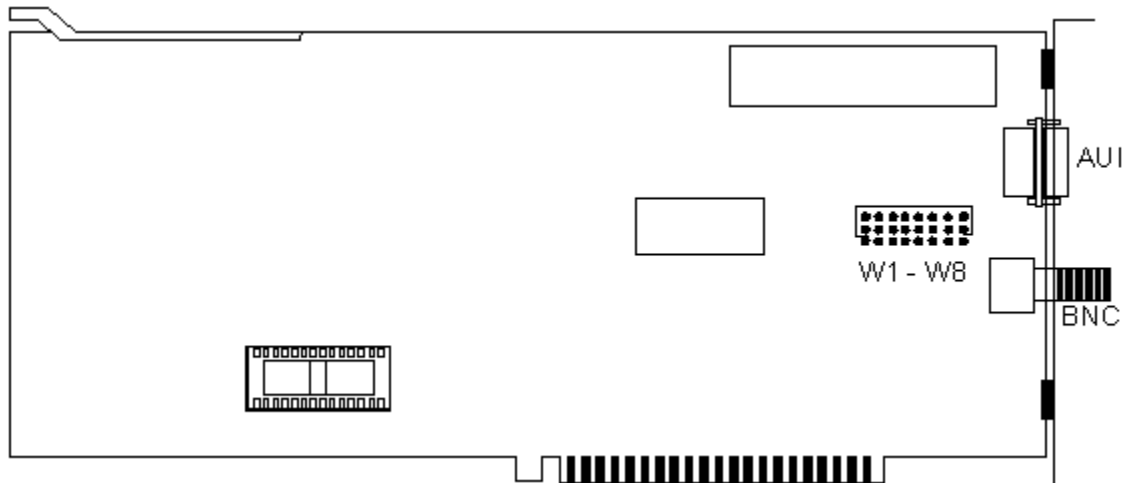
NOT USED

### **Cabling for this Adapter**

- Thick Ethernet via AUI Connector
- Thin Ethernet via BNC Connector



## **Novell-Anthem NE-2**



This Network Adapter card is configured using the 'Reference Disk' provided with your Micro-Channel System. For further information consult the documentation provided with the Network Adapter or contact your vendor.

### **Interrupt Request Line (IRQ)**

*Default - IRQ3*

### **Base I/O Address**

*Default - 1000h*

### **Cabling for this Adapter**

- Thick Ethernet via AUI Connector
- Thin Ethernet via BNC Connector

## **Novell NE3200**

This can be configured using the ECU (EISA Configuration Utility) that ships with most EISA systems. For question about use of the ECU, please consult the documentation that came with your system or contact the manufacturer of the system.

### **Cabling for this Adapter**

Thick Ethernet via AUI Connector

Thin Ethernet via BNC Connector

## **Olicom**

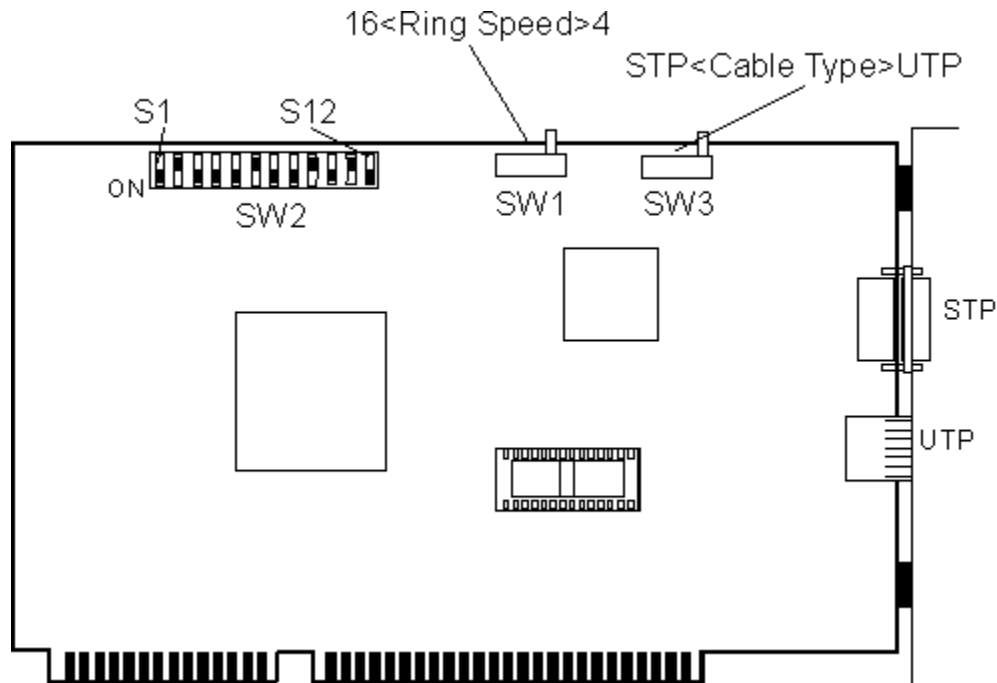
Windows 95 Adapter help currently includes the following Olicom network cards:

Olicom 16-4 Token Ring Adapter (ISA)

Olicom 16-4 Token Ring Adapter (MCA)

Olicom 16-4 Token Ring Adapter (EISA)

## **Olicom 16-4 Token Ring Adapter**



This is the Olicom 16/4 Token Ring Adapter shown. Listed below are the possible Interrupt Request Line (IRQ), Base I/O Address, and Base Memory Address jumper/switch configurations:

### **Interrupt Request Line (IRQ)**

SW2	
S7	S8
IRQ2/9 ON	ON
IRQ3 ON	OFF
IRQ10 OFF	ON
IRQ11 OFF	OFF

### **Base I/O Address**

SW2	
S9	S10
0A20h OFF	OFF
0A24h ON	OFF
0A50h OFF	ON
0A54h ON	ON

### **Base Memory Address**

NOT USED

### **Cabling for this Adapter**

- Unshielded Twisted Pair via RJ-45 Connector
- Shielded Twisted Pair (IBM Type 1) via DB-9 Connector

## **Olicom 16-4 Token Ring Adapter (MCA)**

This Network Adapter card is configured using the 'Reference Disk' provided with your Micro-Channel System. For further information consult the documentation provided with the Network Adapter or contact your vendor.

### **Cabling for this Adapter**

Unshielded Twisted Pair via RJ-45 Connector  
Shielded Twisted Pair via DB-9 Connector

## **Olicom 16-4 Token Ring Adapter (EISA)**

This can be configured using the ECU (EISA Configuration Utility) that ships with most EISA systems. For question about use of the ECU, please consult the documentation that came with your system or contact the manufacturer of the system.

### **Cabling for this Adapter**

- Unshielded Twisted Pair via RJ-45 Connector
- Shielded Twisted Pair (IBM Type 1) via DB-9 Connector

## **Proteon**

Windows 95 Adapter help currently includes the following Proteon network cards:

[Proteon Token Ring \(P1390\)](#)

[Proteon Token Ring \(P1392\)](#)

[Proteon EISA Token Ring](#)

[Proteon ISA Token Ring \(P1340\)](#)

## **Proteon EISA Token Ring**

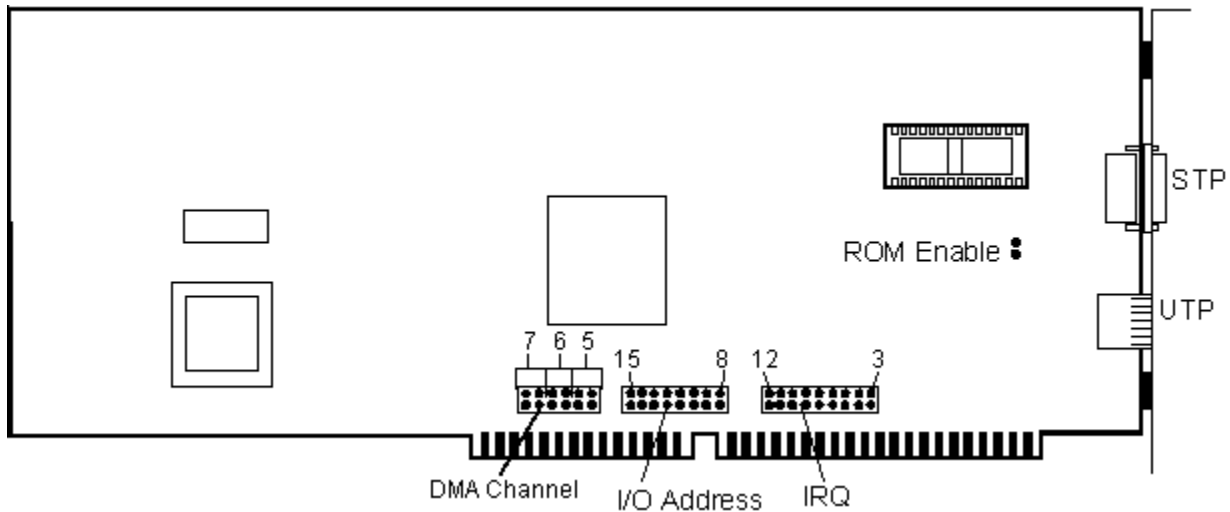
This can be configured using the ECU (EISA Configuration Utility) that ships with most EISA systems. For question about use of the ECU, please consult the documentation that came with your system or contact the manufacturer of the system.

### **Cabling for this Adapter**

- Unshielded Twisted Pair via RJ-45 Connector
- Shielded Twisted Pair (IBM Type 1) via DB-9 Connector



## Proteon Token Ring (P1390)



This is the Proteon Token Ring (P1390) Network Adapter card shown. Listed below are the possible Interrupt Request Line (IRQ), Base I/O Address, and Base Memory Address jumper/switch configurations:

### Interrupt Request Line (IRQ)

	J3	J4	J5	J6	J7	J9	J10	J11	J12
IRQ3	ON	OFF	OFF	OFF	OFF	OFF	OFF	OFF	OFF
IRQ4	OFF	ON	OFF	OFF	OFF	OFF	OFF	OFF	OFF
IRQ5	OFF	OFF	ON	OFF	OFF	OFF	OFF	OFF	OFF
IRQ6	OFF	OFF	OFF	ON	OFF	OFF	OFF	OFF	OFF
IRQ7	OFF	OFF	OFF	OFF	ON	OFF	OFF	OFF	OFF
IRQ9	OFF	OFF	OFF	OFF	OFF	ON	OFF	OFF	OFF
IRQ10	OFF	OFF	OFF	OFF	OFF	OFF	ON	OFF	OFF
IRQ11	OFF	OFF	OFF	OFF	OFF	OFF	OFF	ON	OFF
IRQ12	OFF	OFF	OFF	OFF	OFF	OFF	OFF	OFF	ON

### Base I/O Address

	J8	J9	J10	J11	J12	J13	J14	J15
0A20h	ON	OFF	ON	OFF	ON	ON	ON	ON
1A20h	ON	OFF	ON	OFF	OFF	ON	ON	ON
2A20h	ON	OFF	ON	OFF	ON	OFF	ON	ON
3A20h	ON	OFF	ON	OFF	ON	ON	ON	ON
4A20h	ON	OFF	ON	OFF	ON	ON	ON	ON
5A20h	ON	OFF	ON	OFF	ON	ON	ON	ON

### Base Memory Address

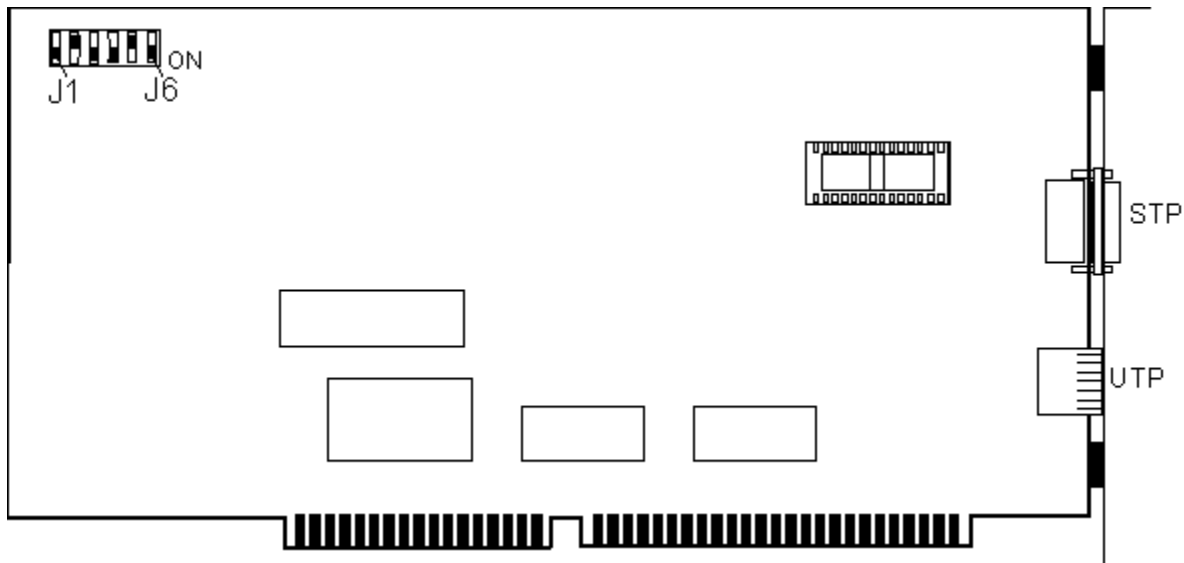
NOT USED

### Cabling for this Adapter

Unshielded Twisted Pair via RJ-45 Connector

Shielded Twisted Pair (IBM Type 1) via DB-9 Connector

## **Proteon Token Ring (P1392)**



This is the Proteon Token Ring (P1392) Network Adapter card shown. Listed below are the possible Interrupt Request Line (IRQ), Base I/O Address, and Base Memory Address jumper/switch configurations:

### **Interrupt Request Line (IRQ)**

NOT USED

### **Base I/O Address**

	J2	J3	J4	J5	J6
0A20h	ON	ON	ON	ON	ON
0E20h	OFF	ON	ON	ON	ON
1A20h	ON	OFF	ON	ON	ON
1E20h	OFF	OFF	ON	ON	ON
2A20h	ON	ON	OFF	ON	ON
2E20h	OFF	ON	OFF	ON	ON
3A20h	ON	OFF	OFF	ON	ON
3E20h	OFF	OFF	OFF	ON	ON
4A20h	ON	ON	ON	OFF	ON
4E20h	OFF	ON	ON	OFF	ON
5A20h	ON	OFF	ON	OFF	ON
5E20h	OFF	OFF	ON	OFF	ON
6A20h	ON	ON	OFF	OFF	ON
6E20h	OFF	ON	OFF	OFF	ON
7A20h	ON	OFF	OFF	OFF	ON
7E20h	OFF	OFF	OFF	OFF	ON
8A20h	ON	ON	ON	ON	OFF
8E20h	OFF	ON	ON	ON	OFF
9A20h	ON	OFF	ON	ON	OFF
9E20h	OFF	OFF	ON	ON	OFF
AA20h	ON	ON	OFF	ON	OFF
AE20h	OFF	ON	OFF	ON	OFF
BA20h	ON	OFF	OFF	ON	OFF

BE20h	OFF	OFF	OFF	ON	OFF
CA20h	ON	ON	ON	OFF	OFF
CE20h	OFF	ON	ON	OFF	OFF
DA20h	ON	OFF	ON	OFF	OFF
DE20h	OFF	OFF	ON	OFF	OFF
EA20h	ON	ON	OFF	OFF	OFF
EE20h	OFF	ON	OFF	OFF	OFF
FA20h	ON	OFF	OFF	OFF	OFF
FE20h	OFF	OFF	OFF	OFF	OFF

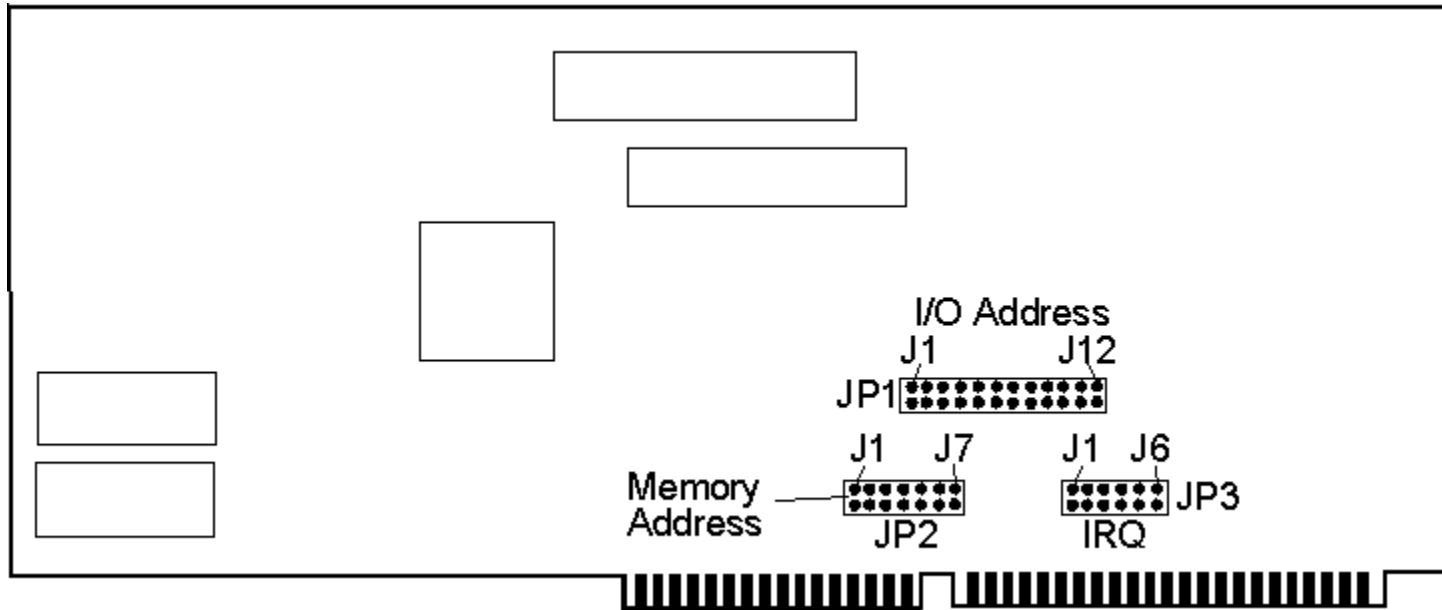
**Base Memory Address**

NOT USED

**Cabling for this Adapter**

Unshielded Twisted Pair via RJ-45 Connector  
Shielded Twisted Pair (IBM Type 1) via DB-9 Connector

## Proteon ISA Token Ring (P1340)



This is the Proteon ISA Token Ring (P1340) Network Adapter card shown. Listed below are the possible Interrupt Request Line (IRQ), Base I/O Address, and Base Memory Address jumper/switch configurations:

### Interrupt Request Line (IRQ)

	JP3					
	J1	J2	J3	J4	J5	J6
IRQ2	ON	OFF	OFF	OFF	OFF	OFF
IRQ3	OFF	ON	OFF	OFF	OFF	OFF
IRQ4	OFF	OFF	ON	OFF	OFF	OFF
IRQ5	OFF	OFF	OFF	ON	OFF	OFF
IRQ6	OFF	OFF	OFF	OFF	ON	OFF
IRQ7	OFF	OFF	OFF	OFF	OFF	ON

### Base I/O Address

	JP1											
	J1	J2	J3	J4	J5	J6	J7	J8	J9	J10	J11	J12
0200h	ON	ON	ON	ON	ON	OFF	ON	ON	ON	ON	ON	ON
0210h	OFF	ON	ON	ON	ON	OFF	ON	ON	ON	ON	ON	ON
0220h	ON	OFF	ON	ON	ON	OFF	ON	ON	ON	ON	ON	ON
0230h	OFF	OFF	ON	ON	ON	OFF	ON	ON	ON	ON	ON	ON
0240h	ON	ON	OFF	ON	ON	OFF	ON	ON	ON	ON	ON	ON
0250h	OFF	ON	OFF	ON	ON	OFF	ON	ON	ON	ON	ON	ON
0260h	ON	OFF	OFF	ON	ON	OFF	ON	ON	ON	ON	ON	ON
0270h	OFF	OFF	OFF	ON	ON	OFF	ON	ON	ON	ON	ON	ON
0280h	ON	ON	ON	OFF	ON	OFF	ON	ON	ON	ON	ON	ON
0290h	OFF	ON	ON	OFF	ON	OFF	ON	ON	ON	ON	ON	ON
02A0h	ON	OFF	ON	OFF	ON	OFF	ON	ON	ON	ON	ON	ON
02B0h	OFF	OFF	ON	OFF	ON	OFF	ON	ON	ON	ON	ON	ON
02C0h	ON	ON	OFF	OFF	ON	OFF	ON	ON	ON	ON	ON	ON

02D0h	OFF	ON	OFF	OFF	ON	OFF	ON	ON	ON	ON	ON	ON
02E0h	ON	OFF	OFF	OFF	ON	OFF	ON	ON	ON	ON	ON	ON
02F0h	OFF	OFF	OFF	OFF	ON	OFF	ON	ON	ON	ON	ON	ON
0300h	ON	ON	ON	ON	OFF	OFF	ON	ON	ON	ON	ON	ON
0310h	OFF	ON	ON	ON	OFF	OFF	ON	ON	ON	ON	ON	ON
0320h	ON	OFF	ON	ON	OFF	OFF	ON	ON	ON	ON	ON	ON
0330h	OFF	OFF	ON	ON	OFF	OFF	ON	ON	ON	ON	ON	ON
0340h	ON	ON	OFF	ON	OFF	OFF	ON	ON	ON	ON	ON	ON
0350h	OFF	ON	OFF	ON	OFF	OFF	ON	ON	ON	ON	ON	ON
0360h	ON	OFF	OFF	ON	OFF	OFF	ON	ON	ON	ON	ON	ON
0370h	OFF	OFF	OFF	ON	OFF	OFF	ON	ON	ON	ON	ON	ON
0380h	ON	ON	ON	OFF	OFF	OFF	ON	ON	ON	ON	ON	ON
0390h	OFF	ON	ON	OFF	OFF	OFF	ON	ON	ON	ON	ON	ON
03A0h	ON	OFF	ON	OFF	OFF	OFF	ON	ON	ON	ON	ON	ON
03B0h	OFF	OFF	ON	OFF	OFF	OFF	ON	ON	ON	ON	ON	ON
03C0h	ON	ON	OFF	OFF	OFF	OFF	ON	ON	ON	ON	ON	ON
03D0h	OFF	ON	OFF	OFF	OFF	OFF	ON	ON	ON	ON	ON	ON
03E0h	ON	OFF	OFF	OFF	OFF	OFF	ON	ON	ON	ON	ON	ON
03F0h	OFF	OFF	OFF	OFF	OFF	OFF	ON	ON	ON	ON	ON	ON
0A00h	ON	ON	ON	ON	ON	OFF	ON	OFF	ON	ON	ON	ON
0A10h	OFF	ON	ON	ON	ON	OFF	ON	OFF	ON	ON	ON	ON
0A20h	ON	OFF	ON	ON	ON	OFF	ON	OFF	ON	ON	ON	ON
0A30h	OFF	OFF	ON	ON	ON	OFF	ON	OFF	ON	ON	ON	ON
0A40h	ON	ON	OFF	ON	ON	OFF	ON	OFF	ON	ON	ON	ON
0A50h	OFF	ON	OFF	ON	ON	OFF	ON	OFF	ON	ON	ON	ON
0A60h	ON	OFF	OFF	ON	ON	OFF	ON	OFF	ON	ON	ON	ON
0A70h	OFF	OFF	OFF	ON	ON	OFF	ON	OFF	ON	ON	ON	ON
0A80h	ON	ON	ON	OFF	ON	OFF	ON	OFF	ON	ON	ON	ON
0A90h	OFF	ON	ON	OFF	ON	OFF	ON	OFF	ON	ON	ON	ON
0AA0h	ON	OFF	ON	OFF	ON	OFF	ON	OFF	ON	ON	ON	ON
0AB0h	OFF	OFF	ON	OFF	ON	OFF	ON	OFF	ON	ON	ON	ON
0AC0h	ON	ON	OFF	OFF	ON	OFF	ON	OFF	ON	ON	ON	ON
0AD0h	OFF	ON	OFF	OFF	ON	OFF	ON	OFF	ON	ON	ON	ON
0AE0h	ON	OFF	OFF	OFF	ON	OFF	ON	OFF	ON	ON	ON	ON
0AF0h	OFF	OFF	OFF	OFF	ON	OFF	ON	OFF	ON	ON	ON	ON

**Base Memory Address**

	JP2						
	J1	J2	J3	J4	J5	J6	J7
0000h	ON	ON	ON	ON	ON	ON	ON
0200h	OFF	ON	ON	ON	ON	ON	ON
0400h	ON	OFF	ON	ON	ON	ON	ON
0600h	OFF	OFF	ON	ON	ON	ON	ON
0800h	ON	ON	OFF	ON	ON	ON	ON
0A00h	OFF	ON	OFF	ON	ON	ON	ON
0C00h	ON	OFF	OFF	ON	ON	ON	ON
0E00h	OFF	OFF	OFF	ON	ON	ON	ON
1000h	ON	ON	ON	OFF	ON	ON	ON
1200h	OFF	ON	ON	OFF	ON	ON	ON
1400h	ON	OFF	ON	OFF	ON	ON	ON
1600h	OFF	OFF	ON	OFF	ON	ON	ON
1800h	ON	ON	OFF	OFF	ON	ON	ON
1A00h	OFF	ON	OFF	OFF	ON	ON	ON
1C00h	ON	OFF	OFF	OFF	ON	ON	ON
1E00h	OFF	OFF	OFF	OFF	ON	ON	ON

2000h	ON	ON	ON	ON	OFF	ON	ON
2200h	OFF	ON	ON	ON	OFF	ON	ON
2400h	ON	OFF	ON	ON	OFF	ON	ON
2600h	OFF	OFF	ON	ON	OFF	ON	ON
2800h	ON	ON	OFF	ON	OFF	ON	ON
2A00h	OFF	ON	OFF	ON	OFF	ON	ON
2C00h	ON	OFF	OFF	ON	OFF	ON	ON
2E00h	OFF	OFF	OFF	ON	OFF	ON	ON
3000h	ON	ON	ON	OFF	OFF	ON	ON
3200h	OFF	ON	ON	OFF	OFF	ON	ON
3400h	ON	OFF	ON	OFF	OFF	ON	ON
3600h	OFF	OFF	ON	OFF	OFF	ON	ON
3800h	ON	ON	OFF	OFF	OFF	ON	ON
3A00h	OFF	ON	OFF	OFF	OFF	ON	ON
3C00h	ON	OFF	OFF	OFF	OFF	ON	ON
3E00h	OFF	OFF	OFF	OFF	OFF	ON	ON
4000h	ON	ON	ON	ON	ON	OFF	ON
4200h	OFF	ON	ON	ON	ON	OFF	ON
4400h	ON	OFF	ON	ON	ON	OFF	ON
4600h	OFF	OFF	ON	ON	ON	OFF	ON
4800h	ON	ON	OFF	ON	ON	OFF	ON
4A00h	OFF	ON	OFF	ON	ON	OFF	ON
4C00h	ON	OFF	OFF	ON	ON	OFF	ON
4E00h	OFF	OFF	OFF	ON	ON	OFF	ON
5000h	ON	ON	ON	OFF	ON	OFF	ON
5200h	OFF	ON	ON	OFF	ON	OFF	ON
5400h	ON	OFF	ON	OFF	ON	OFF	ON
5600h	OFF	OFF	ON	OFF	ON	OFF	ON
5800h	ON	ON	OFF	OFF	ON	OFF	ON
5A00h	OFF	ON	OFF	OFF	ON	OFF	ON
5C00h	ON	OFF	OFF	OFF	ON	OFF	ON
5E00h	OFF	OFF	OFF	OFF	ON	OFF	ON
6000h	ON	ON	ON	ON	OFF	OFF	ON
6200h	OFF	ON	ON	ON	OFF	OFF	ON
6400h	ON	OFF	ON	ON	OFF	OFF	ON
6600h	OFF	OFF	ON	ON	OFF	OFF	ON
6800h	ON	ON	OFF	ON	OFF	OFF	ON
6A00h	OFF	ON	OFF	ON	OFF	OFF	ON
6C00h	ON	OFF	OFF	ON	OFF	OFF	ON
6E00h	OFF	OFF	OFF	ON	OFF	OFF	ON
7000h	ON	ON	ON	OFF	OFF	OFF	ON
7200h	OFF	ON	ON	OFF	OFF	OFF	ON
7400h	ON	OFF	ON	OFF	OFF	OFF	ON
7600h	OFF	OFF	ON	OFF	OFF	OFF	ON
7800h	ON	ON	OFF	OFF	OFF	OFF	ON
7A00h	OFF	ON	OFF	OFF	OFF	OFF	ON
7C00h	ON	OFF	OFF	OFF	OFF	OFF	ON
7E00h	OFF	OFF	OFF	OFF	OFF	OFF	ON
8000h	ON	ON	ON	ON	ON	ON	OFF
8200h	OFF	ON	ON	ON	ON	ON	OFF
8400h	ON	OFF	ON	ON	ON	ON	OFF
8600h	OFF	OFF	ON	ON	ON	ON	OFF
8800h	ON	ON	OFF	ON	ON	ON	OFF
8A00h	OFF	ON	OFF	ON	ON	ON	OFF
8C00h	ON	OFF	OFF	ON	ON	ON	OFF

8E00h	OFF	OFF	OFF	ON	ON	ON	OFF
9000h	ON	ON	ON	OFF	ON	ON	OFF
9200h	OFF	ON	ON	OFF	ON	ON	OFF
9400h	ON	OFF	ON	OFF	ON	ON	OFF
9600h	OFF	OFF	ON	OFF	ON	ON	OFF
9800h	ON	ON	OFF	OFF	ON	ON	OFF
9A00h	OFF	ON	OFF	OFF	ON	ON	OFF
9C00h	ON	OFF	OFF	OFF	ON	ON	OFF
9E00h	OFF	OFF	OFF	OFF	ON	ON	OFF
A000h	ON	ON	ON	ON	OFF	ON	OFF
A200h	OFF	ON	ON	ON	OFF	ON	OFF
A400h	ON	OFF	ON	ON	OFF	ON	OFF
A600h	OFF	OFF	ON	ON	OFF	ON	OFF
A800h	ON	ON	OFF	ON	OFF	ON	OFF
AA00h	OFF	ON	OFF	ON	OFF	ON	OFF
AC00h	ON	OFF	OFF	ON	OFF	ON	OFF
AE00h	OFF	OFF	OFF	ON	OFF	ON	OFF
B000h	ON	ON	ON	OFF	OFF	ON	OFF
B200h	OFF	ON	ON	OFF	OFF	ON	OFF
B400h	ON	OFF	ON	OFF	OFF	ON	OFF
B600h	OFF	OFF	ON	OFF	OFF	ON	OFF
B800h	ON	ON	OFF	OFF	OFF	ON	OFF
BA00h	OFF	ON	OFF	OFF	OFF	ON	OFF
BC00h	ON	OFF	OFF	OFF	OFF	ON	OFF
BE00h	OFF	OFF	OFF	OFF	OFF	ON	OFF
C000h	ON	ON	ON	ON	ON	OFF	OFF
C200h	OFF	ON	ON	ON	ON	OFF	OFF
C400h	ON	OFF	ON	ON	ON	OFF	OFF
C600h	OFF	OFF	ON	ON	ON	OFF	OFF
C800h	ON	ON	OFF	ON	ON	OFF	OFF
CA00h	OFF	ON	OFF	ON	ON	OFF	OFF
CC00h	ON	OFF	OFF	ON	ON	OFF	OFF
CE00h	OFF	OFF	OFF	ON	ON	OFF	OFF
D000h	ON	ON	ON	OFF	ON	OFF	OFF
D200h	OFF	ON	ON	OFF	ON	OFF	OFF
D400h	ON	OFF	ON	OFF	ON	OFF	OFF
D600h	OFF	OFF	ON	OFF	ON	OFF	OFF
D800h	ON	ON	OFF	OFF	ON	OFF	OFF
DA00h	OFF	ON	OFF	OFF	ON	OFF	OFF
DC00h	ON	OFF	OFF	OFF	ON	OFF	OFF
DE00h	OFF	OFF	OFF	OFF	ON	OFF	OFF
E000h	ON	ON	ON	ON	OFF	OFF	OFF
E200h	OFF	ON	ON	ON	OFF	OFF	OFF
E400h	ON	OFF	ON	ON	OFF	OFF	OFF
E600h	OFF	OFF	ON	ON	OFF	OFF	OFF
E800h	ON	ON	OFF	ON	OFF	OFF	OFF
EA00h	OFF	ON	OFF	ON	OFF	OFF	OFF
EC00h	ON	OFF	OFF	ON	OFF	OFF	OFF
EE00h	OFF	OFF	OFF	ON	OFF	OFF	OFF
F000h	ON	ON	ON	OFF	OFF	OFF	OFF
F200h	OFF	ON	ON	OFF	OFF	OFF	OFF
F400h	ON	OFF	ON	OFF	OFF	OFF	OFF
F600h	OFF	OFF	ON	OFF	OFF	OFF	OFF
F800h	ON	ON	OFF	OFF	OFF	OFF	OFF
FA00h	OFF	ON	OFF	OFF	OFF	OFF	OFF

FC00h	ON	OFF	OFF	OFF	OFF	OFF	OFF
FE00h	OFF	OFF	OFF	OFF	OFF	OFF	OFF

**Cabling for this Adapter**

- Unshielded Twisted Pair via RJ-45 Connector
- Shielded Twisted Pair (IBM Type 1) via DB-9 Connector







## **Pure Data**

Windows 95 Adapter help currently includes the following Pure Data network cards:

Pure Data PDI9025-16 (Token Ring)

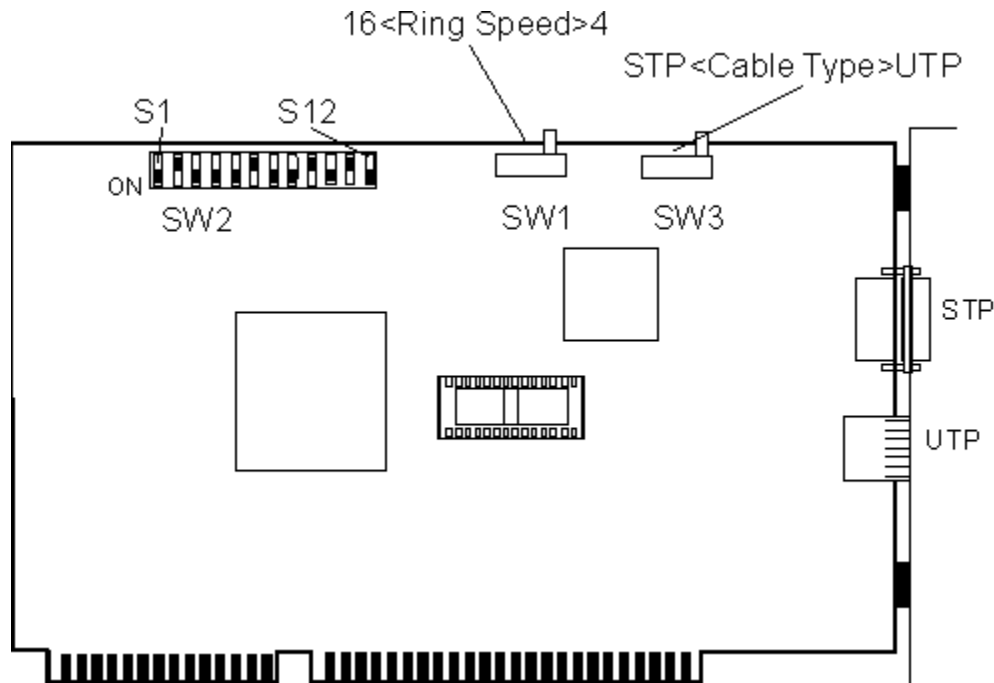
Pure Data PDE9025-32 (Token Ring)

Pure Data PDuC9025 (Token Ring)

Pure Data PDI508+ (ArcNet)

Pure Data PDI516+ (ArcNet)

## **Pure Data PDI9025-16 (Token Ring)**



This is the Pure Data PDI9025-16 (Token Ring) Network Adapter card shown. Listed below are the possible Interrupt Request Line (IRQ), Base I/O Address, and Base Memory Address jumper/switch configurations:

### **Interrupt Request Line (IRQ)**

SW2	
S7	S8
IRQ2/9	ON ON
IRQ3	ON OFF
IRQ10	OFF ON
IRQ11	OFF OFF

### **Base I/O Address**

SW2	
S9	S10
A20h	OFF OFF
A24h	ON OFF
A50h	OFF ON
A54h	ON ON

### **Base Memory Address**

NOT USED

### **Cabling for this Adapter**

- Unshielded Twisted Pair via RJ-45 Connector
- Shielded Twisted Pair via DB-9 Connector

## **Pure Data PDE9025-32 (Token Ring)**

This can be configured using the ECU (EISA Configuration Utility) that ships with most EISA systems. For question about use of the ECU, please consult the documentation that came with your system or contact the manufacturer of the system.

### **Interrupt Request Line (IRQ)**

*Default - IRQ2*

### **Base I/O Address**

*Default - A20h*

### **Cabling for this Adapter**

Unshielded Twisted Pair via RJ-45 Connector

Shielded Twisted Pair via DB-9 Connector

## **Pure Data PDuC9025 (Token Ring)**

This Network Adapter card is configured using the 'Reference Disk' provided with your Micro-Channel System. For further information consult the documentation provided with the Network Adapter or contact your vendor.

### **Interrupt Request Line (IRQ)**

*Default - IRQ2*

### **Base I/O Address**

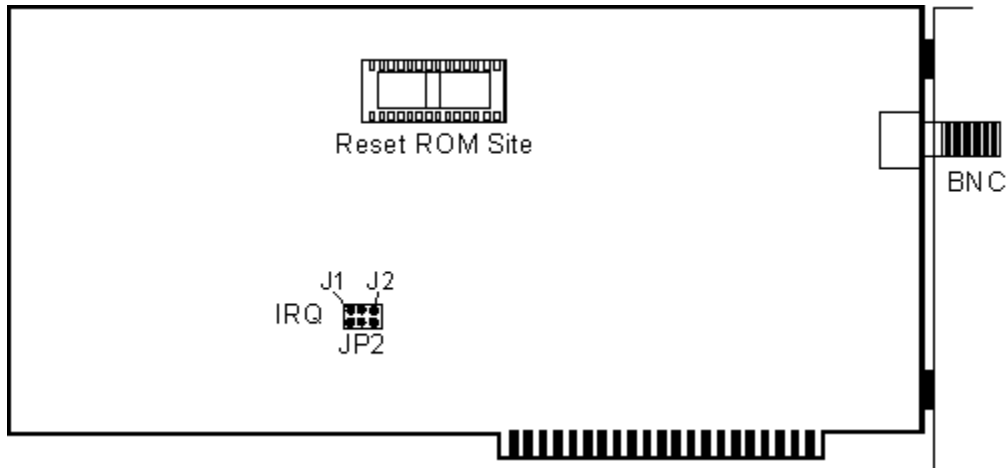
*Default - A20h*

### **Cabling for this Adapter**

Unshielded Twisted Pair via RJ-45 Connector

Shielded Twisted Pair via DB-9 Connector

## **Pure Data PDI508+(ArcNet)**



This is the Pure Data PDI508+ (ArcNet) Network Adapter card shown. Listed below are the possible Interrupt Request Line (IRQ), Base I/O Address, and Base Memory Address jumper/switch configurations:

### **Interrupt Request Line (IRQ)**

	JP2		
	J1	J2	J3
IRQ2	SOFTWARE		
IRQ3	SOFTWARE		
IRQ4	SOFTWARE		
IRQ5	ON	OFF	OFF
IRQ6	OFF	ON	OFF
IRQ7	OFF	OFF	ON

### **Base I/O Address**

SOFTWARE CONFIGURABLE  
Default - 2E0h

### **Base Memory Address**

SOFTWARE CONFIGURABLE  
Default - D000h

### **Cabling for this Adapter**

Thin Ethernet via BNC Connector

## **Pure Data PDI516+(ArcNet)**

This Network Adapter card can be configured using the software supplied by the manufacturer. Please consult the documentation that came with your Network Adapter or contact the manufacturer of the Network Adapter for further information.

### **Interrupt Request Line (IRQ)**

*Default - IRQ2*

### **Base I/O Address**

*Default - 2E0h*

### **Base Memory Address**

*Default - D000h*

### **Cabling for this Adapter**

Thin Ethernet via BNC Connector



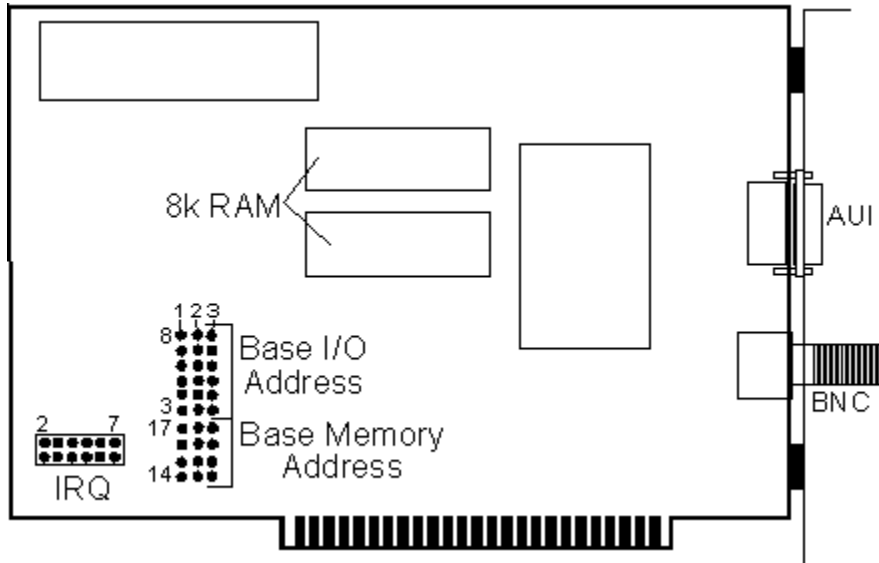
## **Racal**

Windows 95 Adapter help currently includes the following Racal network cards:

Racal NI5210-8

Racal NI5210-16

## Racal NI5210-8



This is the Racal NI5210-8 Network Adapter card shown. Listed below are the possible Interrupt Request Line (IRQ), Base I/O Address, and Base Memory Address jumper/switch configurations:

### Interrupt Request Line (IRQ)

	J2	J3	J4	J5	J6	J7
IRQ2	ON	OFF	OFF	OFF	OFF	OFF
IRQ3	OFF	ON	OFF	OFF	OFF	OFF
IRQ4	OFF	OFF	ON	OFF	OFF	OFF
IRQ5	OFF	OFF	OFF	ON	OFF	OFF
IRQ6	OFF	OFF	OFF	OFF	ON	OFF
IRQ7	OFF	OFF	OFF	OFF	OFF	ON

### Base I/O Address

	J3	J4	J5	J6	J7	J8
200h	1-2	1-2	1-2	1-2	1-2	1-2
208h	1-2	1-2	1-2	1-2	1-2	2-3
210h	1-2	1-2	1-2	1-2	2-3	1-2
218h	1-2	1-2	1-2	1-2	2-3	2-3
220h	1-2	1-2	1-2	2-3	1-2	1-2
228h	1-2	1-2	1-2	2-3	1-2	2-3
230h	1-2	1-2	1-2	2-3	2-3	1-2
238h	1-2	1-2	1-2	2-3	2-3	2-3
240h	1-2	1-2	2-3	1-2	1-2	1-2
248h	1-2	1-2	2-3	1-2	1-2	2-3
250h	1-2	1-2	2-3	1-2	2-3	1-2
258h	1-2	1-2	2-3	1-2	2-3	2-3
260h	1-2	1-2	2-3	2-3	1-2	1-2
268h	1-2	1-2	2-3	2-3	1-2	2-3
270h	1-2	1-2	2-3	2-3	2-3	1-2
278h	1-2	1-2	2-3	2-3	2-3	2-3
280h	1-2	2-3	1-2	1-2	1-2	1-2

288h	1-2	2-3	1-2	1-2	1-2	2-3
290h	1-2	2-3	1-2	1-2	2-3	1-2
298h	1-2	2-3	1-2	1-2	2-3	2-3
2A0h	1-2	2-3	1-2	2-3	1-2	1-2
2A8h	1-2	2-3	1-2	2-3	1-2	2-3
2B0h	1-2	2-3	1-2	2-3	2-3	1-2
2B8h	1-2	2-3	1-2	2-3	2-3	2-3
2C0h	1-2	2-3	2-3	1-2	1-2	1-2
2C8h	1-2	2-3	2-3	1-2	1-2	2-3
2D0h	1-2	2-3	2-3	1-2	2-3	1-2
2D8h	1-2	2-3	2-3	1-2	2-3	2-3
2E0h	1-2	2-3	2-3	2-3	1-2	1-2
2E8h	1-2	2-3	2-3	2-3	1-2	2-3
2F0h	1-2	2-3	2-3	2-3	2-3	1-2
2F8h	1-2	2-3	2-3	2-3	2-3	2-3
300h	2-3	1-2	1-2	1-2	1-2	1-2
308h	2-3	1-2	1-2	1-2	1-2	2-3
310h	2-3	1-2	1-2	1-2	2-3	1-2
318h	2-3	1-2	1-2	1-2	2-3	2-3
320h	2-3	1-2	1-2	2-3	1-2	1-2
328h	2-3	1-2	1-2	2-3	1-2	2-3
330h	2-3	1-2	1-2	2-3	2-3	1-2
338h	2-3	1-2	1-2	2-3	2-3	2-3
340h	2-3	1-2	2-3	1-2	1-2	1-2
348h	2-3	1-2	2-3	1-2	1-2	2-3
350h	2-3	1-2	2-3	1-2	2-3	1-2
358h	2-3	1-2	2-3	1-2	2-3	2-3
360h	2-3	1-2	2-3	2-3	1-2	1-2
368h	2-3	1-2	2-3	2-3	1-2	2-3
370h	2-3	1-2	2-3	2-3	2-3	1-2
378h	2-3	1-2	2-3	2-3	2-3	2-3
380h	2-3	2-3	1-2	1-2	1-2	1-2
388h	2-3	2-3	1-2	1-2	1-2	2-3
390h	2-3	2-3	1-2	1-2	2-3	1-2
398h	2-3	2-3	1-2	1-2	2-3	2-3
3A0h	2-3	2-3	1-2	2-3	1-2	1-2
3A8h	2-3	2-3	1-2	2-3	1-2	2-3
3B0h	2-3	2-3	1-2	2-3	2-3	1-2
3B8h	2-3	2-3	1-2	2-3	2-3	2-3
3C0h	2-3	2-3	2-3	1-2	1-2	1-2
3C8h	2-3	2-3	2-3	1-2	1-2	2-3
3D0h	2-3	2-3	2-3	1-2	2-3	1-2
3D8h	2-3	2-3	2-3	1-2	2-3	2-3
3E0h	2-3	2-3	2-3	2-3	1-2	1-2
3E8h	2-3	2-3	2-3	2-3	1-2	2-3
3F0h	2-3	2-3	2-3	2-3	2-3	1-2
3F8h	2-3	2-3	2-3	2-3	2-3	2-3

**Base Memory Address**

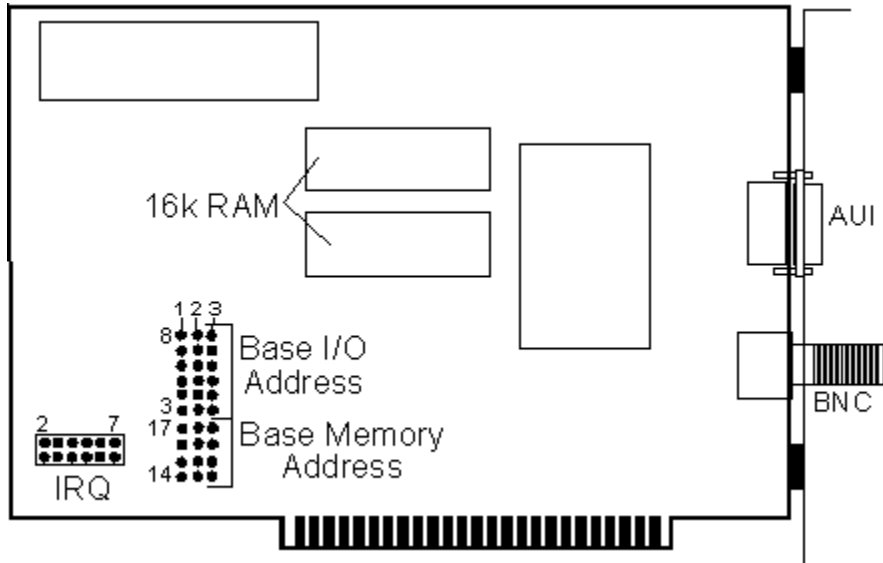
	J14	J15	J16	J17
C000h	1-2	1-2	1-2	1-2
C400h	1-2	1-2	1-2	2-3
C800h	1-2	1-2	2-3	1-2
CC00h	1-2	1-2	2-3	2-3
D000h	1-2	2-3	1-2	1-2

D400h	1-2	2-3	1-2	2-3
D800h	1-2	2-3	2-3	1-2
DC00h	1-2	2-3	2-3	2-3
E000h	2-3	1-2	1-2	1-2
E400h	2-3	1-2	1-2	2-3
E800h	2-3	1-2	2-3	1-2
EC00h	2-3	1-2	2-3	2-3

**Cabling for this Adapter**

- Thick Ethernet via AUI Connector
- Thin Ethernet via BNC Connector

## Racal NI5210-16



This is the Racal NI5210-16 Network Adapter card shown. Listed below are the possible Interrupt Request Line (IRQ), Base I/O Address, and Base Memory Address jumper/switch configurations:

### **Interrupt Request Line (IRQ)**

	J2	J3	J4	J5	J6	J7
IRQ2	ON	OFF	OFF	OFF	OFF	OFF
IRQ3	OFF	ON	OFF	OFF	OFF	OFF
IRQ4	OFF	OFF	ON	OFF	OFF	OFF
IRQ5	OFF	OFF	OFF	ON	OFF	OFF
IRQ6	OFF	OFF	OFF	OFF	ON	OFF
IRQ7	OFF	OFF	OFF	OFF	OFF	ON

### **Base I/O Address**

	J3	J4	J5	J6	J7	J8
200h	1-2	1-2	1-2	1-2	1-2	1-2
208h	1-2	1-2	1-2	1-2	1-2	2-3
210h	1-2	1-2	1-2	1-2	2-3	1-2
218h	1-2	1-2	1-2	1-2	2-3	2-3
220h	1-2	1-2	1-2	2-3	1-2	1-2
228h	1-2	1-2	1-2	2-3	1-2	2-3
230h	1-2	1-2	1-2	2-3	2-3	1-2
238h	1-2	1-2	1-2	2-3	2-3	2-3
240h	1-2	1-2	2-3	1-2	1-2	1-2
248h	1-2	1-2	2-3	1-2	1-2	2-3
250h	1-2	1-2	2-3	1-2	2-3	1-2
258h	1-2	1-2	2-3	1-2	2-3	2-3
260h	1-2	1-2	2-3	2-3	1-2	1-2
268h	1-2	1-2	2-3	2-3	1-2	2-3
270h	1-2	1-2	2-3	2-3	2-3	1-2
278h	1-2	1-2	2-3	2-3	2-3	2-3
280h	1-2	2-3	1-2	1-2	1-2	1-2

288h	1-2	2-3	1-2	1-2	1-2	2-3
290h	1-2	2-3	1-2	1-2	2-3	1-2
298h	1-2	2-3	1-2	1-2	2-3	2-3
2A0h	1-2	2-3	1-2	2-3	1-2	1-2
2A8h	1-2	2-3	1-2	2-3	1-2	2-3
2B0h	1-2	2-3	1-2	2-3	2-3	1-2
2B8h	1-2	2-3	1-2	2-3	2-3	2-3
2C0h	1-2	2-3	2-3	1-2	1-2	1-2
2C8h	1-2	2-3	2-3	1-2	1-2	2-3
2D0h	1-2	2-3	2-3	1-2	2-3	1-2
2D8h	1-2	2-3	2-3	1-2	2-3	2-3
2E0h	1-2	2-3	2-3	2-3	1-2	1-2
2E8h	1-2	2-3	2-3	2-3	1-2	2-3
2F0h	1-2	2-3	2-3	2-3	2-3	1-2
2F8h	1-2	2-3	2-3	2-3	2-3	2-3
300h	2-3	1-2	1-2	1-2	1-2	1-2
308h	2-3	1-2	1-2	1-2	1-2	2-3
310h	2-3	1-2	1-2	1-2	2-3	1-2
318h	2-3	1-2	1-2	1-2	2-3	2-3
320h	2-3	1-2	1-2	2-3	1-2	1-2
328h	2-3	1-2	1-2	2-3	1-2	2-3
330h	2-3	1-2	1-2	2-3	2-3	1-2
338h	2-3	1-2	1-2	2-3	2-3	2-3
340h	2-3	1-2	2-3	1-2	1-2	1-2
348h	2-3	1-2	2-3	1-2	1-2	2-3
350h	2-3	1-2	2-3	1-2	2-3	1-2
358h	2-3	1-2	2-3	1-2	2-3	2-3
360h	2-3	1-2	2-3	2-3	1-2	1-2
368h	2-3	1-2	2-3	2-3	1-2	2-3
370h	2-3	1-2	2-3	2-3	2-3	1-2
378h	2-3	1-2	2-3	2-3	2-3	2-3
380h	2-3	2-3	1-2	1-2	1-2	1-2
388h	2-3	2-3	1-2	1-2	1-2	2-3
390h	2-3	2-3	1-2	1-2	2-3	1-2
398h	2-3	2-3	1-2	1-2	2-3	2-3
3A0h	2-3	2-3	1-2	2-3	1-2	1-2
3A8h	2-3	2-3	1-2	2-3	1-2	2-3
3B0h	2-3	2-3	1-2	2-3	2-3	1-2
3B8h	2-3	2-3	1-2	2-3	2-3	2-3
3C0h	2-3	2-3	2-3	1-2	1-2	1-2
3C8h	2-3	2-3	2-3	1-2	1-2	2-3
3D0h	2-3	2-3	2-3	1-2	2-3	1-2
3D8h	2-3	2-3	2-3	1-2	2-3	2-3
3E0h	2-3	2-3	2-3	2-3	1-2	1-2
3E8h	2-3	2-3	2-3	2-3	1-2	2-3
3F0h	2-3	2-3	2-3	2-3	2-3	1-2
3F8h	2-3	2-3	2-3	2-3	2-3	2-3

**Base Memory Address**

	J14	J15	J16	J17
C000h	1-2	1-2	1-2	1-2
C400h	1-2	1-2	1-2	2-3
C800h	1-2	1-2	2-3	1-2
CC00h	1-2	1-2	2-3	2-3
D000h	1-2	2-3	1-2	1-2

D400h	1-2	2-3	1-2	2-3
D800h	1-2	2-3	2-3	1-2
DC00h	1-2	2-3	2-3	2-3
E000h	2-3	1-2	1-2	1-2
E400h	2-3	1-2	1-2	2-3
E800h	2-3	1-2	2-3	1-2
EC00h	2-3	1-2	2-3	2-3

**Cabling for this Adapter**

- Thick Ethernet via AUI Connector
- Thin Ethernet via BNC Connector

## **Racore Computer**

Windows 95 Adapter help currently includes the following Racore Computer network cards:

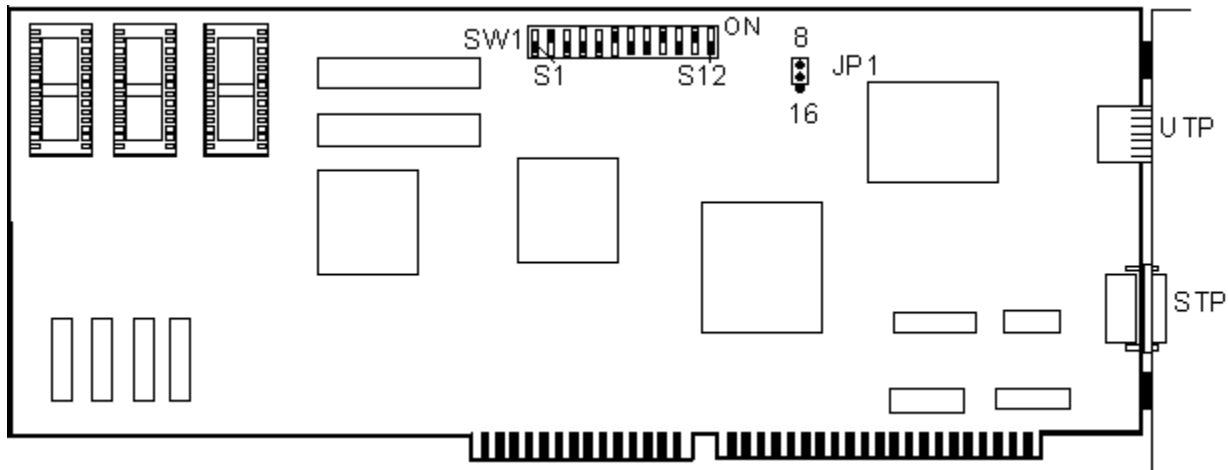
Racore Computer M8113 16-4 Token Ring

Racore Computer M8114 16-4 Token Ring

Racore Computer M8115 16-4 Token Ring



## **Racore Computer M8113 16-4 Token Ring**



This is the Racore Computer M8113 16-4 Token Ring Network Adapter card shown. Listed below are the possible Interrupt Request Line (IRQ), Base I/O Address, and Base Memory Address jumper/switch configurations:

### **Interrupt Request Line (IRQ)**

	SW1	
	S3	S4
IRQ3	ON	ON
IRQ9	OFF	ON
IRQ10	ON	OFF
IRQ11	OFF	OFF

### **Base I/O Address**

	SW1	
	S1	S2
0A00h	ON	ON
0A20h	OFF	ON
0A40h	ON	OFF
0A60h	OFF	OFF

### **Base Memory Address**

	J5	J6
CC00h	ON	ON
D000h	OFF	ON
D800h	ON	OFF
DC00h	OFF	OFF

### **Cabling for this Adapter**

- Unshielded Twisted Pair via RJ-45 Connector
- Shielded Twisted Pair via DB-9 Connector

## **Racore Computer M8114 16-4 Token Ring**

This Network Adapter card is configured using the 'Reference Disk' provided with your Micro-Channel System. For further information consult the documentation provided with the Network Adapter or contact your vendor.

### **Interrupt Request Line (IRQ)**

*Default - IRQ2*

### **Base I/O Address**

*Default - A20h*

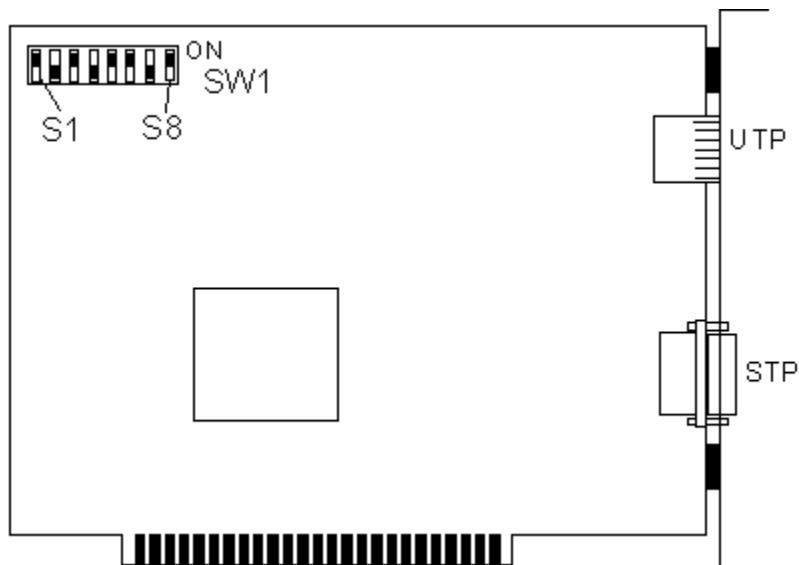
### **Base Memory Address**

*Default - CC00h*

### **Cabling for this Adapter**

Unshielded Twisted Pair via RJ-45 Connector  
Shielded Twisted Pair via DB-9 Connector

## **Racore Computer M8115 16-4 Token Ring**



This is the Racore Computer M8115 16-4 Token Ring Network Adapter card shown. Listed below are the possible Interrupt Request Line (IRQ), Base I/O Address, and Base Memory Address jumper/switch configurations:

### **Interrupt Request Line (IRQ)**

SW1  
S2  
IRQ2 OFF  
IRQ3 ON

### **Base I/O Address**

SW1  
S1  
0A20h ON  
0A60h OFF

### **Base Memory Address**

SW1  
S3  
CC00h ON  
DC00h OFF

### **Cabling for this Adapter**

Unshielded Twisted Pair via RJ-45 Connector  
Shielded Twisted Pair via DB-9 Connector

## **SMC ARCNET**

Windows 95 Adapter help currently includes the following SMC ARCNET network cards:

SMC ARCNETPC

SMC ARCNET PC100

SMC ARCNET PC110

SMC ARCNET PC130-E

SMC ARCNET PC220-120

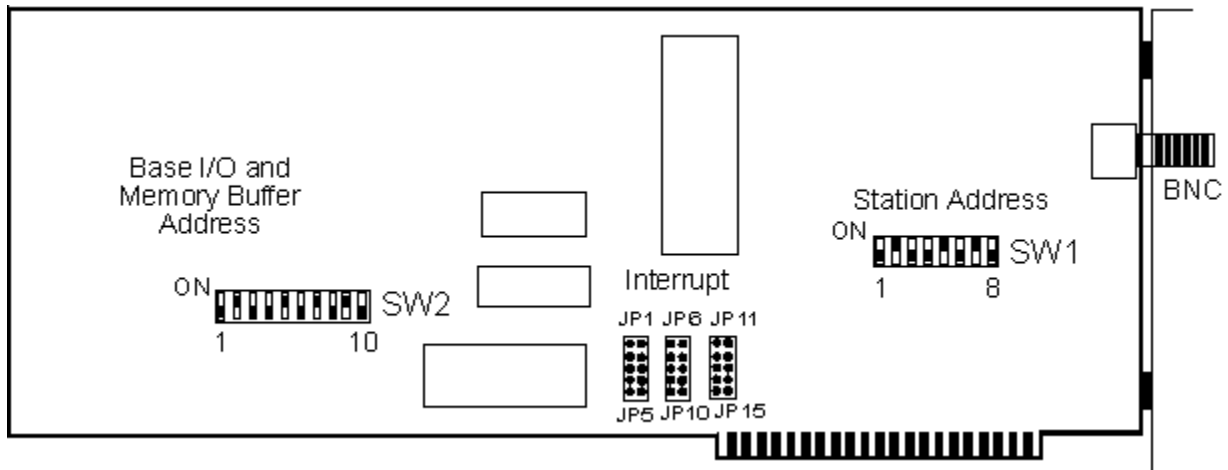
SMC ARCNET PC270-E

SMC ARCNET PC500

SMC ARCNET PC550

SMC ARCNET PC600

## **SMC ARCNETPC**



This is the SMC ARCNETPC Network Adapter card shown. Listed below are the possible Interrupt Request Line (IRQ), Base I/O Address, and Base Memory Address jumper/switch configurations:

### **Interrupt Request Line (IRQ)**

	JP1	JP2	JP3	JP4	JP5
IRQ2	OFF	OFF	OFF	OFF	ON
IRQ3	OFF	OFF	OFF	ON	OFF
IRQ4	OFF	OFF	ON	OFF	OFF
IRQ5	OFF	ON	OFF	OFF	OFF
IRQ7	ON	OFF	OFF	OFF	OFF

### **Base I/O Address**

	SW2					
	S1	S2	S3	S4	S5	S6
2E0h	OFF	ON	OFF	OFF	OFF	ON
2F0h	OFF	ON	OFF	OFF	OFF	OFF
300h	OFF	OFF	ON	ON	ON	ON

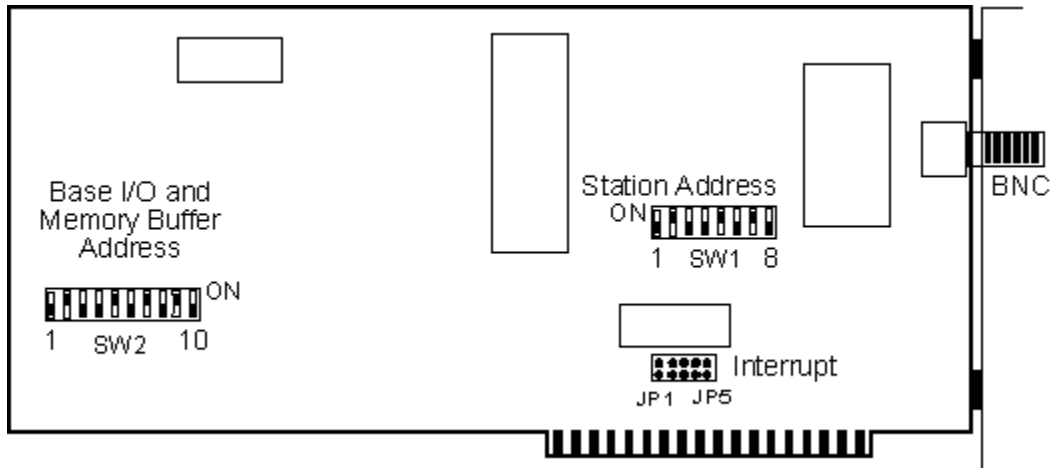
### **Base Memory Address**

	SW2			
	S7	S8	S9	S10
C000h	OFF	OFF	ON	ON
D000h	OFF	OFF	ON	OFF

### **Cabling for this Adapter**

Thin Ethernet via BNC Connector

## **SMC ARCNET PC100**



This is the SMC ARCNET PC100 Network Adapter card shown. Listed below are the possible Interrupt Request Line (IRQ), Base I/O Address, and Base Memory Address jumper/switch configurations:

### **Interrupt Request Line (IRQ)**

	JP1	JP2	JP3	JP4	JP5
IRQ2	OFF	OFF	OFF	OFF	ON
IRQ3	OFF	OFF	OFF	ON	OFF
IRQ4	OFF	OFF	ON	OFF	OFF
IRQ5	OFF	ON	OFF	OFF	OFF
IRQ7	ON	OFF	OFF	OFF	OFF

### **Base I/O Address**

	SW2					
	S1	S2	S3	S4	S5	S6
2E0h	OFF	ON	OFF	OFF	OFF	ON
2F0h	OFF	ON	OFF	OFF	OFF	OFF
300h	OFF	OFF	ON	ON	ON	ON

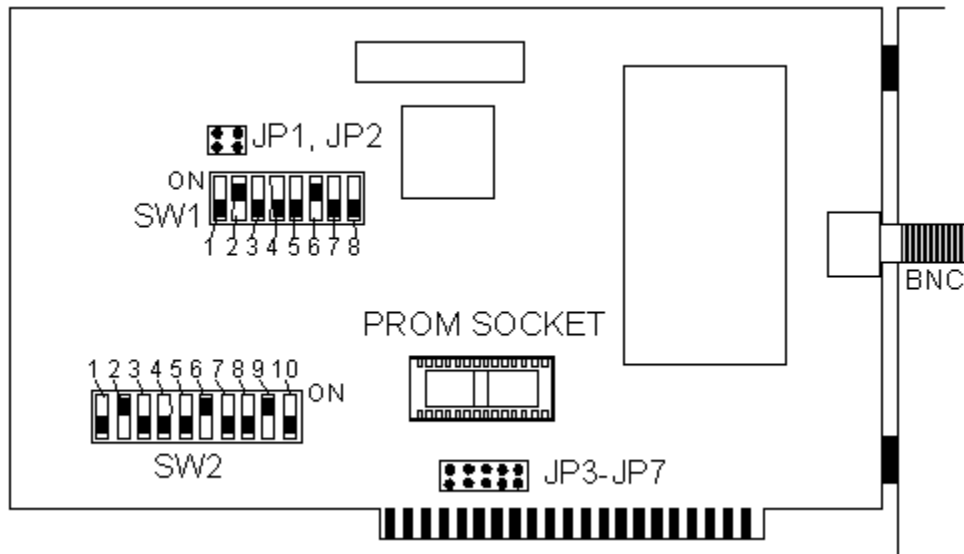
### **Base Memory Address**

	SW2			
	S7	S8	S9	S10
C000h	OFF	OFF	ON	ON
D000h	OFF	OFF	ON	OFF

### **Cabling for this Adapter**

Thin Ethernet via BNC Connector

## **SMC ARCNET PC110**



This is the SMC ARCNET PC 110 Network Adapter card shown. Listed below are the possible Interrupt Request Line (IRQ), Base I/O Address, and Base Memory Address jumper/switch configurations:

### **Interrupt Request Line (IRQ)**

	J3	J4	J5	J6	J7
IRQ2	ON	OFF	OFF	OFF	OFF
IRQ3	OFF	ON	OFF	OFF	OFF
IRQ4	OFF	OFF	ON	OFF	OFF
IRQ5	OFF	OFF	OFF	ON	OFF
IRQ7	OFF	OFF	OFF	OFF	ON

### **Base I/O Address**

	SW2					
	S1	S2	S3	S4	S5	S6
2E0h	OFF	ON	OFF	OFF	OFF	ON
2F0h	OFF	ON	OFF	OFF	OFF	OFF
300h	OFF	OFF	ON	ON	ON	ON
310h	OFF	OFF	ON	ON	ON	OFF
320h	OFF	OFF	ON	ON	OFF	ON
330h	OFF	OFF	ON	ON	OFF	OFF
340h	OFF	OFF	ON	OFF	ON	ON
350h	OFF	OFF	ON	OFF	ON	OFF
360h	OFF	OFF	ON	OFF	OFF	ON
370h	OFF	OFF	ON	OFF	OFF	OFF
380h	OFF	OFF	OFF	ON	ON	ON

### **Base Memory Address**

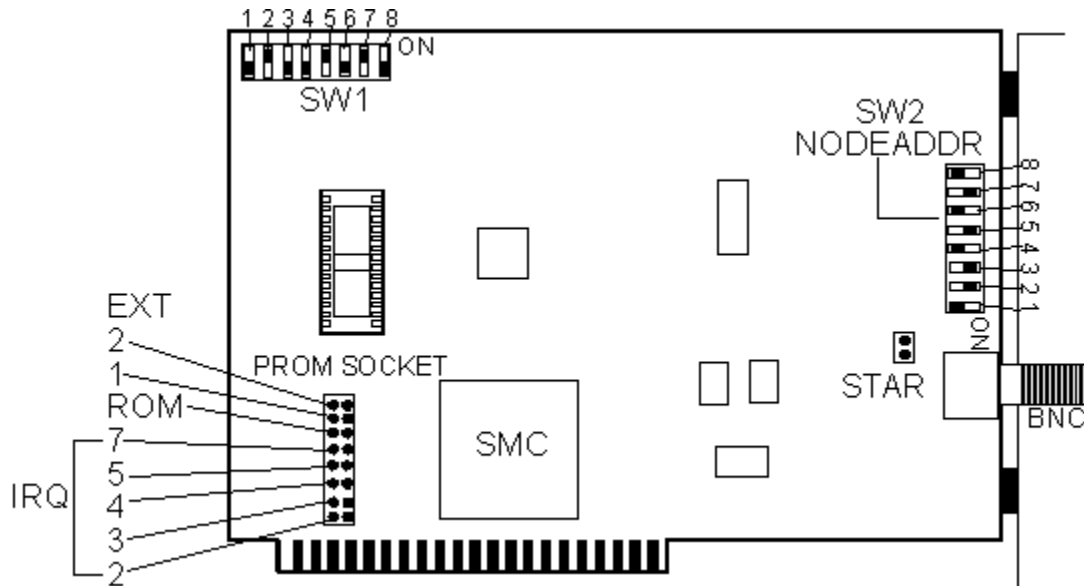
	SW2			
	S7	S8	S9	S10
C000h	OFF	OFF	ON	ON
D000h	OFF	OFF	ON	OFF

## **Cabling for this Adapter**

Thin Ethernet via BNC Connector



## **SMC ARCNET PC130-E**



This is the SMC ARCNET PC130 E Network Adapter card shown. Listed below are the possible Interrupt Request Line (IRQ), Base I/O Address, and Base Memory Address jumper/switch configurations:

### **Interrupt Request Line (IRQ)**

	J2	J3	J4	J5	J7
IRQ2	ON	OFF	OFF	OFF	OFF
IRQ3	OFF	ON	OFF	OFF	OFF
IRQ4	OFF	OFF	ON	OFF	OFF
IRQ5	OFF	OFF	OFF	ON	OFF
IRQ7	OFF	OFF	OFF	OFF	ON

### **Base I/O Address**

	SW1		
	S1	S2	S3
260h	ON	ON	ON
290h	ON	ON	OFF
2E0h	ON	OFF	ON
2F0h	ON	OFF	OFF
300h	OFF	ON	ON
350h	OFF	ON	OFF
380h	OFF	OFF	ON
3E0h	OFF	OFF	OFF

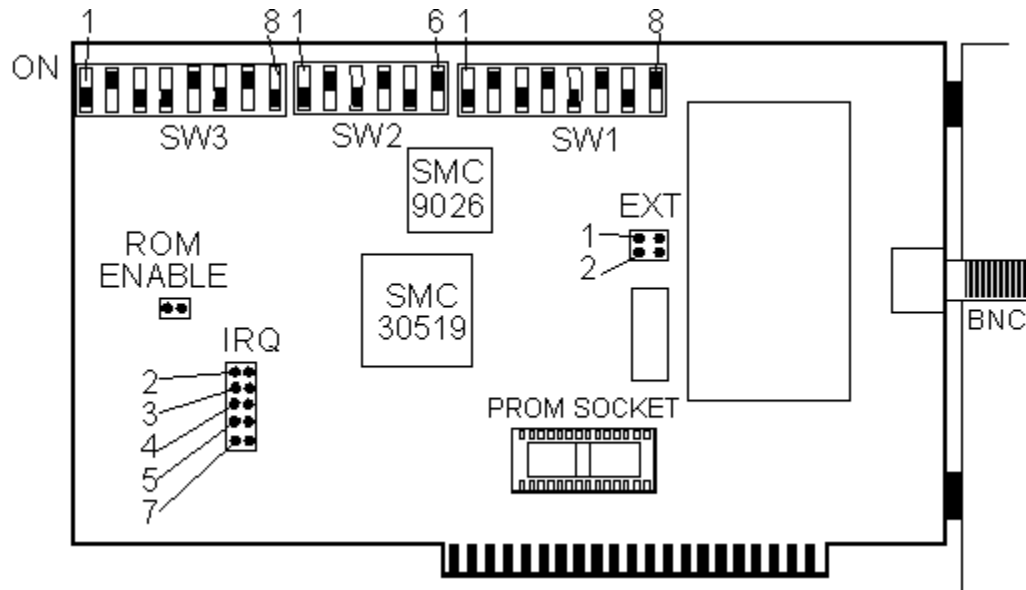
### **Base Memory Address**

	SW1				
	S4	S5	S6	S7	S8
C000h	ON	ON	ON	ON	ON
D000h	ON	OFF	OFF	ON	ON

### **Cabling for this Adapter**

Thin Ethernet via BNC Connector

## SMC ARCNET PC220-120



This is the SMC ARCNET PC220-120 Network Adapter card shown. Listed below are the possible Interrupt Request Line (IRQ), Base I/O Address, and Base Memory Address jumper/switch configurations:

### Interrupt Request Line (IRQ)

	J2	J3	J4	J5	J7
IRQ2	ON	OFF	OFF	OFF	OFF
IRQ3	OFF	ON	OFF	OFF	OFF
IRQ4	OFF	OFF	ON	OFF	OFF
IRQ5	OFF	OFF	OFF	ON	OFF
IRQ7	OFF	OFF	OFF	OFF	ON

### Base I/O Address

	SW2					
	S1	S2	S3	S4	S5	S6
200h	OFF	ON	ON	ON	ON	ON
210h	OFF	ON	ON	ON	ON	OFF
220h	OFF	ON	ON	ON	OFF	ON
230h	OFF	ON	ON	ON	OFF	OFF
240h	OFF	ON	ON	OFF	ON	ON
250h	OFF	ON	ON	OFF	ON	OFF
260h	OFF	ON	ON	OFF	OFF	ON
270h	OFF	ON	ON	OFF	OFF	OFF
280h	OFF	ON	OFF	ON	ON	ON
290h	OFF	ON	OFF	ON	ON	OFF
2A0h	OFF	ON	OFF	ON	OFF	ON
2B0h	OFF	ON	OFF	ON	OFF	OFF
2C0h	OFF	ON	OFF	OFF	ON	ON
2D0h	OFF	ON	OFF	OFF	ON	OFF
2E0h	OFF	ON	OFF	OFF	OFF	ON
2F0h	OFF	ON	OFF	OFF	OFF	OFF

300h	OFF	OFF	ON	ON	ON	ON
310h	OFF	OFF	ON	ON	ON	OFF
320h	OFF	OFF	ON	ON	OFF	ON
330h	OFF	OFF	ON	ON	OFF	OFF
340h	OFF	OFF	ON	OFF	ON	ON
350h	OFF	OFF	ON	OFF	ON	OFF
360h	OFF	OFF	ON	OFF	OFF	ON
370h	OFF	OFF	ON	OFF	OFF	OFF
380h	OFF	OFF	OFF	ON	ON	ON
390h	OFF	OFF	OFF	ON	ON	OFF
3A0h	OFF	OFF	OFF	ON	OFF	ON
3B0h	OFF	OFF	OFF	ON	OFF	OFF
3C0h	OFF	OFF	OFF	OFF	ON	ON
3D0h	OFF	OFF	OFF	OFF	ON	OFF
3E0h	OFF	OFF	OFF	OFF	OFF	ON
3F0h	OFF	OFF	OFF	OFF	OFF	OFF

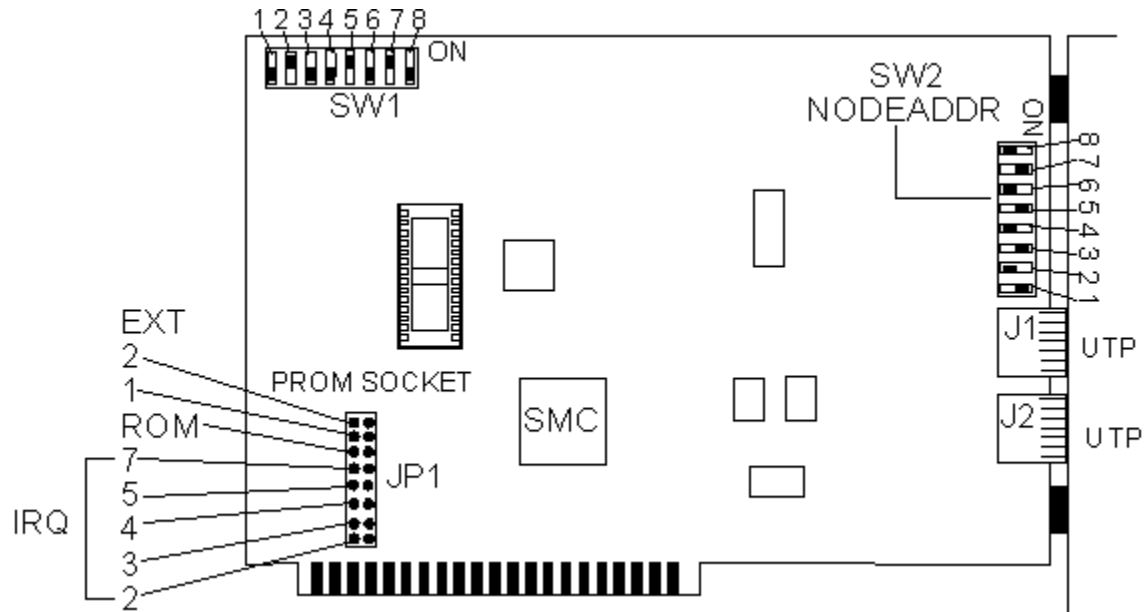
**Base Memory Address**

	SW3							
	S1	S2	S3	S4	S5	S6	S7	S8
C000h	OFF	OFF	ON	ON	ON	ON	ON	ON
C800h	OFF	OFF	ON	ON	OFF	ON	ON	ON
D000h	OFF	OFF	ON	OFF	ON	ON	ON	ON

**Cabling for this Adapter**

Thin Ethernet via BNC Connector

## **SMC ARCNET PC270-E**



This is the SMC ARCNET PC270-E Network Adapter card shown. Listed below are the possible Interrupt Request Line (IRQ), Base I/O Address, and Base Memory Address jumper/switch configurations:

### **Interrupt Request Line (IRQ)**

	J2	J3	J4	J5	J7
IRQ2	ON	OFF	OFF	OFF	OFF
IRQ3	OFF	ON	OFF	OFF	OFF
IRQ4	OFF	OFF	ON	OFF	OFF
IRQ5	OFF	OFF	OFF	ON	OFF
IRQ7	OFF	OFF	OFF	OFF	ON

### **Base I/O Address**

	SW1		
	S1	S2	S3
260h	ON	ON	ON
290h	ON	ON	OFF
2E0h	ON	OFF	ON
2F0h	ON	OFF	OFF
300h	OFF	ON	ON
350h	OFF	ON	OFF
380h	OFF	OFF	ON
3E0h	OFF	OFF	OFF

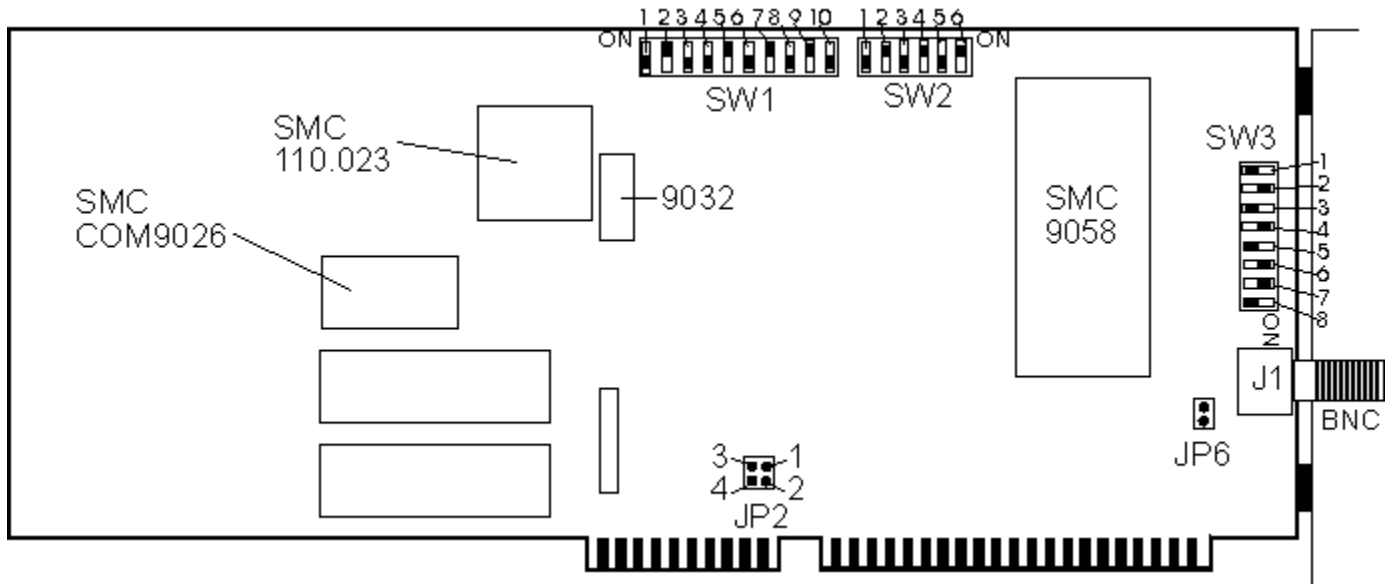
### **Base Memory Address**

	SW1				
	S4	S5	S6	S7	S8
C000h	ON	ON	ON	ON	ON
D000h	ON	OFF	OFF	ON	ON

**Cabling for this Adapter**

Unshielded Twisted Pair via RJ-45 Connector

## SMC ARCNET PC500



This is the SMC ARCNET PC500 Network Adapter card shown. Listed below are the possible Interrupt Request Line (IRQ), Base I/O Address, and Base Memory Address jumper/switch configurations:

### Interrupt Request Line (IRQ)

	SW1			
	S7	S8	S9	S10
IRQ3	OFF	OFF	ON	ON
IRQ4	ON	ON	OFF	ON
IRQ5	OFF	ON	OFF	ON
IRQ7	OFF	OFF	OFF	ON
IRQ9	OFF	ON	ON	OFF
IRQ10	ON	OFF	ON	OFF
IRQ11	OFF	OFF	ON	OFF
IRQ12	ON	ON	OFF	OFF

### Base I/O Address

	SW1					
	S1	S2	S3	S4	S5	S6
200h	ON	ON	ON	ON	ON	OFF
210h	OFF	ON	ON	ON	ON	OFF
220h	ON	OFF	ON	ON	ON	OFF
230h	OFF	OFF	ON	ON	ON	OFF
240h	ON	ON	OFF	ON	ON	OFF
250h	OFF	ON	OFF	ON	ON	OFF
260h	ON	OFF	OFF	ON	ON	OFF
270h	OFF	OFF	OFF	ON	ON	OFF
280h	ON	ON	ON	OFF	ON	OFF
290h	OFF	ON	ON	OFF	ON	OFF
2A0h	ON	OFF	ON	OFF	ON	OFF
2B0h	OFF	OFF	ON	OFF	ON	OFF

2C0h	ON	ON	OFF	OFF	ON	OFF
2D0h	OFF	ON	OFF	OFF	ON	OFF
2E0h	ON	OFF	OFF	OFF	ON	OFF
2F0h	OFF	OFF	OFF	OFF	ON	OFF
300h	ON	ON	ON	ON	OFF	OFF
310h	OFF	ON	ON	ON	OFF	OFF
320h	ON	OFF	ON	ON	OFF	OFF
330h	OFF	OFF	ON	ON	OFF	OFF
340h	ON	ON	OFF	ON	OFF	OFF
350h	OFF	ON	OFF	ON	OFF	OFF
360h	ON	OFF	OFF	ON	OFF	OFF
370h	OFF	OFF	OFF	ON	OFF	OFF
380h	ON	ON	ON	OFF	OFF	OFF
390h	OFF	ON	ON	OFF	OFF	OFF
3A0h	ON	OFF	ON	OFF	OFF	OFF
3B0h	OFF	OFF	ON	OFF	OFF	OFF
3C0h	ON	ON	OFF	OFF	OFF	OFF
3D0h	OFF	ON	OFF	OFF	OFF	OFF
3E0h	ON	OFF	OFF	OFF	OFF	OFF
3F0h	OFF	OFF	OFF	OFF	OFF	OFF

**Base Memory Address**

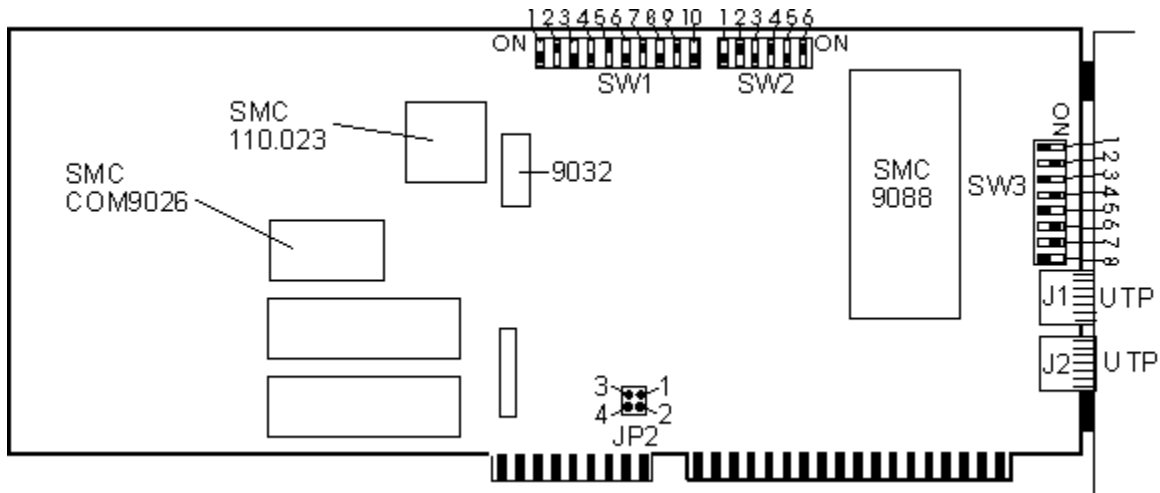
NOT USED

**Cabling for this Adapter**

Thin Ethernet via BNC Connector



## SMC ARCNET PC550



This is the SMC ARCNET PC550 Network Adapter card shown. Listed below are the possible Interrupt Request Line (IRQ), Base I/O Address, and Base Memory Address jumper/switch configurations:

### Interrupt Request Line (IRQ)

	SW1			
	S7	S8	S9	S10
IRQ3	OFF	OFF	ON	ON
IRQ4	ON	ON	OFF	ON
IRQ5	OFF	ON	OFF	ON
IRQ7	OFF	OFF	OFF	ON
IRQ9	OFF	ON	ON	OFF
IRQ10	ON	OFF	ON	OFF
IRQ11	OFF	OFF	ON	OFF
IRQ12	ON	ON	OFF	OFF

### Base I/O Address

	SW1					
	S1	S2	S3	S4	S5	S6
200h	ON	ON	ON	ON	ON	OFF
210h	OFF	ON	ON	ON	ON	OFF
220h	ON	OFF	ON	ON	ON	OFF
230h	OFF	OFF	ON	ON	ON	OFF
240h	ON	ON	OFF	ON	ON	OFF
250h	OFF	ON	OFF	ON	ON	OFF
260h	ON	OFF	OFF	ON	ON	OFF
270h	OFF	OFF	OFF	ON	ON	OFF
280h	ON	ON	ON	OFF	ON	OFF
290h	OFF	ON	ON	OFF	ON	OFF
2A0h	ON	OFF	ON	OFF	ON	OFF
2B0h	OFF	OFF	ON	OFF	ON	OFF
2C0h	ON	ON	OFF	OFF	ON	OFF
2D0h	OFF	ON	OFF	OFF	ON	OFF
2E0h	ON	OFF	OFF	OFF	ON	OFF

2F0h	OFF	OFF	OFF	OFF	ON	OFF
300h	ON	ON	ON	ON	OFF	OFF
310h	OFF	ON	ON	ON	OFF	OFF
320h	ON	OFF	ON	ON	OFF	OFF
330h	OFF	OFF	ON	ON	OFF	OFF
340h	ON	ON	OFF	ON	OFF	OFF
350h	OFF	ON	OFF	ON	OFF	OFF
360h	ON	OFF	OFF	ON	OFF	OFF
370h	OFF	OFF	OFF	ON	OFF	OFF
380h	ON	ON	ON	OFF	OFF	OFF
390h	OFF	ON	ON	OFF	OFF	OFF
3A0h	ON	OFF	ON	OFF	OFF	OFF
3B0h	OFF	OFF	ON	OFF	OFF	OFF
3C0h	ON	ON	OFF	OFF	OFF	OFF
3D0h	OFF	ON	OFF	OFF	OFF	OFF
3E0h	ON	OFF	OFF	OFF	OFF	OFF
3F0h	OFF	OFF	OFF	OFF	OFF	OFF

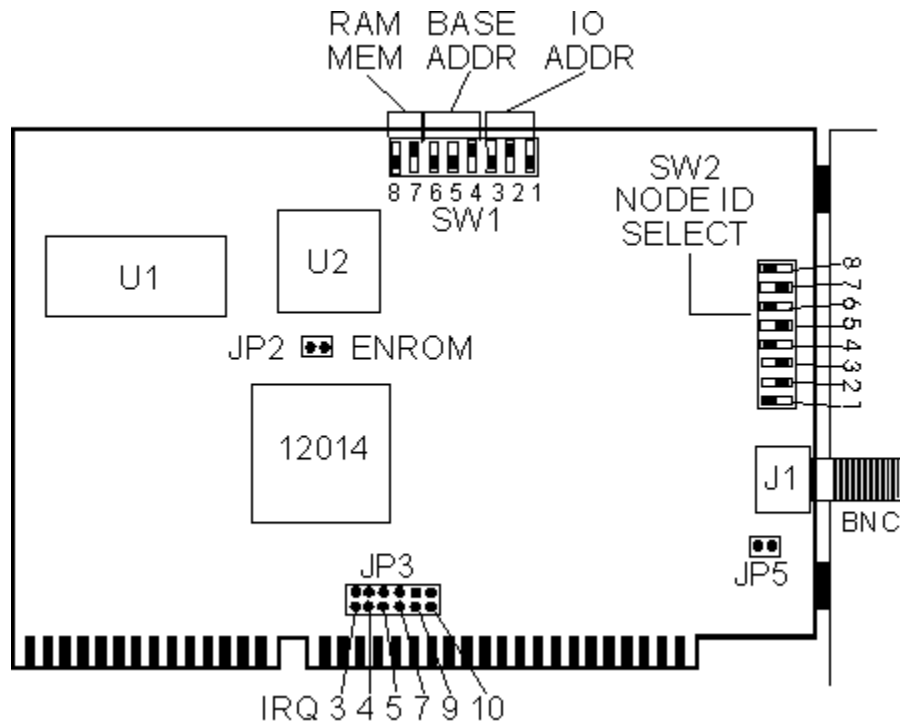
**Base Memory Address**

NOT USED

**Cabling for this Adapter**

Unshielded Twisted Pair via RJ-45 Connector

## SMC ARCNET PC600



This is the SMC ARCNET PC600 Network Adapter card shown. Listed below are the possible Interrupt Request Line (IRQ), Base I/O Address, and Base Memory Address jumper/switch configurations:

### Interrupt Request Line (IRQ)

	JP3					
	J3	J4	J5	J7	J9	J10
IRQ3	ON	OFF	OFF	OFF	OFF	OFF
IRQ4	OFF	ON	OFF	OFF	OFF	OFF
IRQ5	OFF	OFF	ON	OFF	OFF	OFF
IRQ7	OFF	OFF	OFF	ON	OFF	OFF
IRQ9	OFF	OFF	OFF	OFF	ON	OFF
IRQ10	OFF	OFF	OFF	OFF	OFF	ON

### Base I/O Address

	SW1		
	S1	S2	S3
260h	ON	ON	ON
290h	ON	ON	OFF
2E0h	ON	OFF	ON
2F0h	ON	OFF	OFF
300h	OFF	ON	ON
350h	OFF	ON	OFF
380h	OFF	OFF	ON
3E0h	OFF	OFF	OFF

**Base Memory Address**

	SW2				
	S4	S5	S6	S7	S8
C000h	ON	ON	ON	ON	ON
D000h	ON	OFF	OFF	ON	ON

**Cabling for this Adapter**

Thin Ethernet via BNC Connector

## **Thomas Conrad**

Windows 95 Adapter help currently includes the following Thomas Conrad network cards:

TC6045

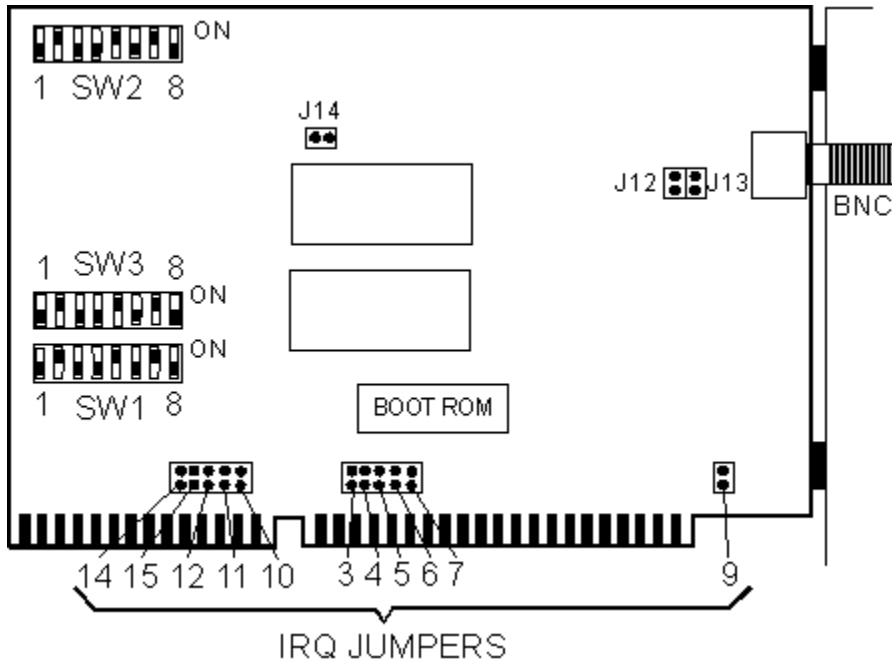
TC6142

TC6145

TC6242

TC6245

## TC6045



This is the Thomas Conrad TC6045 Network Adapter card shown. Listed below are the possible Interrupt Request Line (IRQ), Base I/O Address, and Base Memory Address jumper/switch configurations:

### Interrupt Request Line (IRQ)

	J14	J15	J12	J11	J10	J3	J4	J5	J6	J7	J9
IRQ3	OFF	OFF	OFF	OFF	OFF	ON	OFF	OFF	OFF	OFF	OFF
IRQ4	OFF	OFF	OFF	OFF	OFF	OFF	ON	OFF	OFF	OFF	OFF
IRQ5	OFF	OFF	OFF	OFF	OFF	OFF	OFF	ON	OFF	OFF	OFF
IRQ6	OFF	OFF	OFF	OFF	OFF	OFF	OFF	OFF	ON	OFF	OFF
IRQ7	OFF	OFF	OFF	OFF	OFF	OFF	OFF	OFF	OFF	ON	OFF
IRQ9	OFF	OFF	OFF	OFF	OFF	OFF	OFF	OFF	OFF	OFF	ON
IRQ10	OFF	OFF	OFF	OFF	ON	OFF	OFF	OFF	OFF	OFF	OFF
IRQ11	OFF	OFF	OFF	ON	OFF	OFF	OFF	OFF	OFF	OFF	OFF
IRQ12	OFF	OFF	ON	OFF	OFF	OFF	OFF	OFF	OFF	OFF	OFF
IRQ14	ON	OFF	OFF	OFF	OFF	OFF	OFF	OFF	OFF	OFF	OFF
IRQ15	OFF	ON	OFF	OFF	OFF	OFF	OFF	OFF	OFF	OFF	OFF

### Base I/O Address

	SW3					
	S3	S4	S5	S6	S7	S8
2E0h	OFF	ON	OFF	OFF	OFF	ON
2F0h	OFF	ON	OFF	OFF	OFF	OFF
300h	OFF	OFF	ON	ON	ON	ON
350h	OFF	OFF	ON	OFF	ON	OFF

### Base Memory Address

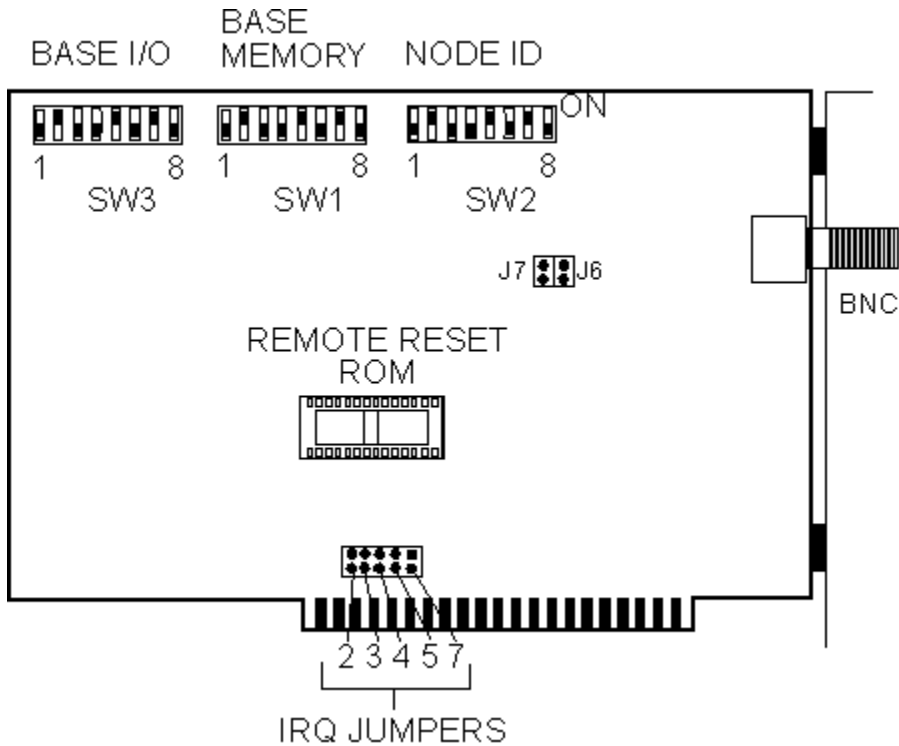
SW1								SW3	
S1	S2	S3	S4	S5	S6	S7	S8	S1	S2

C000h	ON	ON	ON	OFF	OFF	ON	ON	ON	ON
C400h	ON	ON	ON	OFF	OFF	ON	ON	ON	OFF
C800h	ON	ON	ON	OFF	OFF	ON	ON	OFF	ON
CC00h	ON	ON	ON	OFF	OFF	ON	ON	OFF	OFF
D000h	ON	ON	ON	OFF	OFF	ON	OFF	ON	ON
D400h	ON	ON	ON	OFF	OFF	ON	OFF	ON	OFF
D800h	ON	ON	ON	OFF	OFF	ON	OFF	OFF	ON
DC00h	ON	ON	ON	OFF	OFF	ON	OFF	OFF	OFF

**Cabling for this Adapter**

Thin Ethernet via BNC Connector

## **TC6142**



This is the Thomas Conrad TC6142 Network Adapter card shown. Listed below are the possible Interrupt Request Line (IRQ), Base I/O Address, and Base Memory Address jumper/switch configurations:

### **Interrupt Request Line (IRQ)**

	J3	J4	J5	J7	J2
IRQ2	OFF	OFF	OFF	OFF	ON
IRQ3	ON	OFF	OFF	OFF	OFF
IRQ4	OFF	ON	OFF	OFF	OFF
IRQ5	OFF	OFF	ON	OFF	OFF
IRQ7	OFF	OFF	OFF	ON	OFF

### **Base I/O Address**

	SW3					
	S3	S4	S5	S6	S7	S8
2E0h	OFF	ON	OFF	OFF	OFF	ON
2F0h	OFF	ON	OFF	OFF	OFF	OFF
300h	OFF	OFF	ON	ON	ON	ON
350h	OFF	OFF	ON	OFF	ON	OFF

### **Base Memory Address**

	SW1					
	S1	S2	S3	S4	S5	S6
C000h	OFF	OFF	ON	ON	ON	ON
C400h	OFF	OFF	ON	ON	ON	OFF
C800h	OFF	OFF	ON	ON	OFF	ON

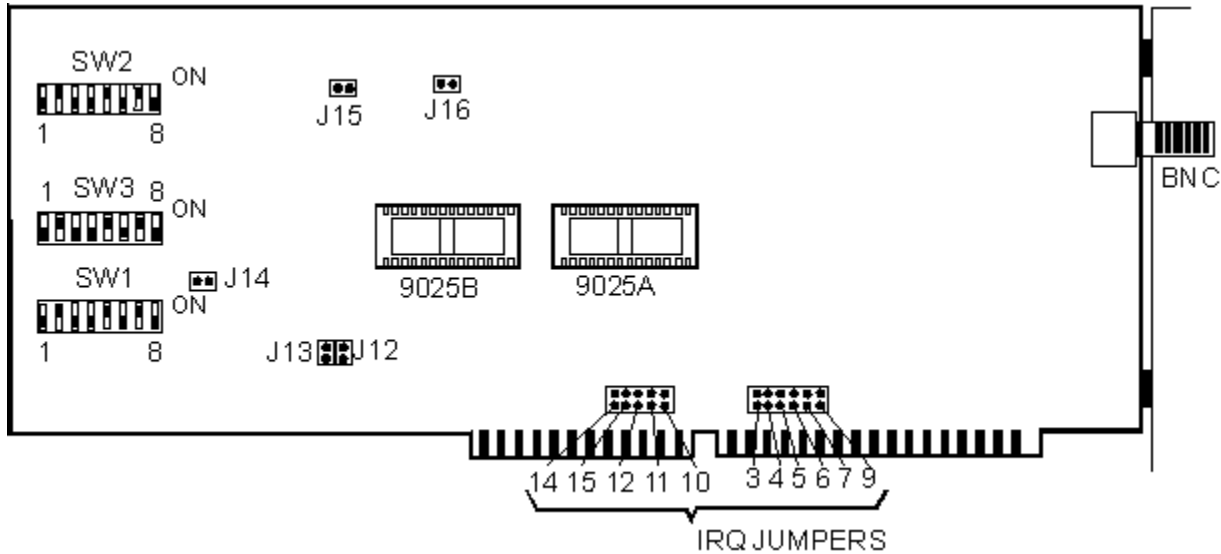


CC00h	OFF	OFF	ON	ON	OFF	OFF
<i>D000h</i>	<i>OFF</i>	<i>OFF</i>	<i>ON</i>	<i>OFF</i>	<i>ON</i>	<i>ON</i>
D400h	OFF	OFF	ON	OFF	ON	OFF
D800h	OFF	OFF	ON	OFF	OFF	ON
DC00h	OFF	OFF	ON	OFF	OFF	OFF

**Cabling for this Adapter**

Thin Ethernet via BNC Connector

## TC6145



This is the Thomas Conrad TC6145 Network Adapter card shown. Listed below are the possible Interrupt Request Line (IRQ), Base I/O Address, and Base Memory Address jumper/switch configurations:

### Interrupt Request Line (IRQ)

	J14	J15	J12	J11	J10	J3	J4	J5	J6	J7	J9
IRQ3	OFF	OFF	OFF	OFF	OFF	ON	OFF	OFF	OFF	OFF	OFF
IRQ4	OFF	OFF	OFF	OFF	OFF	OFF	ON	OFF	OFF	OFF	OFF
IRQ5	OFF	OFF	OFF	OFF	OFF	OFF	OFF	ON	OFF	OFF	OFF
IRQ6	OFF	OFF	OFF	OFF	OFF	OFF	OFF	OFF	ON	OFF	OFF
IRQ7	OFF	OFF	OFF	OFF	OFF	OFF	OFF	OFF	OFF	ON	OFF
IRQ9	OFF	OFF	OFF	OFF	OFF	OFF	OFF	OFF	OFF	OFF	ON
IRQ10	OFF	OFF	OFF	OFF	ON	OFF	OFF	OFF	OFF	OFF	OFF
IRQ11	OFF	OFF	OFF	ON	OFF	OFF	OFF	OFF	OFF	OFF	OFF
IRQ12	OFF	OFF	ON	OFF	OFF	OFF	OFF	OFF	OFF	OFF	OFF
IRQ14	ON	OFF	OFF	OFF	OFF	OFF	OFF	OFF	OFF	OFF	OFF
IRQ15	OFF	ON	OFF	OFF	OFF	OFF	OFF	OFF	OFF	OFF	OFF

### Base I/O Address

	SW3					
	S3	S4	S5	S6	S7	S8
2E0h	OFF	ON	OFF	OFF	OFF	ON
2F0h	OFF	ON	OFF	OFF	OFF	OFF
300h	OFF	OFF	ON	ON	ON	ON
350h	OFF	OFF	ON	OFF	ON	OFF

### Base Memory Address

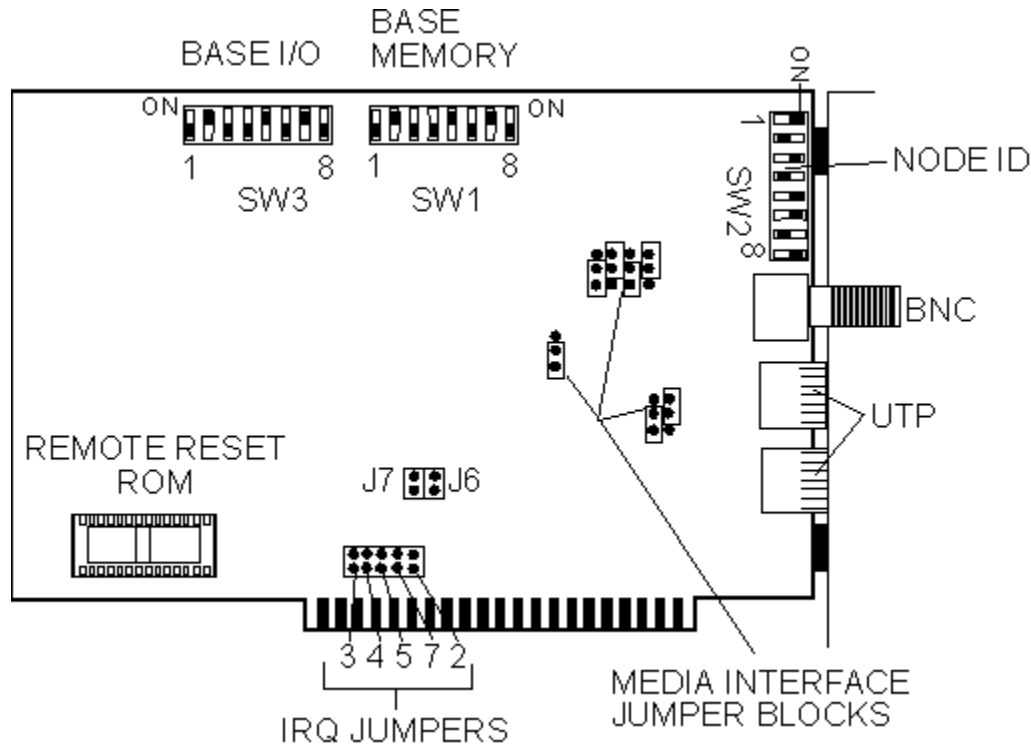
	SW1								SW3	
	S1	S2	S3	S4	S5	S6	S7	S8	S1	S2
C000h	ON	ON	ON	ON	OFF	OFF	ON	ON	ON	ON
C400h	ON	ON	ON	ON	OFF	OFF	ON	ON	ON	OFF
C800h	ON	ON	ON	ON	OFF	OFF	ON	ON	OFF	ON
CC00h	ON	ON	ON	ON	OFF	OFF	ON	ON	OFF	OFF

<i>D000h</i>	<i>ON</i>	<i>ON</i>	<i>ON</i>	<i>OFF</i>	<i>OFF</i>	<i>ON</i>	<i>OFF</i>	<i>ON</i>	<i>ON</i>
D400h	ON	ON	ON	OFF	OFF	ON	OFF	ON	OFF
D800h	ON	ON	ON	OFF	OFF	ON	OFF	OFF	ON
DC00h	ON	ON	ON	OFF	OFF	ON	OFF	OFF	OFF

**Cabling for this Adapter**

Thin Ethernet via BNC Connector

## TC6242



This is the Thomas Conrad TC6242 Network Adapter card shown. Listed below are the possible Interrupt Request Line (IRQ), Base I/O Address, and Base Memory Address jumper/switch configurations:

### Interrupt Request Line (IRQ)

	J3	J4	J5	J7	J2
IRQ2	OFF	OFF	OFF	OFF	ON
IRQ3	ON	OFF	OFF	OFF	OFF
IRQ4	OFF	ON	OFF	OFF	OFF
IRQ5	OFF	OFF	ON	OFF	OFF
IRQ7	OFF	OFF	OFF	ON	OFF

### Base I/O Address

	SW3					
	S3	S4	S5	S6	S7	S8
2E0h	OFF	ON	OFF	OFF	OFF	ON
2F0h	OFF	ON	OFF	OFF	OFF	OFF
300h	OFF	OFF	ON	ON	ON	ON
350h	OFF	OFF	ON	OFF	ON	OFF

### Base Memory Address

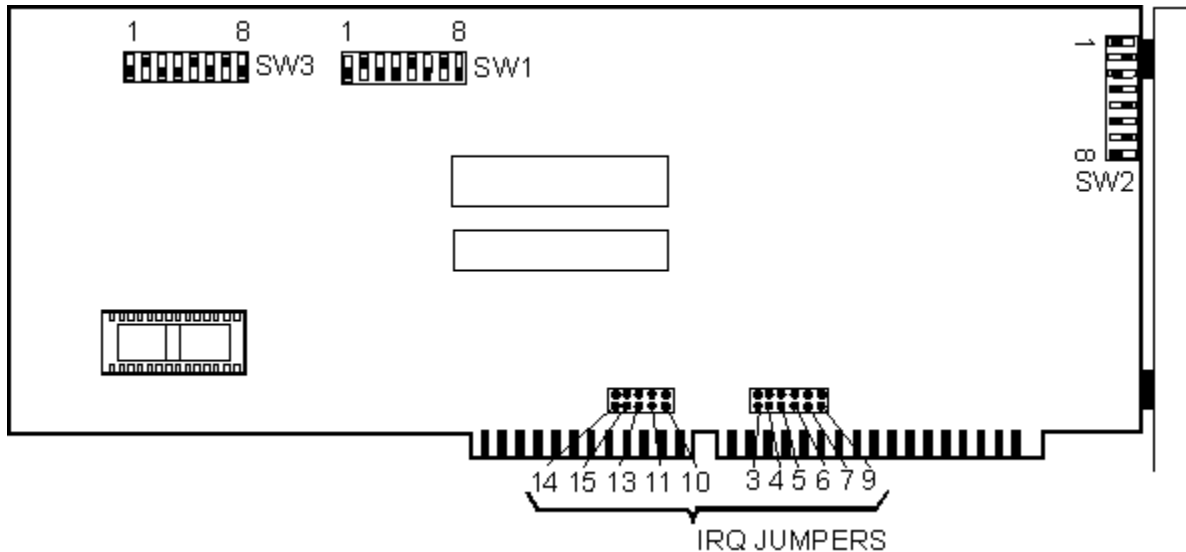
	SW1					
	S1	S2	S3	S4	S5	S6
C000h	OFF	OFF	ON	ON	ON	ON
C400h	OFF	OFF	ON	ON	ON	OFF
C800h	OFF	OFF	ON	ON	OFF	ON

CC00h	OFF	OFF	ON	ON	OFF	OFF
D000h	OFF	OFF	ON	OFF	ON	ON
D400h	OFF	OFF	ON	OFF	ON	OFF
D800h	OFF	OFF	ON	OFF	OFF	ON
DC00h	OFF	OFF	ON	OFF	OFF	OFF

**Cabling for this Adapter**

Unshielded Twisted Pair via RJ-45 Connector  
Thin Ethernet via BNC Connector

## TC6245



This is the Thomas Conrad TC6245 Network Adapter card shown. Listed below are the possible Interrupt Request Line (IRQ), Base I/O Address, and Base Memory Address jumper/switch configurations:

### Interrupt Request Line (IRQ)

	J14	J15	J13	J11	J10	J3	J4	J5	J6	J7	J9
IRQ3	OFF	OFF	OFF	OFF	OFF	ON	OFF	OFF	OFF	OFF	OFF
IRQ4	OFF	OFF	OFF	OFF	OFF	OFF	ON	OFF	OFF	OFF	OFF
IRQ5	OFF	OFF	OFF	OFF	OFF	OFF	OFF	ON	OFF	OFF	OFF
IRQ6	OFF	OFF	OFF	OFF	OFF	OFF	OFF	OFF	ON	OFF	OFF
IRQ7	OFF	OFF	OFF	OFF	OFF	OFF	OFF	OFF	OFF	ON	OFF
IRQ9	OFF	OFF	OFF	OFF	OFF	OFF	OFF	OFF	OFF	OFF	ON
IRQ10	OFF	OFF	OFF	OFF	ON	OFF	OFF	OFF	OFF	OFF	OFF
IRQ11	OFF	OFF	OFF	ON	OFF	OFF	OFF	OFF	OFF	OFF	OFF
IRQ13	OFF	OFF	ON	OFF	OFF	OFF	OFF	OFF	OFF	OFF	OFF
IRQ14	ON	OFF	OFF	OFF	OFF	OFF	OFF	OFF	OFF	OFF	OFF
IRQ15	OFF	ON	OFF	OFF	OFF	OFF	OFF	OFF	OFF	OFF	OFF

### Base I/O Address

	SW3					
	S3	S4	S5	S6	S7	S8
2E0h	OFF	ON	OFF	OFF	OFF	ON
2F0h	OFF	ON	OFF	OFF	OFF	OFF
380h	OFF	OFF	ON	ON	ON	ON
350h	OFF	OFF	ON	OFF	ON	OFF

### Base Memory Address

	SW1					
	S1	S2	S3	S4	S5	S6
C000h	OFF	OFF	ON	ON	ON	ON
C400h	OFF	OFF	ON	ON	ON	OFF
C800h	OFF	OFF	ON	ON	OFF	ON

CC00h	OFF	OFF	ON	ON	OFF	OFF
<i>D000h</i>	<i>OFF</i>	<i>OFF</i>	<i>ON</i>	<i>OFF</i>	<i>ON</i>	<i>ON</i>
D400h	OFF	OFF	ON	OFF	ON	OFF
D800h	OFF	OFF	ON	OFF	OFF	ON
DC00h	OFF	OFF	ON	OFF	OFF	OFF

**Cabling for this Adapter**

Unshielded Twisted Pair via RJ-45 Connector

## **Toshiba**

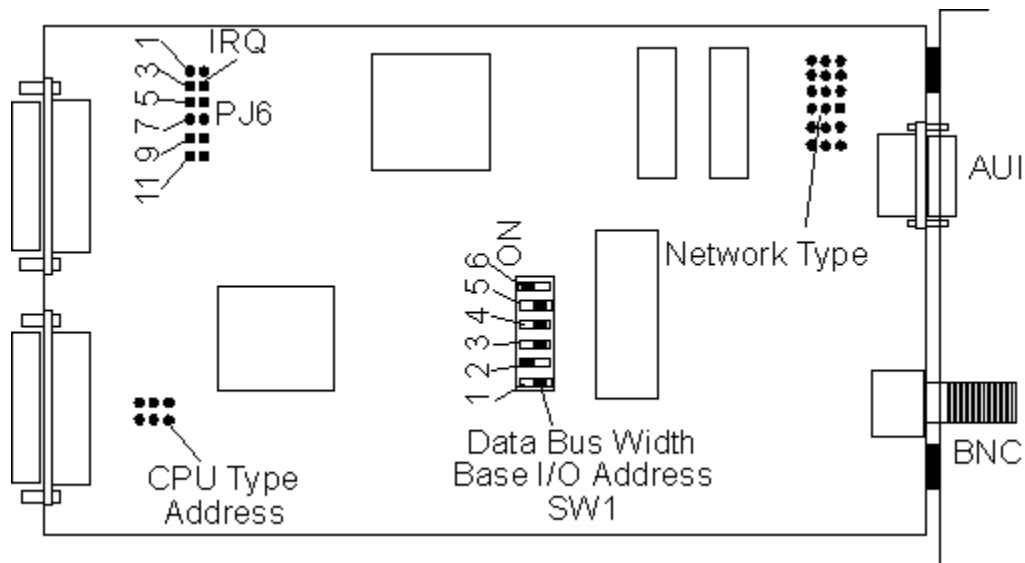
Windows 95 Adapter help currently includes the following Toshiba network cards:

ToshibaLan Laptop

ToshibaLan Desktop



## ToshibaLan Laptop



This is the Toshiba ToshibaLan Laptop Network Adapter card shown. Listed below are the possible Interrupt Request Line (IRQ), Base I/O Address, and Base Memory Address jumper/switch configurations:

### Interrupt Request Line (IRQ)

	PJ6					
	J1-2	J3-4	J5-6	J7-8	J9-10	J11-12
IRQ3	OFF	OFF	OFF	OFF	OFF	ON
IRQ4	OFF	OFF	OFF	OFF	ON	OFF
IRQ5	OFF	OFF	ON	OFF	OFF	OFF
IRQ7	ON	OFF	OFF	OFF	OFF	OFF
IRQ9	OFF	OFF	OFF	ON	OFF	OFF
IRQ10	OFF	ON	OFF	OFF	OFF	OFF

### Base I/O Address

	SW1			
	S3	S4	S5	S6
200h	ON	ON	ON	ON
220h	ON	ON	ON	OFF
240h	ON	ON	OFF	ON
260h	ON	ON	OFF	OFF
280h	ON	OFF	ON	ON
2A0h	ON	OFF	ON	OFF
2C0h	ON	OFF	OFF	ON
2E0h	ON	OFF	OFF	OFF
300h	OFF	ON	ON	ON
320h	OFF	ON	ON	OFF
340h	OFF	ON	OFF	ON
360h	OFF	ON	OFF	OFF
380h	OFF	OFF	ON	ON
3A0h	OFF	OFF	ON	OFF
3C0h	OFF	OFF	OFF	ON

3E0h OFF OFF OFF OFF

**Base Memory Address**

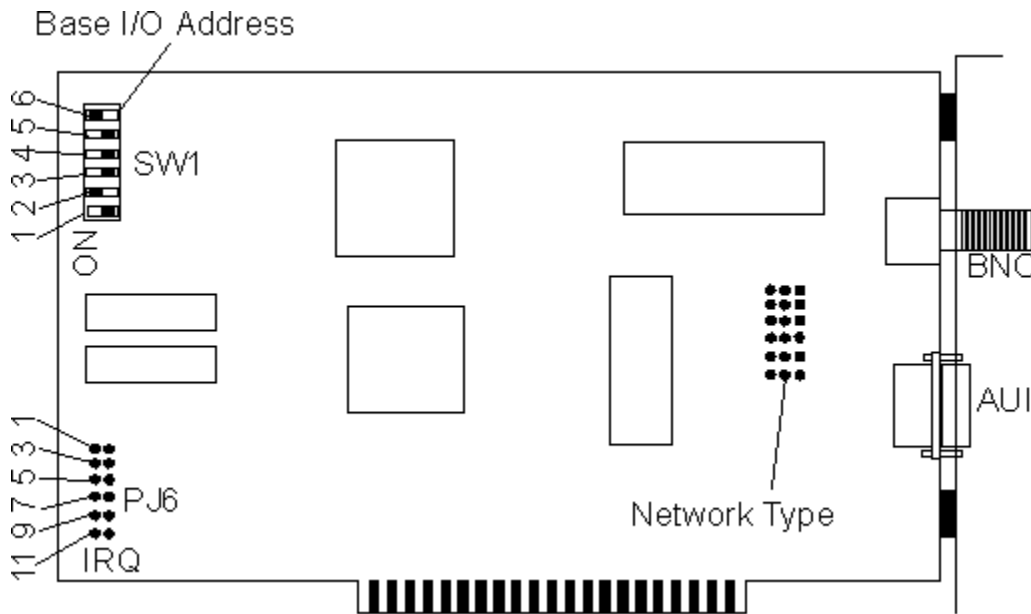
SOFTWARE CONFIGURABLE

**Cabling for this Adapter**

Thick Ethernet via AUI Connector

Thin Ethernet via BNC Connector

## ToshibaLan Desktop



This is the ToshibaLan Desktop Network Adapter card shown. Listed below are the possible Interrupt Request Line (IRQ), Base I/O Address, and Base Memory Address jumper/switch configurations:

### Interrupt Request Line (IRQ)

	PJ6					
	J1-2	J3-4	J5-6	J7-8	J9-10	J11-12
IRQ3	OFF	OFF	OFF	OFF	OFF	ON
IRQ4	OFF	OFF	OFF	OFF	ON	OFF
IRQ5	OFF	OFF	ON	OFF	OFF	OFF
IRQ7	ON	OFF	OFF	OFF	OFF	OFF
IRQ9	OFF	OFF	OFF	ON	OFF	OFF
IRQ10	OFF	ON	OFF	OFF	OFF	OFF

### Base I/O Address

	SW1			
	S3	S4	S5	S6
200h	ON	ON	ON	ON
220h	ON	ON	ON	OFF
240h	ON	ON	OFF	ON
260h	ON	ON	OFF	OFF
280h	ON	OFF	ON	ON
2A0h	ON	OFF	ON	OFF
2C0h	ON	OFF	OFF	ON
2E0h	ON	OFF	OFF	OFF
300h	OFF	ON	ON	ON
320h	OFF	ON	ON	OFF
340h	OFF	ON	OFF	ON
360h	OFF	ON	OFF	OFF
380h	OFF	OFF	ON	ON

3A0h	OFF	OFF	ON	OFF
3C0h	OFF	OFF	OFF	ON
3E0h	OFF	OFF	OFF	OFF

**Base Memory Address**

SOFTWARE CONFIGURABLE

**Cabling for this Adapter**

Thick Ethernet via AUI Connector

Thin Ethernet via BNC Connector

## **Ungerman Bass (UB)**

Windows 95 Adapter help currently includes the following Ungerman Bass network cards:

UB NIUpc

UB NIU\_ps

UB NIUpc EOTP

UB pcNIU

UB pcNIU ex 128K

UB pcNIU ex 512K

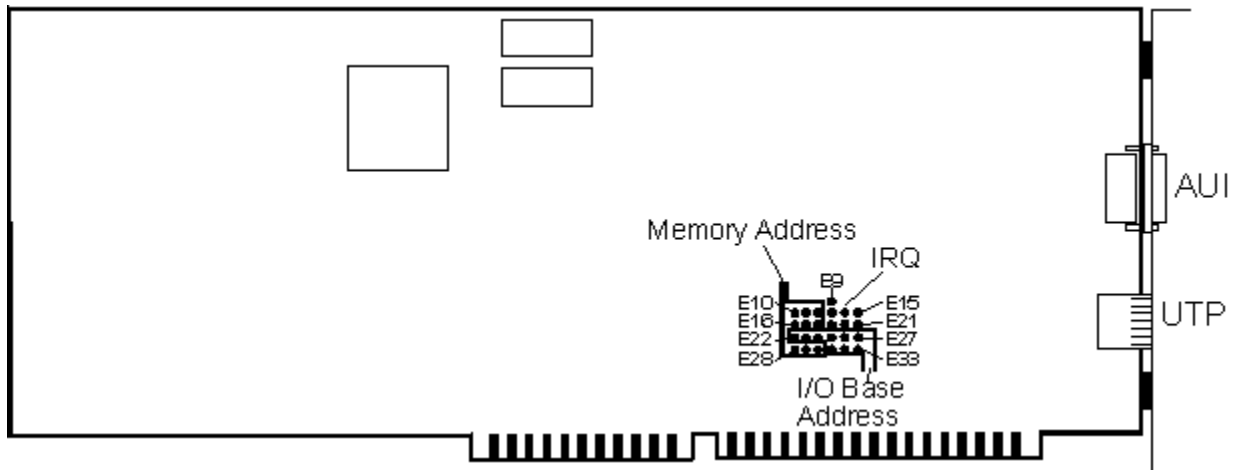
UB Network Adapter/ps

UB NIUpc3270

## **UB Network Adapter/ps**

This Network Adapter card can be configured using the software supplied by the manufacturer. Please consult the documentation that came with your Network Adapter or contact the manufacturer of the Network Adapter for further information.

## UB NIUpc



This is the Ungermann-Bass NIUpc Network Adapter card shown. Listed below are the possible Interrupt Request Line (IRQ), Base I/O Address, and Base Memory Address jumper/switch configurations:

### **Interrupt Request Line (IRQ)**

	E13-E14	E19-E20	E14-E15	E20-E21
IRQ2	ON	OFF	OFF	OFF
IRQ3	OFF	ON	OFF	OFF
IRQ4	OFF	OFF	ON	OFF
IRQ5	OFF	OFF	OFF	ON

### **Base I/O Address**

	E22-E23	E23-E24	E25-E26	E26-E27	E31-E32	E32-E33
350h	OFF	ON	OFF	ON	ON	OFF
358h	ON	OFF	OFF	ON	ON	OFF
360h	OFF	ON	ON	OFF	OFF	ON
368h	ON	OFF	ON	OFF	OFF	ON

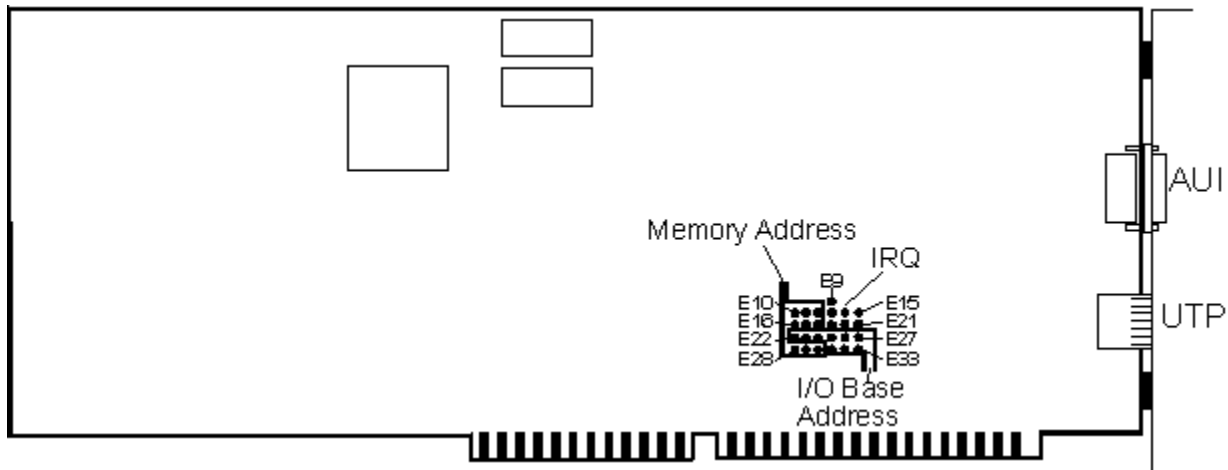
### **Base Memory Address**

	E10-E11	E11-E12	E16-E17	E17-E18	E28-E29	E29-E30
8800h	OFF	ON	OFF	ON	OFF	ON
9800h	ON	OFF	OFF	ON	OFF	ON
A800h	OFF	ON	ON	OFF	OFF	ON
B800h	ON	OFF	ON	OFF	OFF	ON
C800h	OFF	ON	OFF	ON	ON	OFF
D800h	ON	OFF	OFF	ON	ON	OFF
E800h	OFF	ON	ON	OFF	ON	OFF
F800h	ON	OFF	ON	OFF	ON	OFF

### **Cabling for this Adapter**

Unshielded Twisted Pair via RJ-45 Connector  
Thick Ethernet via AUI Connector

## UB NIUpc 3270



This is the Ungermann-Bass NIUpc3270 Network Adapter card shown. Listed below are the possible Interrupt Request Line (IRQ), Base I/O Address, and Base Memory Address jumper/switch configurations:

### **Interrupt Request Line (IRQ)**

	E13-E14	E19-E20	E14-E15	E20-E21
IRQ2	ON	OFF	OFF	OFF
IRQ3	OFF	ON	OFF	OFF
IRQ4	OFF	OFF	ON	OFF
IRQ5	OFF	OFF	OFF	ON

### **Base I/O Address**

	E22-E23	E23-E24	E25-E26	E26-E27	E31-E32	E32-E33
350h	OFF	ON	OFF	ON	ON	OFF
358h	ON	OFF	OFF	ON	ON	OFF
360h	OFF	ON	ON	OFF	OFF	ON
368h	ON	OFF	ON	OFF	OFF	ON

### **Base Memory Address**

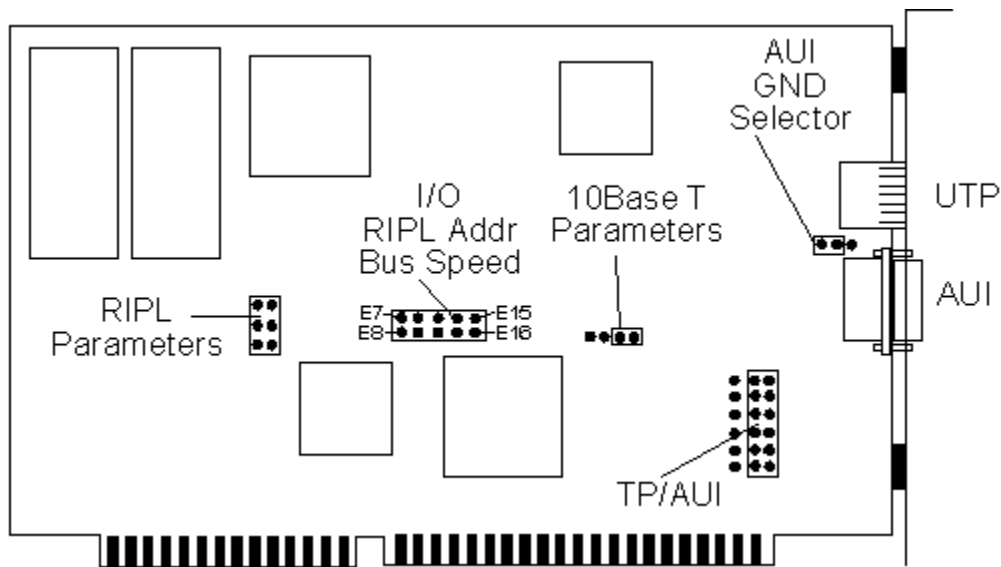
	E10-E11	E11-E12	E16-E17	E17-E18	E28-E29	E29-E30
8800h	OFF	ON	OFF	ON	OFF	ON
9800h	ON	OFF	OFF	ON	OFF	ON
A800h	OFF	ON	ON	OFF	OFF	ON
B800h	ON	OFF	ON	OFF	OFF	ON
C800h	OFF	ON	OFF	ON	ON	OFF
D800h	ON	OFF	OFF	ON	ON	OFF
E800h	OFF	ON	ON	OFF	ON	OFF
F800h	ON	OFF	ON	OFF	ON	OFF

### **Cabling for this Adapter**

Unshielded Twisted Pair via RJ-45 Connector  
Thick Ethernet via AUI Connector



## UB NIUpc EOTP



This is the Ungermann-Bass NIUpc EOTP Network Adapter card shown. Listed below are the possible Interrupt Request Line (IRQ), Base I/O Address, and Base Memory Address jumper/switch configurations:

### **Interrupt Request Line (IRQ)**

SOFTWARE CONFIGURABLE

### **Base I/O Address**

	E11-E12	E13-E14
350h	ON	ON
358h	OFF	ON
360h	ON	OFF
368h	OFF	OFF

### **Base Memory Address**

SOFTWARE CONFIGURABLE

### **TP/AUI**

	1	2	3
TP	ON	ON	OFF
AUI	OFF	ON	ON

### **Cabling for this Adapter**

- Thick Ethernet via AUI Connector
- Unshielded Twisted Pair via RJ-45 Connector

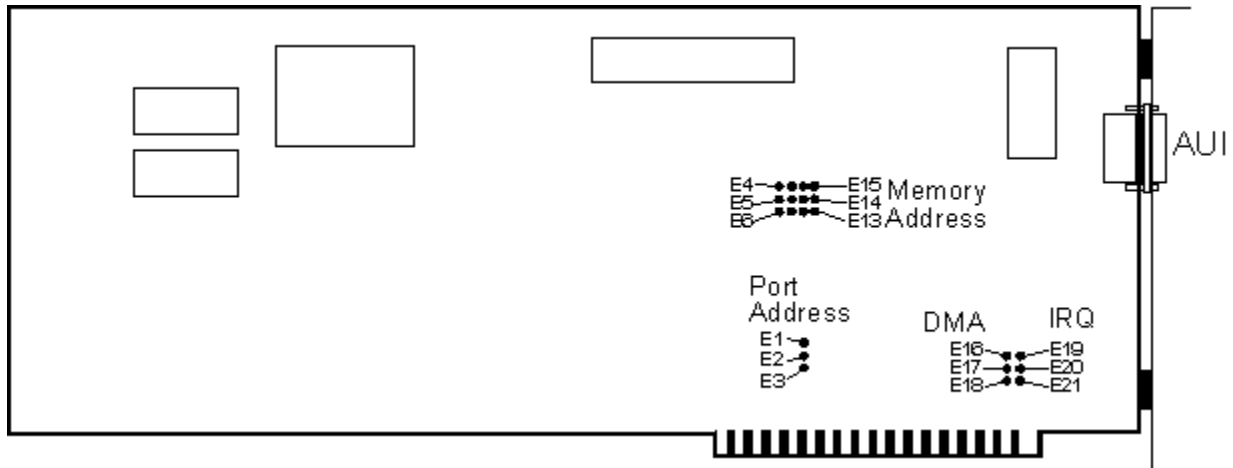
## **UB NIU ps**

This Network Adapter card is configured using the 'Reference Disk' provided with your Micro-Channel System. For further information consult the documentation provided with the Network Adapter or contact your vendor.

### **Cabling for this Adapter**

For Token-Ring, Shielded Twisted Pair (IBM Type 1) via DB-9 Connector  
For Ethernet, Thick Ethernet via AUI Connector

## UB pcNIU



This is the Ungermann-Bass pcNIU Network Adapter card shown. Listed below are the possible Interrupt Request Line (IRQ), Base I/O Address, and Base Memory Address jumper/switch configurations:

### **Interrupt Request Line (IRQ)**

	E19-E20	E20-E21
IRQ2	OFF	ON
IRQ5	ON	OFF

### **Base I/O Address**

	E1-E2	E2-E3
360h	ON	OFF
368h	OFF	ON

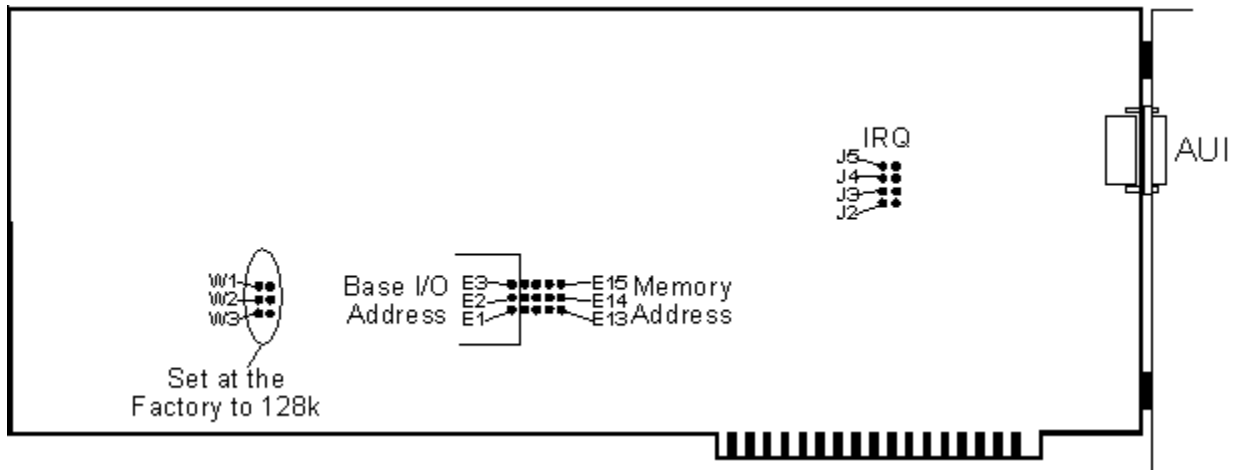
### **Base Memory Address**

	E4-E5	E5-E6	E7-E8	E8-E9	E10-E11	E11-E12	E13-E14	E14-E15
8000h	OFF	ON	ON	OFF	ON	OFF	ON	OFF
9000h	OFF	ON	ON	OFF	ON	OFF	OFF	ON
A000h	OFF	ON	ON	OFF	OFF	ON	ON	OFF
B000h	OFF	ON	ON	OFF	OFF	ON	OFF	ON
C000h	OFF	ON	OFF	ON	ON	OFF	ON	OFF
D000h	OFF	ON	OFF	ON	ON	OFF	OFF	ON
E000h	OFF	ON	OFF	ON	OFF	ON	ON	OFF
F000h	OFF	ON	OFF	ON	OFF	ON	OFF	ON

### **Cabling for this Adapter**

Thick Ethernet via AUI Connector

## UB pcNIU ex 128K



This is the Ungermann-Bass pcNIU ex 128K Network Adapter card shown. Listed below are the possible Interrupt Request Line (IRQ), Base I/O Address, and Base Memory Address jumper/switch configurations:

### **Interrupt Request Line (IRQ)**

	J2	J3	J4	J5
IRQ2	ON	OFF	OFF	OFF
IRQ3	OFF	ON	OFF	OFF
IRQ4	OFF	OFF	ON	OFF
IRQ5	OFF	OFF	OFF	ON

### **Base I/O Address**

	E1-E2	E2-E3
360h	OFF	ON
368h	ON	OFF

### **Base Memory Address (32K WINDOW)**

	E4-E5	E5-E6	E7-E8	E8-E9	E10-E11	E11-E12	E13-E14	E14-E15
8000h	OFF	ON	OFF	ON	OFF	ON	OFF	ON
8800h	OFF	ON	OFF	ON	OFF	ON	ON	OFF
9000h	OFF	ON	OFF	ON	ON	OFF	OFF	ON
9800h	OFF	ON	OFF	ON	ON	OFF	ON	OFF
A000h	OFF	ON	ON	OFF	OFF	ON	OFF	ON
A800h	OFF	ON	ON	OFF	OFF	ON	ON	OFF
B000h	OFF	ON	ON	OFF	ON	OFF	OFF	ON
B800h	OFF	ON	ON	OFF	ON	OFF	ON	OFF
C000h	ON	OFF	OFF	ON	OFF	ON	OFF	ON
C800h	ON	OFF	OFF	ON	OFF	ON	ON	OFF
D000h	ON	OFF	OFF	ON	ON	OFF	OFF	ON
D800h	ON	OFF	OFF	ON	ON	OFF	ON	OFF
E000h	ON	OFF	ON	OFF	OFF	ON	OFF	ON
E800h	ON	OFF	ON	OFF	OFF	ON	ON	OFF
F000h	ON	OFF	ON	OFF	ON	OFF	OFF	ON
F800h	ON	OFF	ON	OFF	ON	OFF	ON	OFF

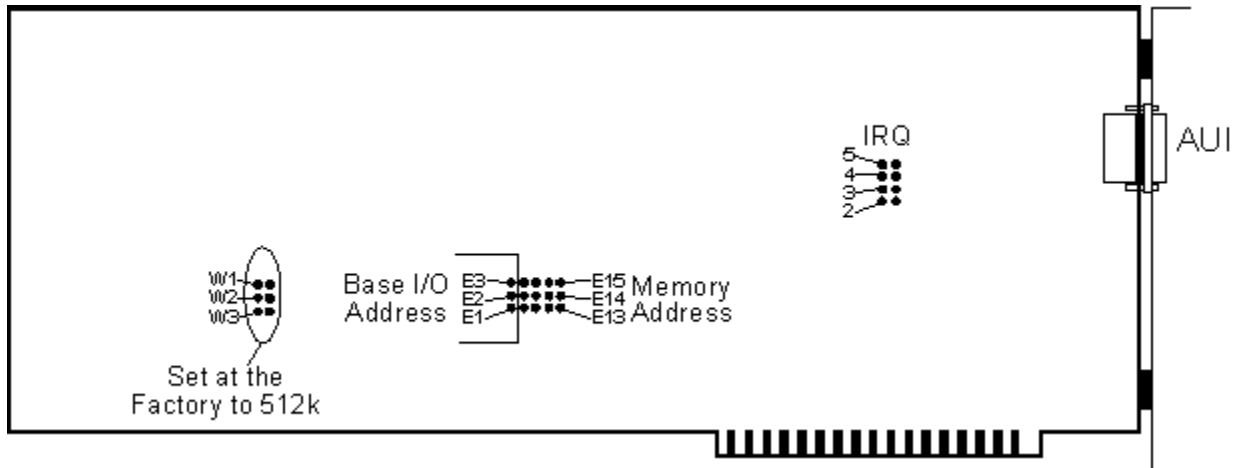
**Base Memory Address (64K WINDOW)**

	E4-E5	E5-E6	E7-E8	E8-E9	E10-E11	E11-E12	E13-E14	E14-E15
8000h	OFF	ON	OFF	ON	OFF	ON	OFF	OFF
9000h	OFF	ON	OFF	ON	ON	OFF	OFF	OFF
A000h	OFF	ON	ON	OFF	OFF	ON	OFF	OFF
B000h	OFF	ON	ON	OFF	ON	OFF	OFF	OFF
C000h	ON	OFF	OFF	ON	OFF	ON	OFF	OFF
D000h	ON	OFF	OFF	ON	ON	OFF	OFF	OFF
E000h	ON	OFF	ON	OFF	OFF	ON	OFF	OFF
F000h	ON	OFF	ON	OFF	ON	OFF	OFF	OFF

**Cabling for this Adapter**

Thick Ethernet via AUI Connector

## **UB pcNIU ex 512K**



This is the Ungermann-Bass pcNIU ex 512K Network Adapter card shown. Listed below are the possible Interrupt Request Line (IRQ), Base I/O Address, and Base Memory Address jumper/switch configurations:

### **Interrupt Request Line (IRQ)**

	J2	J3	J4	J5
IRQ2	ON	OFF	OFF	OFF
IRQ3	OFF	ON	OFF	OFF
IRQ4	OFF	OFF	ON	OFF
IRQ5	OFF	OFF	OFF	ON

### **Base I/O Address**

	E1-E2	E2-E3
360h	OFF	ON
368h	ON	OFF

### **Base Memory Address (32K WINDOW)**

	E4-E5	E5-E6	E7-E8	E8-E9	E10-E11	E11-E12	E13-E14	E14-E15
8000h	OFF	ON	OFF	ON	OFF	ON	OFF	ON
8800h	OFF	ON	OFF	ON	OFF	ON	ON	OFF
9000h	OFF	ON	OFF	ON	ON	OFF	OFF	ON
9800h	OFF	ON	OFF	ON	ON	OFF	ON	OFF
A000h	OFF	ON	ON	OFF	OFF	ON	OFF	ON
A800h	OFF	ON	ON	OFF	OFF	ON	ON	OFF
B000h	OFF	ON	ON	OFF	ON	OFF	OFF	ON
B800h	OFF	ON	ON	OFF	ON	OFF	ON	OFF
C000h	ON	OFF	OFF	ON	OFF	ON	OFF	ON
C800h	ON	OFF	OFF	ON	OFF	ON	ON	OFF
D000h	ON	OFF	OFF	ON	ON	OFF	OFF	ON
D800h	ON	OFF	OFF	ON	ON	OFF	ON	OFF
E000h	ON	OFF	ON	OFF	OFF	ON	OFF	ON
E800h	ON	OFF	ON	OFF	OFF	ON	ON	OFF
F000h	ON	OFF	ON	OFF	ON	OFF	OFF	ON
F800h	ON	OFF	ON	OFF	ON	OFF	ON	OFF

**Base Memory Address (64K WINDOW)**

	E4-E5	E5-E6	E7-E8	E8-E9	E10-E11	E11-E12	E13-E14	E14-E15
8000h	OFF	ON	OFF	ON	OFF	ON	OFF	OFF
9000h	OFF	ON	OFF	ON	ON	OFF	OFF	OFF
A000h	OFF	ON	ON	OFF	OFF	ON	OFF	OFF
B000h	OFF	ON	ON	OFF	ON	OFF	OFF	OFF
C000h	ON	OFF	OFF	ON	OFF	ON	OFF	OFF
D000h	ON	OFF	OFF	ON	ON	OFF	OFF	OFF
E000h	ON	OFF	ON	OFF	OFF	ON	OFF	OFF
F000h	ON	OFF	ON	OFF	ON	OFF	OFF	OFF

**Cabling for this Adapter**

Thick Ethernet via AUI Connector

## **SMC (WD)**

Windows 95 Adapter help currently includes the following SMC (WD) network cards:

SMC (WD) EtherCard PLUS

SMC (WD) EtherCard PLUS 10T/A for MicroChannel

SMC (WD) EtherCard PLUS/A for MicroChannel

SMC (WD) EtherCard PLUS Elite 16 for MicroChannel

SMC (WD) EtherCard PLUS Elite

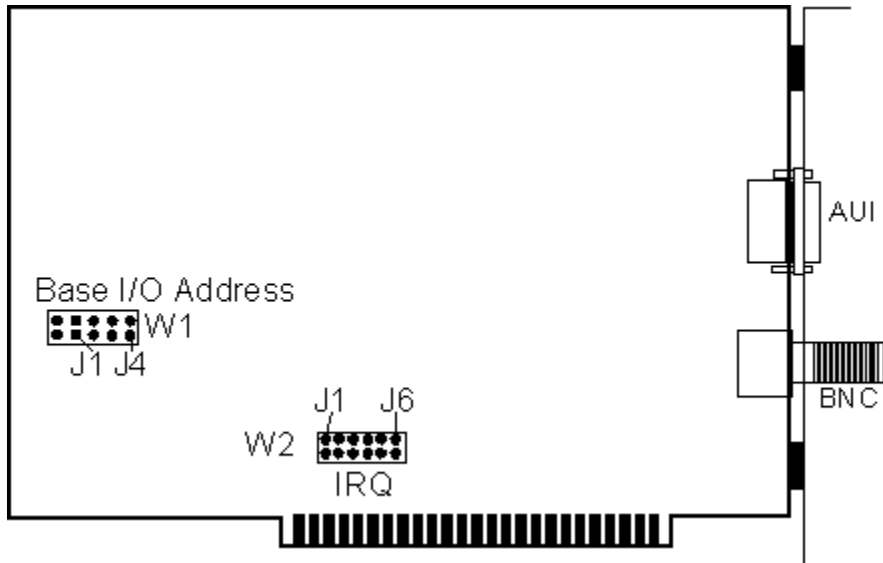
SMC (WD) EtherCard PLUS Elite 16

SMC (WD) EtherCard PLUS Elite 16T

SMC (WD) EtherCard PLUS Elite 16 Combo



## **SMC (WD) EtherCard PLUS**



This is the SMC (WD) EtherCard PLUS Network Adapter card shown. Listed below are the possible Interrupt Request Line (IRQ), Base I/O Address, and Base Memory Address jumper/switch configurations:

### **Interrupt Request Line (IRQ)**

	W2					
	J1	J2	J3	J4	J5	J6
IRQ2	OFF	OFF	OFF	OFF	OFF	ON
IRQ3	OFF	OFF	OFF	OFF	ON	OFF
IRQ4	OFF	OFF	OFF	ON	OFF	OFF
IRQ5	OFF	OFF	ON	OFF	OFF	OFF
IRQ6	OFF	ON	OFF	OFF	OFF	OFF
IRQ7	ON	OFF	OFF	OFF	OFF	OFF

### **Base I/O Address**

	W1			
	J1	J2	J3	J4
200h	ON	ON	ON	ON
220h	OFF	ON	ON	ON
240h	ON	OFF	ON	ON
260h	OFF	OFF	ON	ON
280h	ON	ON	OFF	ON
2A0h	OFF	ON	OFF	ON
2C0h	ON	OFF	OFF	ON
2E0h	OFF	OFF	OFF	ON
300h	ON	ON	ON	OFF
320h	OFF	ON	ON	OFF
340h	ON	OFF	ON	OFF
360h	OFF	OFF	ON	OFF
380h	ON	ON	OFF	OFF
3A0h	OFF	ON	OFF	OFF
3C0h	ON	OFF	OFF	OFF

3E0h OFF OFF OFF OFF

**Base Memory Address**

SOFTWARE CONFIGURABLE

*Default - C400h*

**Cabling for this Adapter**

Thick Ethernet via AUI Connector

Thin Ethernet via BNC Connector

## **SMC (WD) EtherCard PLUS 10T/A for MicroChannel**

This Network Adapter card is configured using the 'Reference Disk' provided with your Micro-Channel System. For further information consult the documentation provided with the Network Adapter or contact your vendor.

### **Cabling for this Adapter**

Thick Ethernet via AUI Connector

Unshielded Twisted Pair via RJ-45 Connector

## **SMC (WD) EtherCard PLUS/A for MicroChannel**

This Network Adapter card is configured using the 'Reference Disk' provided with your Micro-Channel System. For further information consult the documentation provided with the Network Adapter or contact your vendor.

### **Cabling for this Adapter**

Thick Ethernet via AUI Connector

Thin Ethernet via BNC Connector

## **SMC (WD) EtherCard PLUS Elite 16 for MicroChannel**

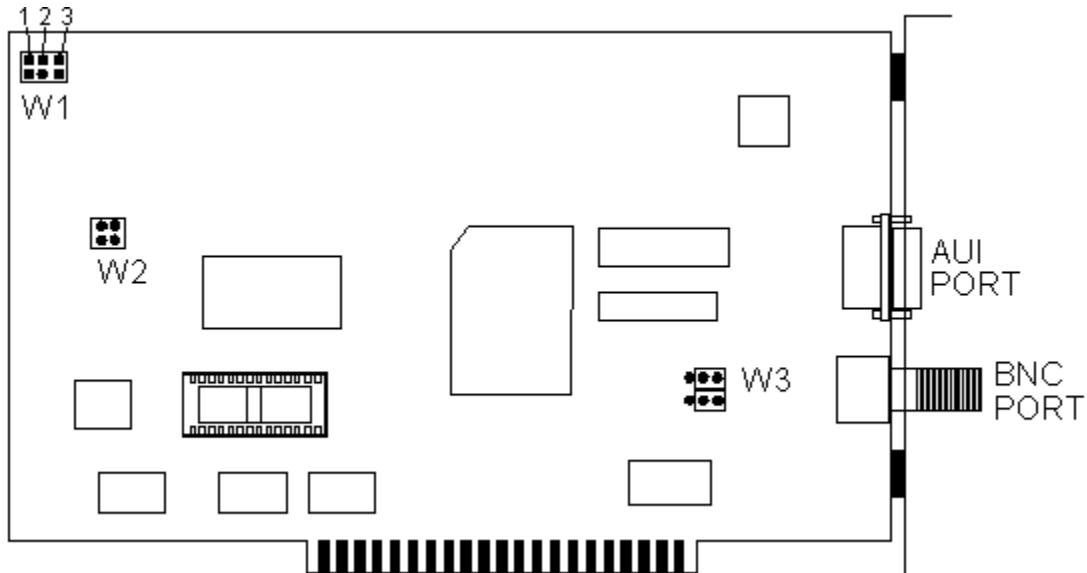
This Network Adapter card is configured using the 'Reference Disk' provided with your Micro-Channel System. For further information consult the documentation provided with the Network Adapter or contact your vendor.

### **Cabling for this Adapter**

Thick Ethernet via AUI Connector

Thin Ethernet via BNC Connector

## **SMC (WD) EtherCard PLUS Elite**



This is the SMC (WD) EtherCard PLUS Elite Network Adapter card shown. Listed below are the possible Interrupt Request Line (IRQ), Base I/O Address, and Base Memory Address jumper/switch configurations:

### **Interrupt Request Line (IRQ)**

	W1		
	J1	J2	J3
SOFT	ON	OFF	OFF
IRQ3	OFF	ON	OFF
IRQ5	OFF	OFF	ON

### **Base I/O Address**

	W1		
	J1	J2	J3
SOFT	ON	OFF	OFF
280h	OFF	ON	OFF
300h	OFF	OFF	ON

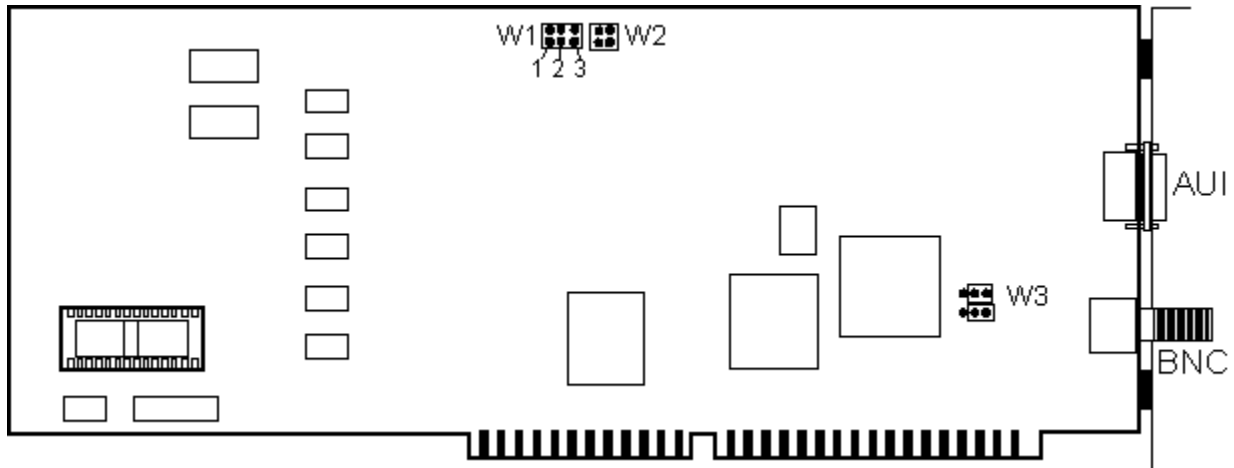
### **Base Memory Address**

	W1		
	J1	J2	J3
SOFT	ON	OFF	OFF
D000h	OFF	ON	OFF
CA00h	OFF	OFF	ON

### **Cabling for this Adapter**

- Thick Ethernet via AUI Connector
- Thin Ethernet via BNC Connector

## **SMC (WD) EtherCard PLUS Elite 16**



This is the SMC (WD) EtherCard PLUS Elite 16 Network Adapter card shown. Listed below are the possible Interrupt Request Line (IRQ), Base I/O Address, and Base Memory Address jumper/switch configurations:

### **Interrupt Request Line (IRQ)**

	W1		
	J1	J2	J3
SOFT	ON	OFF	OFF
IRQ3	OFF	ON	OFF
IRQ10	OFF	OFF	ON

### **Base I/O Address**

	W1		
	J1	J2	J3
SOFT	ON	OFF	OFF
280h	OFF	ON	OFF
300h	OFF	OFF	ON

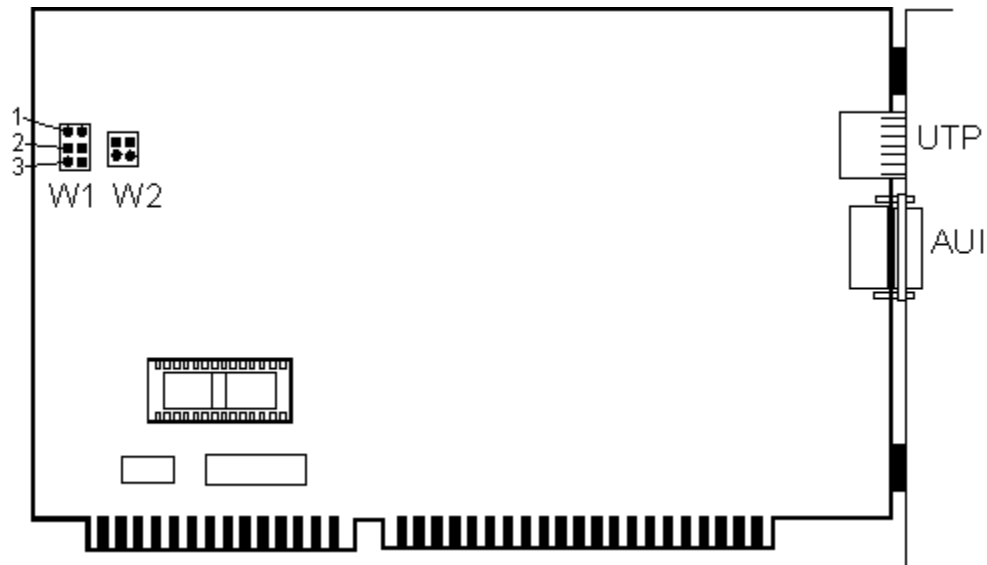
### **Base Memory Address**

	W1		
	J1	J2	J3
SOFT	ON	OFF	OFF
D000h	OFF	ON	OFF
C000h	OFF	OFF	ON

### **Cabling for this Adapter**

- Thick Ethernet via AUI Connector
- Thin Ethernet via BNC Connector

## **SMC (WD) EtherCard PLUS Elite 16T**



This is the SMC (WD) EtherCard PLUS Elite 16T Network Adapter card shown. Listed below are the possible Interrupt Request Line (IRQ), Base I/O Address, and Base Memory Address jumper/switch configurations:

### **Interrupt Request Line (IRQ)**

	W1		
	J1	J2	J3
SOFT	ON	OFF	OFF
IRQ3	OFF	ON	OFF
IRQ10	OFF	OFF	ON

### **Base I/O Address**

	W1		
	J1	J2	J3
SOFT	ON	OFF	OFF
280h	OFF	ON	OFF
300h	OFF	OFF	ON

### **Base Memory Address**

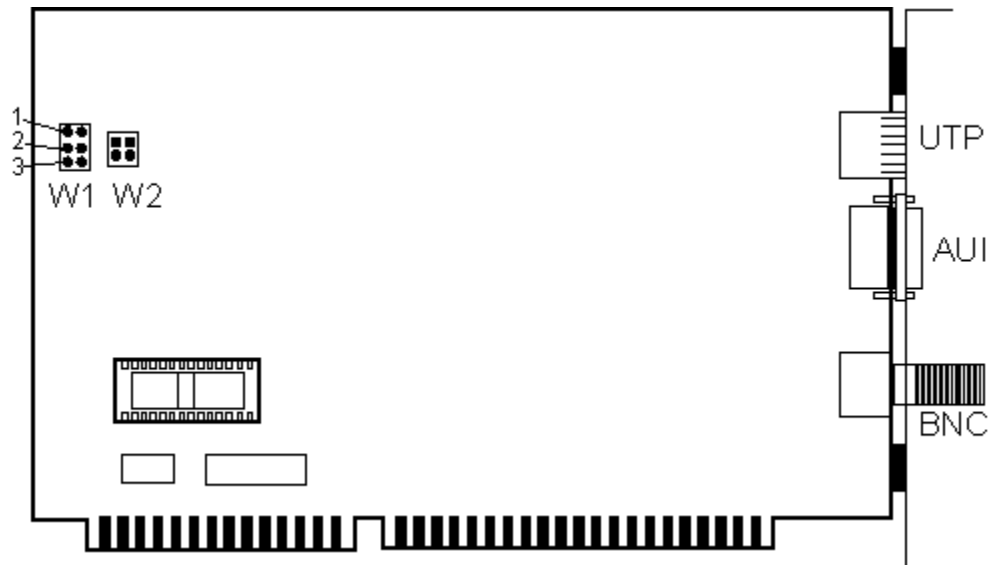
	W1		
	J1	J2	J3
SOFT	ON	OFF	OFF
D000h	OFF	ON	OFF
C000h	OFF	OFF	ON

### **Cabling for this Adapter**

- Thick Ethernet via AUI Connector
- Unshielded Twisted Pair via RJ-45 Connector



## **SMC (WD) EtherCard PLUS Elite 16 Combo**



This is the SMC (WD) EtherCard PLUS Elite 16 Combo Network Adapter card shown. Listed below are the possible Interrupt Request Line (IRQ), Base I/O Address, and Base Memory Address jumper/switch configurations:

### **Interrupt Request Line (IRQ)**

	W1	J1	J2	J3
SOFTWARE	ON	ON	OFF	OFF
IRQ3	OFF	OFF	ON	OFF
IRQ10	OFF	OFF	OFF	ON

### **Base I/O Address**

	W1	J1	J2	J3
SOFTWARE	ON	ON	OFF	OFF
280h	OFF	OFF	ON	OFF
300h	OFF	OFF	OFF	ON

### **Base Memory Address**

	W1	J1	J2	J3
SOFTWARE	ON	ON	OFF	OFF
D000h	OFF	OFF	ON	OFF
C000h	OFF	OFF	OFF	ON

### **Cabling for this Adapter**

- Thick Ethernet via AUI Connector
- Thin Ethernet via BNC Connector
- Unshielded Twisted Pair via RJ-45 Connector

























## **About The Great Team That Wrote The Windows '95 Adapter Helpfile**

David Conner            All Artwork, Design, & Tireless error checking

### **Original Team Members (from WFWG 3.1):**

Ed Hubbard            Original Design and putting it all together  
Lance Craig            Original Network Card Settings  
Ryan Battle            Original Defaults & Backup

### **Special Thanks to:**

John Gilbert            Constant Beta Testing (Finding Errors)  
Microsoft Press        Definitions and Connector Illustrations  
Cliff Schommer        SCSI Type Table  
Calvin Mackey        Help with the Word Macros

### **PSS East Windows 95 Beta Team**

Joe Tuck            Charles Teague  
Faron Faulk        Lex Thomas  
Henry Gray        Rich Thomasson

## **Direct Memory Access (DMA)**

Memory access that does not involve the microprocessor, frequently employed for data transfer directly between memory and an "intelligent" peripheral device such as a disk drive.

## **Interrupt Request Line (IRQ)**

Hardware lines over which devices such as input/output ports, the keyboard, and disk drives can send interrupts (requests for service) to the microprocessor. Interrupt request lines are assigned different levels of priority so that the microprocessor can determine the relative importance of incoming service requests.

### **Hardware Interrupt Chart**

#### **IRQ 80286 and Above**

0	System Timer
1	Keyboard
2	Gateway from IRQ 8-15 (Tie to IRQ 9)
3	COM2:, COM4:
4	COM1:, COM3:
5	Open, (LPT2: on IBM PC/AT)
6	Floppy Disk Controller
7	LPT1:, LPT2:, LPT3:, (LPT1 on IBM PC/AT)
8	Real Time Clock
9	Test link to IRQ 2
10	Open
11	Open
12	PS/2 type mouse port
13	Math Co-Processor
14	Hard Disk Controller
15	Open

## **RAM Base Address**

In relation to memory locations, the portion of a two-part address that remains constant and provides a reference point, or base, from which the location of a byte of data can be calculated. A base address is accompanied by an offset value that is added to the base to determine the exact location (the absolute address) of the information. The concept is similar to a street address system and to the Dewey decimal system. For example, 2010 Main Street consists of a base (the 2000 block of Main Street) plus an offset (10 from the beginning); the book number PB 587 in the Dewey decimal system consists of a base (the subject PB, which indicates the psychology section of a library) and an offset (the number 587, which is the location of the book in the section). Base addresses are known as segment addresses in IBM and compatible computers. Data in these computers is identified by its position as a relative offset from the start of the segment.



## **SCSI (Small Computer System Interface)**

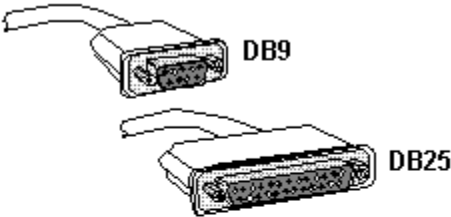
Pronounced 'scuzzy'; acronym for small computer system interface, a standard high-speed parallel interface defined by the X3T9.2 committee of the American National Standards Institute (ANSI). A SCSI Host Adapter is used for connecting microcomputers to peripheral devices, such as hard disks and printers, and other computers and local area networks. Up to seven devices, not including the computer, can be attached through a single SCSI connection (port) through sequential connections called a daisy chain. Each device has an address (priority number). Only one device at a time can transmit through the port; priority is given to the device with the highest address.

**COAX Cable**

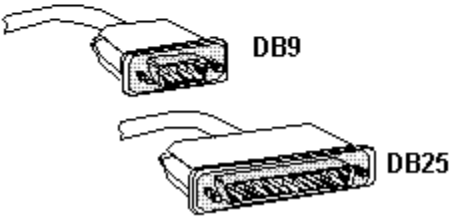


**Serial Connectors**

**Female**



**Male**



## SCSI Types

<b>Standard</b>	<b>Byte Width</b>	<b>Bit Width</b>	<b>Cable Name</b>	<b>Pin Count</b>	<b>Max Transfer MByte/sec</b>	<b>Max SCSI Devices</b>	<b>Description</b>
<b>SCSI - 1</b>	1	8	A	50	5	8	Synchronous
<b>SCSI - 2</b>	1	8	A	50	10	8	Fast
<b>SCSI - 2</b>	2	16	A + B	50 + 68	20	8	Fast & Wide (Two cables)
<b>SCSI - 2</b>	4	32	A + B	50 + 68	40	8	Fast & Wide (Two cables)
<b>SCSI - 3</b>	1	8	A	50	10	8	Fast
<b>SCSI - 3</b>	2	16	P	68	20	16	Fast & Wide
<b>SCSI - 3</b>	4	32	P + Q	68 + 68	40	32	Fast & Wide (Two cables)

### **Single-Ended and Differential**

There are two different ways a SCSI bus can be terminated. The most common way is by implementing the Single-Ended method. Single-Ended termination is putting terminators on both ends of the SCSI bus. Most controller boards on the market today use this method. The other method is Differential termination. With Differential termination the device itself is terminated and the SCSI bus isn't terminated.

### **SCSI - 1**

Supports General, Direct Access, Sequential Access, Printer, Write Once, and Processor devices.

### **SCSI - 2**

Supports all of SCSI - 1 devices and the following: CD-ROM, Scanner, Optical Memory, Medium Changer, and Communications.

### **SCSI - 3**

Supports all of the SCSI - 1 and SCSI - 2, with the addition of being modular. Any new technology will be able to make use of this interface.

## **SCSI Connectors**

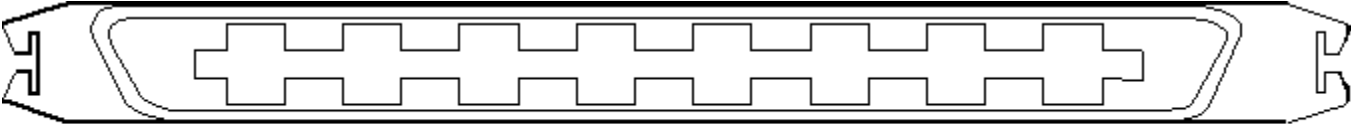
Low Density Shielded SCSI Connector

Low Density Unshielded SCSI Connector

High Density Shielded SCSI Connector

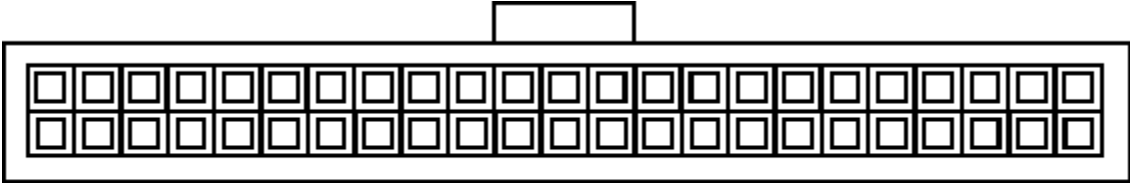
High Density Unshielded SCSI Connector

**Low Density Shielded SCSI Connector**



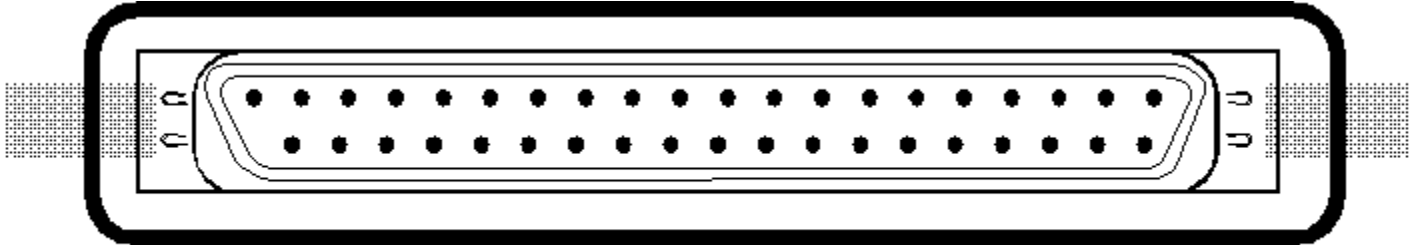
Low-Density Shielded

**Low Density Unshielded SCSI Connector**



Low-Density Unshielded

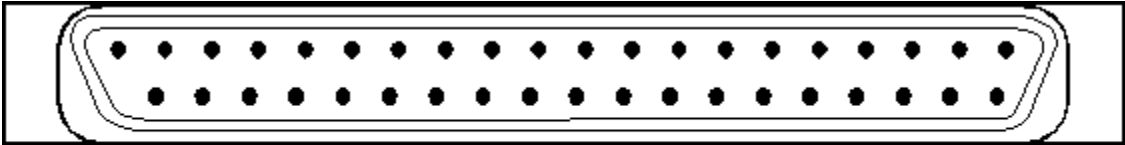
**High Density Shielded SCSI Connector**



High-Density Shielded



**High Density Unshielded SCSI Connector**



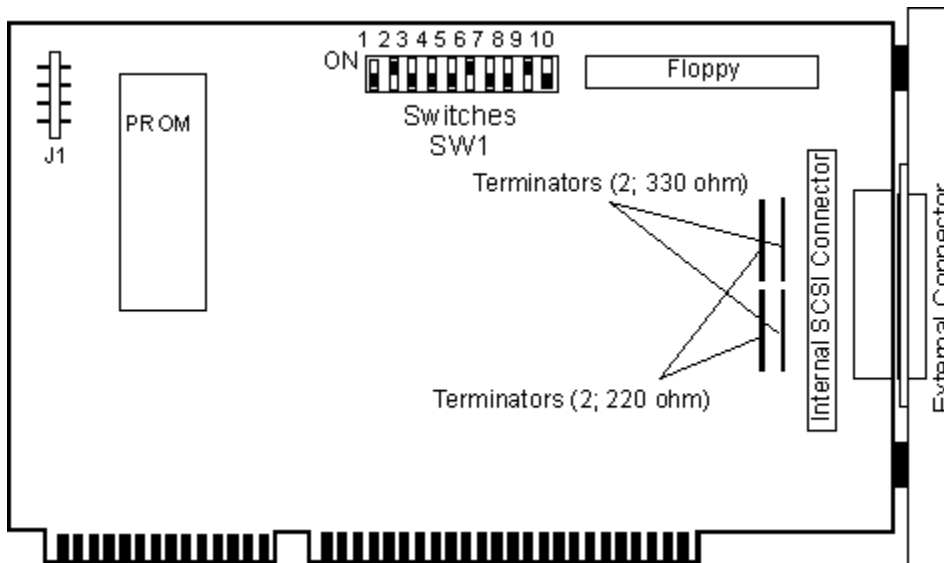
High-Density Unshielded

## **Always**

Windows 95 Adapter help currently includes the following Always SCSI interface cards:

Always IN-2000

## Always IN-2000



This is the Always IN-2000 SCSI adapter shown. Listed below are the possible Interrupt Request Line (IRQ), Base I/O Address, Base Memory Address, and other jumper/switch configurations:

### **SW1**

#### **Segment**

<b>Address</b>	<b>S1</b>	<b>S2</b>
C800h-CBFFh	OFF	OFF
D800h-DBFFh	ON	OFF
D000h-D3FFh	OFF	ON
Bios Enabled	ON	ON

#### **I/O Port**

<b>Address</b>	<b>S3</b>	<b>S4</b>
220h-22Fh	OFF	OFF
200h-20Fh	ON	OFF
110h-11Fh	OFF	ON
100h-10Fh	ON	ON

#### **Interrupt**

	<b>S5</b>	<b>S6</b>	<b>S7</b>
15	OFF	OFF	OFF
14	OFF	ON	OFF
11	OFF	OFF	ON
10	OFF	ON	ON
Disabled	ON	-	-
Dos 5.0 Support	ON	ON	ON

#### **Synch/Asynch**

<b>Operations</b>	<b>S8</b>
Asynchronous	OFF
Synchronous	ON

<b>Floppy Controller</b>	<b>S9</b>
<i>Disable</i>	<i>OFF</i>
Enable	ON

## **Adaptec**

Windows 95 Adapter help currently includes the following Adaptec SCSI interface cards:

[Adaptec 1510](#)

[Adaptec 1505](#)

[Adaptec 1515](#)

[Adaptec 1520A/1522A](#)

[Adaptec 1520/1522](#)

[Adaptec 1540](#)

[Adaptec 1540A](#)

[Adaptec 1540B/1542B](#)

[Adaptec 1540C/1542C](#)

[Adaptec 1640](#)

[Adaptec 1740/1744](#)

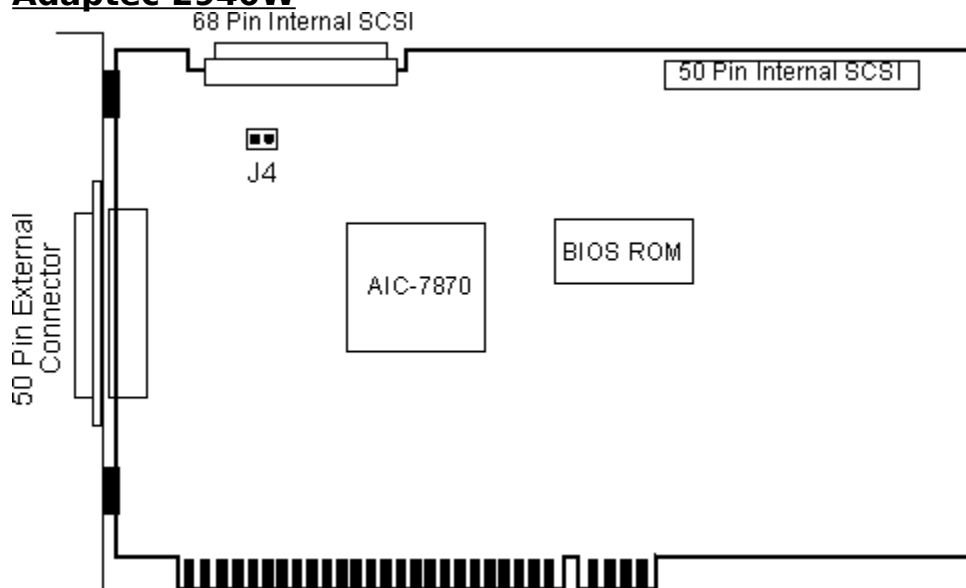
[Adaptec 1740\(A\)/1744\(A\)](#)

[Adaptec 2740/2740W](#)

[Adaptec 2940](#)

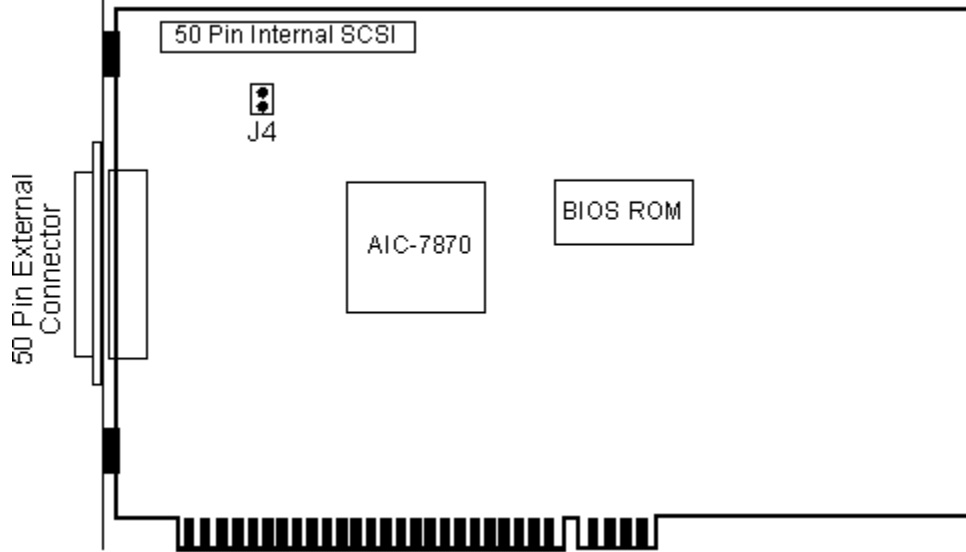
[Adaptec 2940W](#)

## Adaptec 2940W



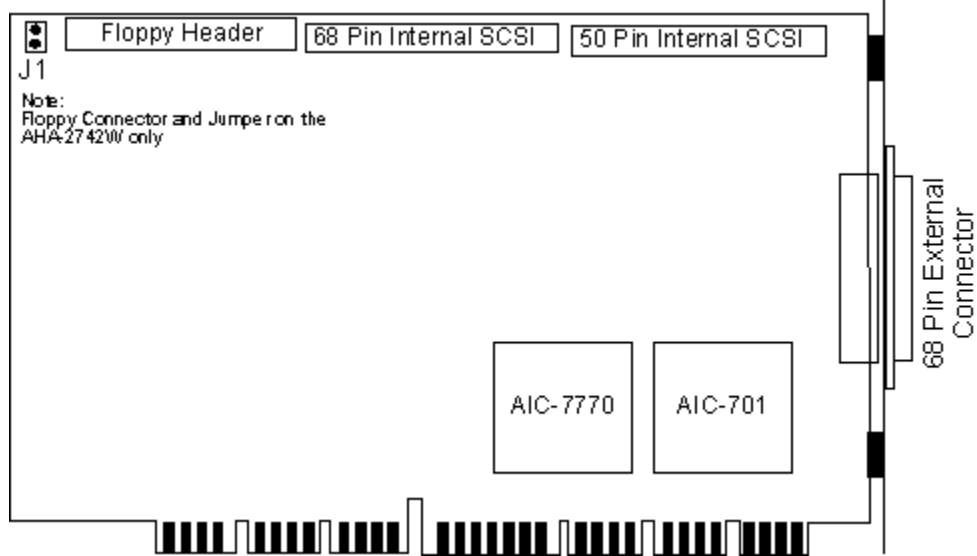
This is the Adaptec 2940W SCSI adapter shown. Listed below are the possible Interrupt Request Line (IRQ), Base I/O Address, Base Memory Address, and other jumper/switch configurations:

## **Adaptec 2940**



This is the Adaptec 2940 SCSI adapter shown. Listed below are the possible Interrupt Request Line (IRQ), Base I/O Address, Base Memory Address, and other jumper/switch configurations:

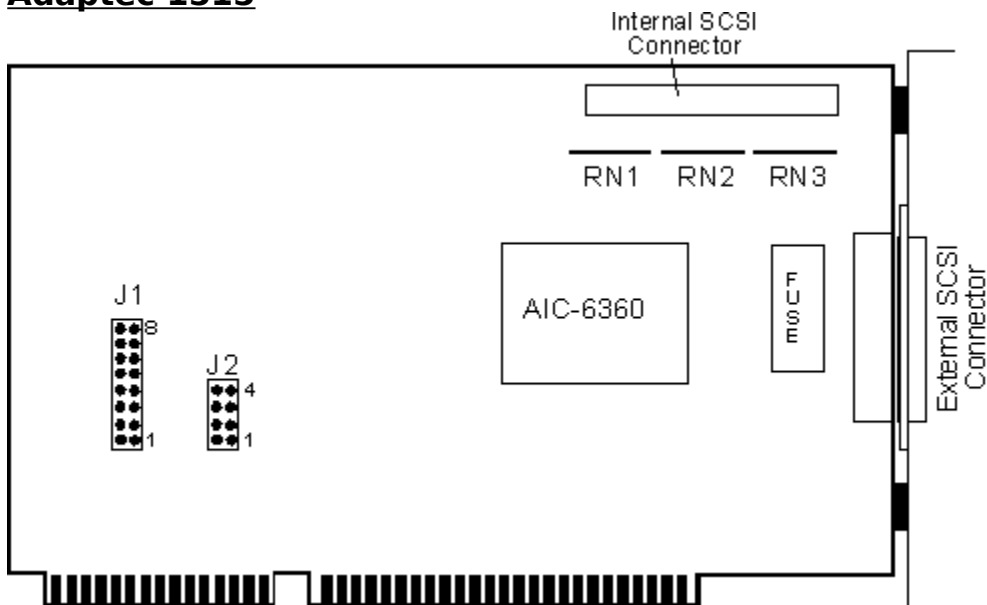
## Adaptec 2740/2740W



This is the Adaptec 2740/2740W SCSI adapter shown. Listed below are the possible Interrupt Request Line (IRQ), Base I/O Address, Base Memory Address, and other jumper/switch configurations:



## **Adaptec 1515**



This is the Adaptec 1515 SCSI adapter shown. Listed below are the possible Interrupt Request Line (IRQ), Base I/O Address, Base Memory Address, and other jumper/switch configurations:

### **BIOS Address**

Jumper Block J1

	Pin 6	Pin 7
0xC800	OFF	OFF
0xCC00	ON	OFF
0xD800	OFF	ON
0xDC00	ON	ON

### **IRQ**

Jumper Block J1

	Pin 1	Pin 2	Pin 3	Pin 4
9	ON	OFF	OFF	OFF
10	OFF	ON	OFF	OFF
11	OFF	OFF	ON	OFF
12	OFF	OFF	OFF	ON

### **IRQ Channel**

Jumper Block J2

	Pin 1	Pin 2
9	OFF	OFF
10	ON	OFF
11	OFF	ON
12	ON	ON

### **Host Adapter BIOS**

Jumper Block J1  
Pin 8  
*Enabled* ON  
Disabled OFF

### **Port Address**

Jumper Block J1  
Pin 5  
0x140 ON  
0x340 OFF

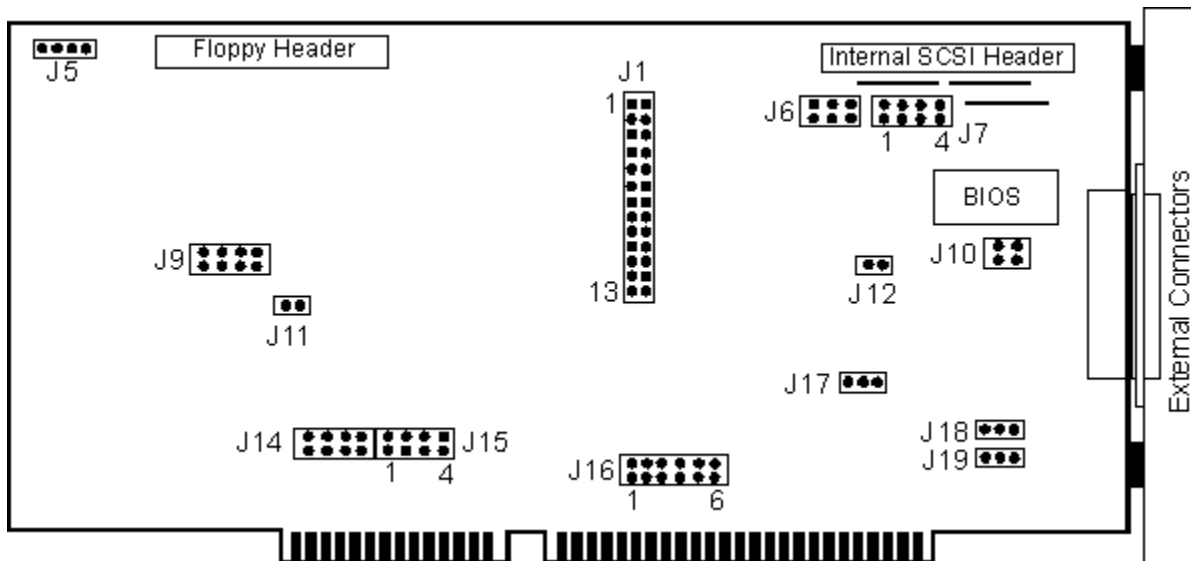
### **SCSI Parity Check**

Jumper Block J2  
Pin 4  
*Enabled* OFF  
Disabled ON

### **SCSI Disconnection**

Jumper Block J2  
Pin 3  
*Enabled* ON  
Disabled OFF

## Adaptec 1540A



This is the Adaptec 1540A SCSI adapter shown. Listed below are the possible Interrupt Request Line (IRQ), Base I/O Address, Base Memory Address, and other jumper/switch configurations:

### SCSI Synchronous Negotiation

Jumper Block J1

	Pin 1
Host Initiated	ON
Target Initiated	OFF

### SCSI Parity

Jumper Block J1

	Pin 3
Parity Checking Enabled	OFF
Parity Checking Disabled	ON

### SCSI Address

Jumper Block J1

	Pin 4	Pin 5	Pin 6
0	ON	ON	ON
1	OFF	ON	ON
2	ON	OFF	ON
3	OFF	OFF	ON
4	ON	ON	OFF
5	OFF	ON	OFF
6	ON	OFF	OFF
7	OFF	OFF	OFF

### DMA Channel (using Jumper Blocks J1, J14, and J15)

## DMA Channel

### Jumper Block J1

	Pin 7	Pin 8
0	ON	ON
5	OFF	ON
6	ON	OFF
7	OFF	OFF

## DMA Channel Request

	Pin 1	Pin 2	Pin 3	Pin 4
0	ON	OFF	OFF	OFF
5	OFF	ON	OFF	OFF
6	OFF	OFF	ON	OFF
7	OFF	OFF	OFF	ON

## DMA Channel Acknowledge

	Pin 1	Pin 2	Pin 3	Pin 4
0	ON	OFF	OFF	OFF
5	OFF	ON	OFF	OFF
6	OFF	OFF	ON	OFF
7	OFF	OFF	OFF	ON

## AT Interrupt Channel (Using Jumper Blocks J1 and J16)

### Interrupt Reported during Return Configuration Command

#### Jumper Block J1

	Pin 9	Pin 10	Pin 11
9	OFF	OFF	OFF
10	ON	OFF	OFF
11	OFF	ON	OFF
12	ON	ON	OFF
14	OFF	OFF	ON
15	ON	OFF	ON

## IRQ

#### Jumper Block J16

	Pin 1	Pin 2	Pin 3	Pin 4	Pin 5	Pin 6
9	ON	OFF	OFF	OFF	OFF	OFF
10	OFF	ON	OFF	OFF	OFF	OFF
11	OFF	OFF	ON	OFF	OFF	OFF
12	OFF	OFF	OFF	ON	OFF	OFF
14	OFF	OFF	OFF	OFF	ON	OFF
15	OFF	OFF	OFF	OFF	OFF	ON

## DMA Transfer Speed

#### Jumper Block J1

	Pin 12	Pin 13
5.0 MB/s	OFF	OFF
5.7 MB/s	ON	OFF
6.7 MB/s	OFF	ON
8.0 MB/s	ON	ON

## BIOS Wait State

### Jumper Block J7

	Pin 1	Pin 2	Pin 3	Pin 4
<i>Disabled</i>	<i>ON</i>	<i>OFF</i>	<i>OFF</i>	<i>OFF</i>
100 ns	OFF	ON	OFF	OFF
200 ns	OFF	OFF	ON	OFF
300 ns	OFF	OFF	OFF	ON

## Port Address

### Jumper Block J6

	Pin 1	Pin 2	Pin 3
0x130	ON	OFF	ON
0x134	ON	OFF	OFF
0x230	OFF	ON	ON
0x234	OFF	ON	OFF
0x330	OFF	OFF	ON
0x334	OFF	OFF	OFF

## BIOS Address

### Jumper Block J10

	Pin 1	Pin 2
0xC8000	ON	ON
0xD8000	OFF	ON
0xCC000	ON	OFF
0xDC000	OFF	OFF

## BIOS Enable/Disable

### Jumper Block J11

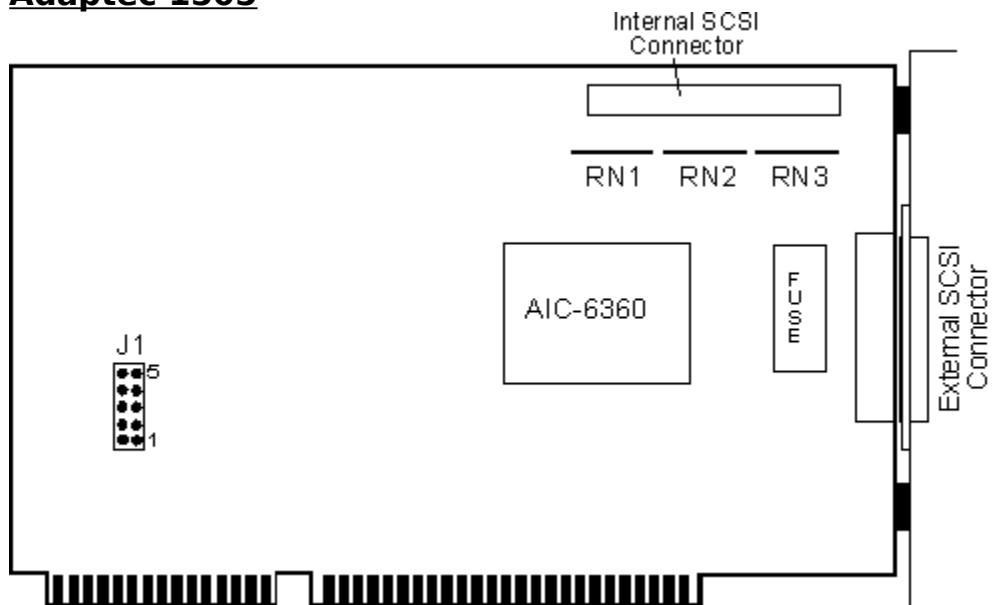
<i>Enabled</i>	<i>ON</i>
Disabled	OFF

## Diskette Controller Secondary Address

### Jumper Block J12

0x370	ON
0x3F0	OFF

## **Adaptec 1505**



### **IRQ**

#### Jumper Block J1

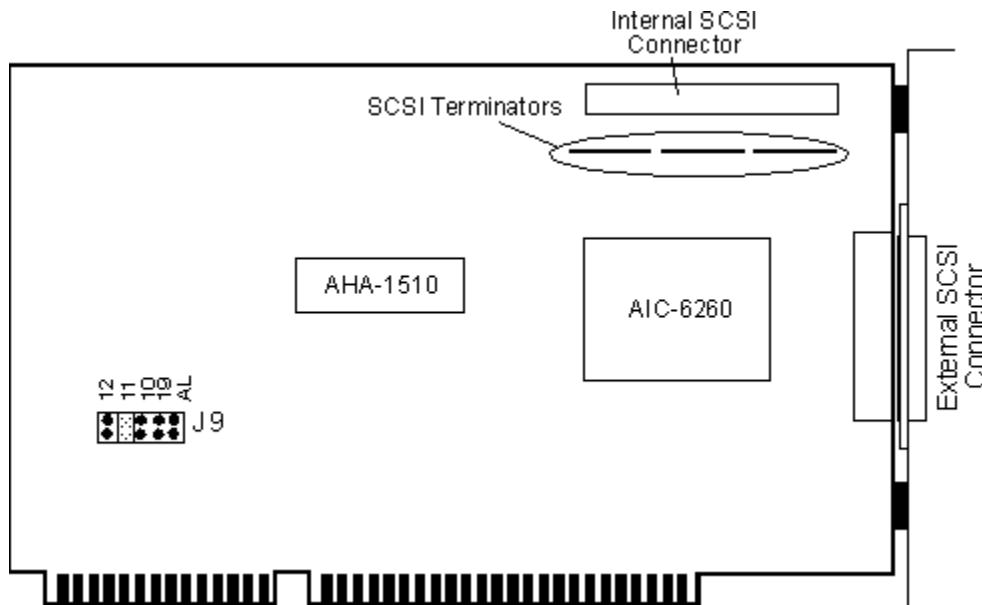
	Pin 1	Pin 2	Pin 3	Pin 4
9	ON	OFF	OFF	OFF
10	OFF	ON	OFF	OFF
11	OFF	OFF	ON	OFF
12	OFF	OFF	OFF	ON

### **PIO Port Address**

#### Jumper Block J1

	Pin 5
0x140	ON
0x340	OFF

## **Adaptec 1510**



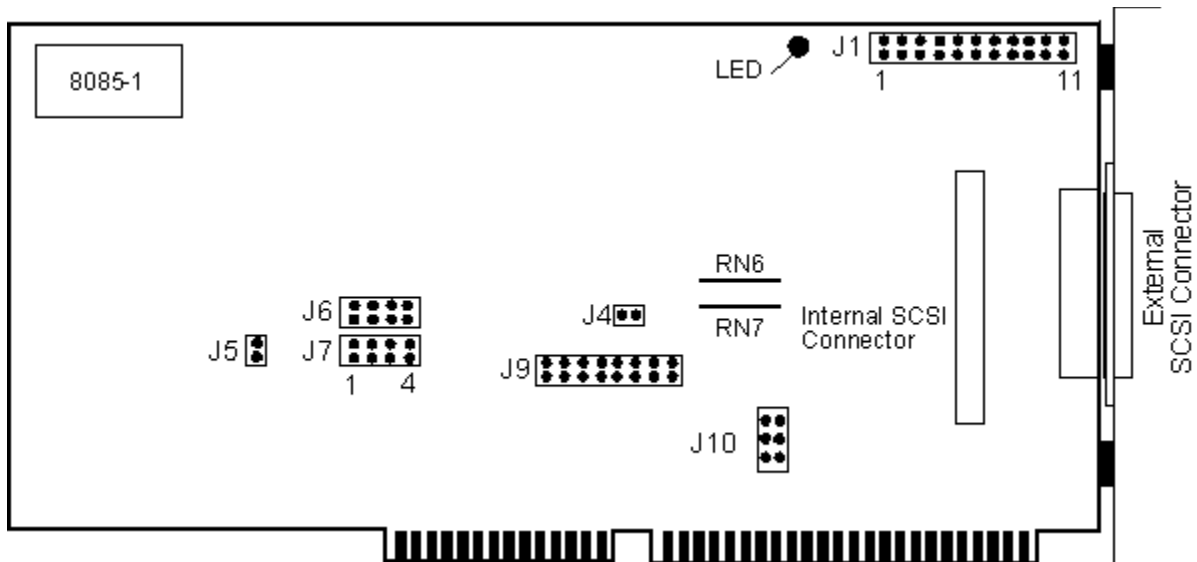
This is the Adaptec 1510 SCSI adapter shown. Listed below are the possible Interrupt Request Line (IRQ), Base I/O Address, Base Memory Address, and other jumper/switch configurations:

### **J9**

<b>IRQ</b>	<b>J10</b>	<b>J11</b>	<b>J12</b>	<b>J19</b>
10	ON	OFF	OFF	OFF
11	OFF	ON	OFF	OFF
12	OFF	OFF	ON	OFF
9	OFF	OFF	OFF	ON

<b>PORT ADDRESS</b>	<b>"SWITCH "AL"</b>
340H	OFF
140H	ON

## **Adaptec 1540**



This is the Adaptec 1540 SCSI adapter shown. Listed below are the possible Interrupt Request Line (IRQ), Base I/O Address, Base Memory Address, and other jumper/switch configurations:

### **SCSI ID**

Jumper Block J1

	Pin4	Pin5	Pin6
0	ON	ON	ON
1	OFF	ON	ON
2	ON	OFF	ON
3	OFF	OFF	ON
4	ON	ON	OFF
5	OFF	ON	OFF
6	ON	OFF	OFF
7	OFF	OFF	OFF

### **SCSI PARITY**

Parity Checking Enabled  
Parity Checking Disabled

Pin 3 of J1 is OFF  
Pin 3 of J1 is ON

**SCSI Terminators** = RN6 & RN7

### **SCSI Synchronous Negotiation**

Jumper Block J1

	Pin 1
Host Initiated	ON
Target Initiated	OFF

### **DMA Channel Selection**



### Jumper Block J1

	Pin 7	Pin 8
0	ON	ON
5	OFF	ON
6	ON	OFF
7	OFF	OFF

### DMA Acknowledge

#### Jumper Block J7

	Pin 1	Pin 2	Pin 3	Pin 4
0	ON	OFF	OFF	OFF
5	OFF	ON	OFF	OFF
6	OFF	OFF	ON	OFF
7	OFF	OFF	OFF	ON

### DMA Request

#### Jumper Block J6

	Pin 1	Pin 2	Pin 3	Pin 4
0	ON	OFF	OFF	OFF
5	OFF	ON	OFF	OFF
6	OFF	OFF	ON	OFF
7	OFF	OFF	OFF	ON

### Interrupt Request

#### Jumper Block J1

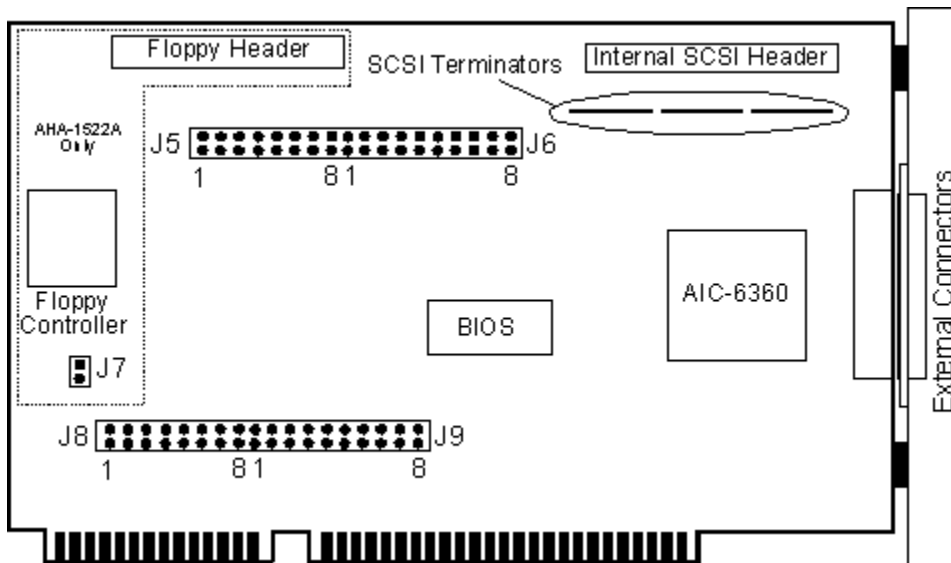
	Pin 9	Pin 10	Pin 11
9	OFF	OFF	OFF
10	ON	OFF	OFF
11	OFF	ON	OFF
12	ON	ON	OFF
14	OFF	OFF	ON
15	ON	OFF	ON

### BIOS Address

#### Jumper Block J10

	Pin 1	Pin 2	Pin 3
0xC8000	ON	OFF	ON
0xD8000	OFF	OFF	ON
0xCC000	ON	OFF	OFF
0xDC000	OFF	OFF	OFF

## Adaptec 1520A/1522A



This is the Adaptec 1520A SCSI adapter shown. Listed below are the possible Interrupt Request Line (IRQ), Base I/O Address, Base Memory Address, and other jumper/switch configurations:

### **JUMPER BLOCK J5**

Pin 1 Reserved

Pin 2 Reroute Int 19 when booting  
 Don't Reroute                   OFF  
 Reroute                           ON

Pins 3 & 4 Bootup Messages Displayed

Display Adaptec header and error messages	OFF	OFF
"Display Adaptec header, boot progress and error messages"	OFF	ON
"Display SCSI information, jumper configuration, boot progress, and error messages"	ON	OFF
Display error messages	ON	ON

Pin 5 Synchronous Negotiation *Enable/Disable*  
 Pin 6 Disconnection by Target SCSI Device *Enable/Disable*  
 Pin 7 Not Used  
 Pin 8 Not Used

### **JUMPER BLOCK J6**

#### **SCSI ID**

	Pin 1	Pin 2	Pin 3
0	OFF	OFF	OFF
1	ON	OFF	OFF
2	OFF	ON	OFF

3	ON	ON	OFF
4	OFF	OFF	ON
5	ON	OFF	ON
6	OFF	ON	ON
7	ON	ON	ON

IRQ	J4	J5
9	OFF	OFF
10	ON	OFF
11	OFF	ON
12	ON	ON

Pins 6 & 7 Reserved

Pin 8 Parity Checking *Enable/Disable*

**JUMPER BLOCK J7 (Adaptec 1522 Only)**

Pin 1 Floppy Controller on Host Adapter *Enable/Disable*

**JUMPER BLOCK J8**

Jumper Block J8 is reserved for Adaptec use

**JUMPER BLOCK J9**

**IRQ**

**(Must match settings on Jumper Block J6)**

	Pin 1	Pin 2	Pin 3	Pin 4
12	ON	OFF	OFF	OFF
11	OFF	ON	OFF	OFF
10	OFF	OFF	ON	OFF
9	OFF	OFF	OFF	ON

**I/O PORT ADDRESS**

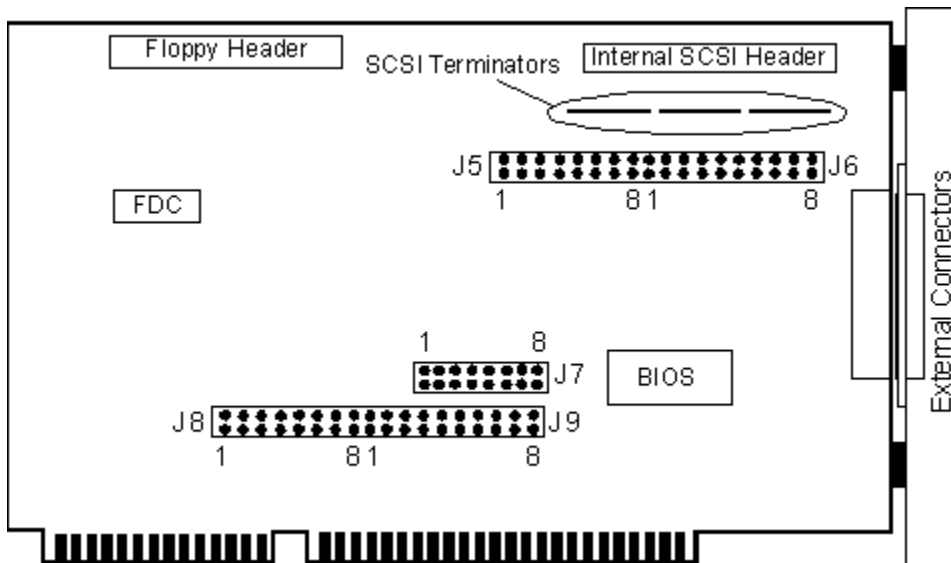
	Pin 5
0x340	OFF
0x140	ON

**BIOS ADDRESS**

	Pin 6	Pin 7
C8000	OFF	OFF
CC000	OFF	ON
D8000	ON	OFF
C0000	ON	ON

Pin 8 Host Adapter Bios Enable/Disable

## **Adaptec 1520/1522**



This is the Adaptec 1520 SCSI adapter shown. Listed below are the possible Interrupt Request Line (IRQ), Base I/O Address, Base Memory Address, and other jumper/switch configurations:

### **JUMPER BLOCK J5**

<b>DATA TRANSFER MODE</b>	<b>J1</b>
PIO	OFF
2nd Parity DMA	ON

<b>BOOT PREFERENCE</b>	<b>J2</b>
Don't boot from SCSI Drive	OFF
Boot From SCSI Drive	ON

<b>BOOT UP MESSAGES</b>	<b>J3</b>	<b>J4</b>
Display Adaptec header and error messages	OFF	OFF
"Display Adaptec header, boot progress and error messages"	OFF	ON
"Display SCSI information, jumper configuration, boot progress, and error messages"	ON	OFF
Display error messages	ON	ON

<b>J5</b>	Synchronous Negotiation <i>Enable/Disable</i>
<b>J6</b>	Disconnection by Target SCSI Device <i>Enable/Disable</i>
<b>J7</b>	Not Used
<b>J8</b>	Not Used

### **JUMPER BLOCK J6**

<b>SCSI ID</b>	<b>J1</b>	<b>J2</b>	<b>J3</b>
0	OFF	OFF	OFF

1	ON	OFF	OFF
2	OFF	ON	OFF
3	ON	ON	OFF
4	OFF	OFF	ON
5	ON	OFF	ON
6	OFF	ON	ON
7	ON	ON	ON

<b>IRQ</b>	<b>J4</b>	<b>J5</b>
9	OFF	OFF
10	ON	OFF
11	OFF	ON
12	ON	ON

**J6/J7** Both are left off to place card at DMA Channel 0 (The only channel supported by Adaptec)

**J8** Parity Checking *Enable/Disable*

### **JUMPER BLOCK J7 (Adaptec 1522 Only)**

**J1** Floppy Controller on Host Adapter *Enable/Disable*

### **FLOPPY**

<b>IRQ CHANNEL</b>	<b>J6</b>	<b>J7</b>
6	ON	OFF
10	OFF	ON

**J8** Support for Floppy Drives with Dual Speed Spindle *Enable/Disable*

### **JUMPER BLOCK J8**

Jumpers 4 & 8 should be on. This selects DMA Channel 0. All Other Jumpers are Reserved

### **JUMPER BLOCK J9**

#### **IRQ**

(Must match settings on Jumper Block J6)

	<b>J1</b>	<b>J2</b>	<b>J3</b>	<b>J4</b>
12	ON	OFF	OFF	OFF
11	OFF	ON	OFF	OFF
10	OFF	OFF	ON	OFF
9	OFF	OFF	OFF	ON

#### **PORT**

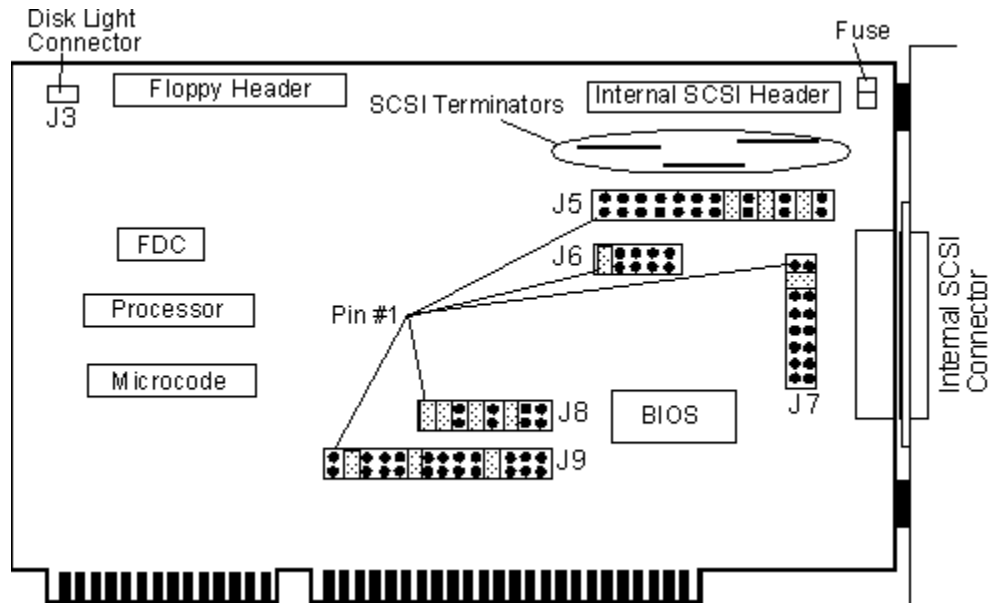
<b>ADDRESS RANGE</b>	<b>J5</b>
340-35E	OFF
140-15E	ON

#### **BIOS**

<b>ADDRESS LOCATION</b>	<b>J6</b>	<b>J7</b>
C8000	OFF	OFF
CC000	OFF	ON
D8000	ON	OFF
C0000	ON	ON

**J8** Host Adapter Bios Enable/Disable

## Adaptec 1540B/1542B



This is the Adaptec 1540B/1542B SCSI adapter shown. Listed below are the possible Interrupt Request Line (IRQ), Base I/O Address, Base Memory Address, and other jumper/switch configurations:

### J5 - GENERAL CONTROLS

**PIN 1** SYNCHRONOUS TRANSFER NEGOTIATION ENABLE/DISABLE

**PIN 2** DIAGNOSTICS (USED ONLY AT ADAPTEC)

**PIN 3** SCSI PARITY *ENABLE/DISABLE*

### SCSI

I.D.	PIN 4	PIN 5	PIN 6
0	ON	ON	ON
1	OFF	ON	ON
2	ON	OFF	ON
3	OFF	OFF	ON
4	ON	ON	OFF
5	OFF	ON	OFF
6	ON	OFF	OFF
7	OFF	OFF	OFF

### DMA

CHANNEL	PIN 7	PIN 8
0	ON	ON
5	OFF	ON
6	ON	OFF
7	OFF	OFF

IRQ	PIN 9	PIN 10	PIN 11
9	OFF	OFF	OFF
10	ON	OFF	OFF
11	OFF	ON	OFF

12	ON	ON	OFF
14	OFF	OFF	ON
15	ON	OFF	ON

#### **DMA**

<b>SPEED</b>	<b>PIN 12</b>	<b>PIN 13</b>
5	OFF	OFF
5.7	ON	OFF
6.7	OFF	ON
8	ON	ON

#### **J6 - BIOS/AUTO SENSE CONTROL**

*PIN 1 BIOS ENABLE*

**PIN 2** NOT USED

**PIN 3** NOT USED

**PIN 4** NOT USED

**PIN 5** AUTO SENSE DISABLE

#### **J7 - ADDRESS SELECTION**

**PIN 1** FLOPPY SECONDARY ADDRESS SELECT (1542B ONLY)

#### **I/O**

<b>ADDRESS</b>	<b>PIN 2</b>	<b>PIN 3</b>	<b>PIN 4</b>
130h	ON	OFF	ON
134h	OFF	OFF	ON
230h	ON	ON	OFF
234h	OFF	ON	OFF
330h	ON	OFF	OFF
334h	OFF	OFF	OFF

#### **BIOS WAIT**

<b>STATE SELECT</b>	<b>PIN 5</b>	<b>PIN 6</b>
0	OFF	OFF
100	ON	OFF
200	OFF	ON
300	ON	ON

#### **BIOS**

<b>BASE ADDRESS</b>	<b>PIN 7</b>	<b>PIN 8</b>
DC000	OFF	OFF
CC000	ON	OFF
D8000	OFF	ON
C8000	ON	ON

#### **J8 - FLOPPY DISK SELECTION (AHA-1542B ONLY)**

Note - On 1542BS100 series, if the floppy enable is removed, remove all jumpers from J8.

**PIN 1** FLOPPY ENABLE

**PIN 2** DMA REQUEST 2

**PIN 3** DMA REQUEST 3

**PIN 4** DMA ACK 2

**PIN 5** DMA ACK 3

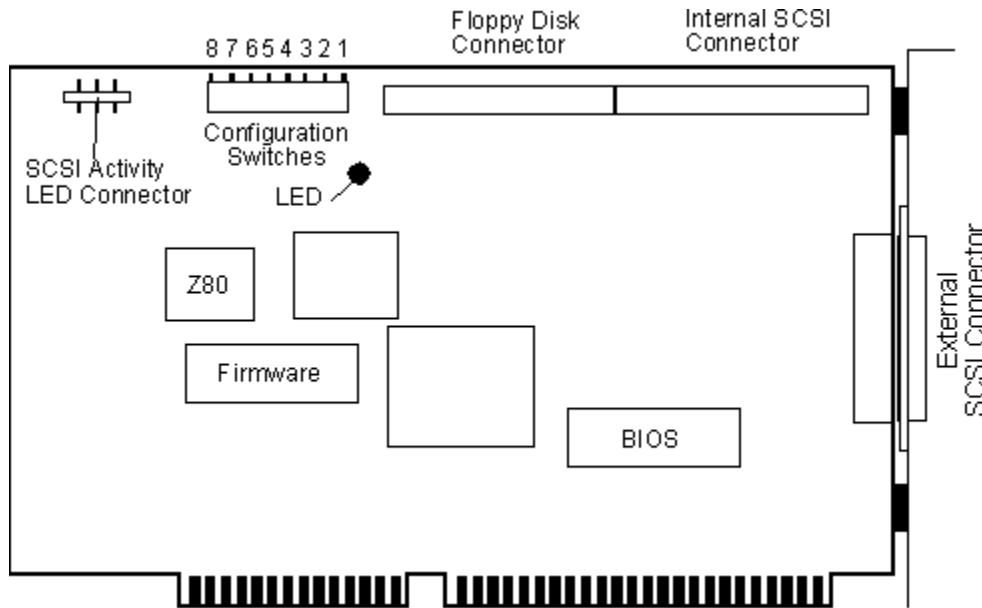


**PIN 6** *INT REQUEST 6*  
**PIN 7** *INT REQUEST 10*  
**PIN 8** *DUAL SPEED ENABLE*

#### **J9 - DMA/INTERRUPT SELECTION**

**PIN 1** *DMA REQUEST 0*  
**PIN 2** *DMA REQUEST 5*  
**PIN 3** *DMA REQUEST 6*  
**PIN 4** *DMA REQUEST 7*  
**PIN 5** *DMA ACK 0*  
**PIN 6** *DMA ACK 5*  
**PIN 7** *DMA ACK 6*  
**PIN 8** *DMA ACK 7*  
**PIN 9** *INT REQUEST 9*  
**PIN 10** *INT REQUEST 10*  
**PIN 11** *INT REQUEST 11*  
**PIN 12** *INT REQUEST 12*  
**PIN 13** *INT REQUEST 14*  
**PIN 14** *INT REQUEST 15*

## Adaptec 1540C/1542C



This is the Adaptec 1540C/1542C SCSI adapter shown. Listed below are the possible Interrupt Request Line (IRQ), Base I/O Address, Base Memory Address, and other jumper/switch configurations:

### **TERMINATION SW1**

Termination Installed *ON*  
 Software Controlled *OFF*

### **IO PORT SW2 SW3 SW4**

330-333H	<i>OFF</i>	<i>OFF</i>	<i>OFF</i>
334-337H	<i>ON</i>	<i>OFF</i>	<i>OFF</i>
230-233H	<i>OFF</i>	<i>ON</i>	<i>OFF</i>
234-237H	<i>ON</i>	<i>ON</i>	<i>OFF</i>
130-133H	<i>OFF</i>	<i>OFF</i>	<i>ON</i>
134-137H	<i>ON</i>	<i>OFF</i>	<i>ON</i>
Reserved	<i>OFF</i>	<i>ON</i>	<i>ON</i>
Reserved	<i>ON</i>	<i>ON</i>	<i>ON</i>

### **FLOPPY SUPPORT SW5**

Disable Floppy *ON*  
 Enable Floppy *OFF*

### **BIOS ADDRESS SW6 SW7 SW8**

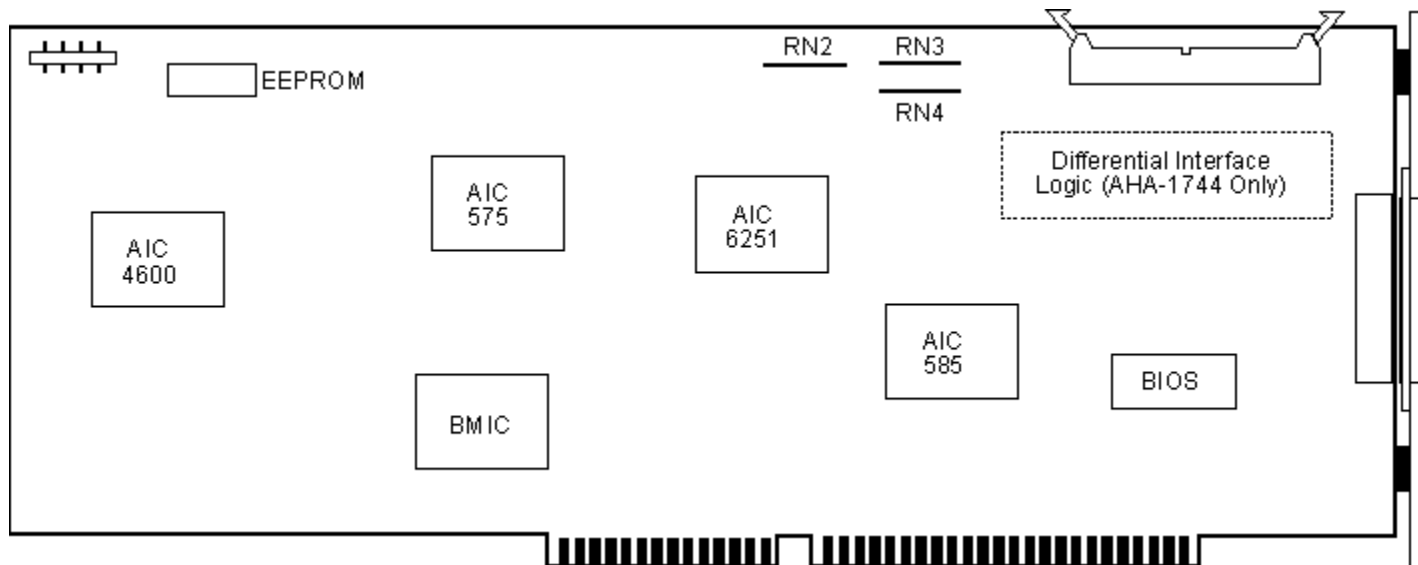
DC000H	<i>OFF</i>	<i>OFF</i>	<i>OFF</i>
D8000H	<i>ON</i>	<i>OFF</i>	<i>OFF</i>
D4000H	<i>OFF</i>	<i>ON</i>	<i>OFF</i>
D0000H	<i>ON</i>	<i>ON</i>	<i>OFF</i>
CC000H	<i>OFF</i>	<i>OFF</i>	<i>ON</i>
C8000H	<i>ON</i>	<i>OFF</i>	<i>ON</i>
Reserved	<i>OFF</i>	<i>ON</i>	<i>ON</i>
Bios Disable	<i>ON</i>	<i>ON</i>	<i>ON</i>

The remaining settings for this SCSI interface card can be configured using the software supplied by the manufacturer. Please consult the documentation that came with your SCSI interface card or contact the manufacturer of the SCSI interface card for further information.

## **Adaptec 1640**

This SCSI interface card can be configured using the software supplied by the manufacturer. Please consult the documentation that came with your SCSI interface card or contact the manufacturer of the SCSI interface card for further information.

## **Adaptec 1740/1744**

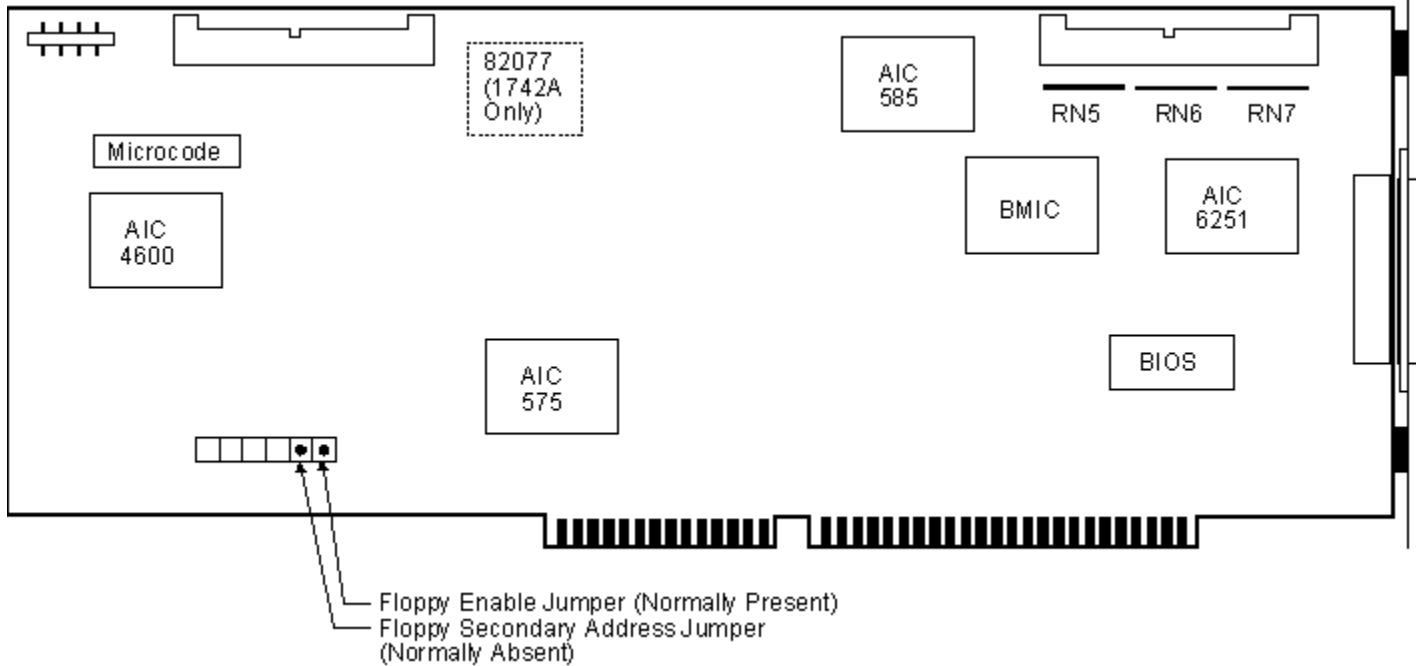


This SCSI interface card can be configured using the software supplied by the manufacturer. Please consult the documentation that came with your SCSI interface card or contact the manufacturer of the SCSI interface card for further information.

**Note1:** - Terminators are RN2, RN3, and RN4. Remove if the the adapter is not the first or last device on the SCSI bus.

**Note2:** - The 1744 is a differential controller. While the firmware & BIOS are the same as that of the 1740/1742, the electrical interface is different. It should NEVER be connected to any single ended SCSI devices as you may damage either the host adapter or your SCSI devices.

## **Adaptec 1740A/1744A**



This SCSI interface card can be configured using the software supplied by the manufacturer. Please consult the documentation that came with your SCSI interface card or contact the manufacturer of the SCSI interface card for further information.

**Note1:** The only manually configurable jumpers are documented on the illustration above. Terminators are RN5, RN6, and RN7. Remove if the the adapter is not the first or last device on the SCSI bus.

**Note2:** - The 1744 is a differential controller. While the firmware & BIOS are the same as that of the 1740/1742, the electrical interface is different. It should NEVER be connected to any single ended SCSI devices as you may damage either the host adapter or your SCSI devices.

## **BusLogic**

Windows 95 Adapter help currently includes the following BusLogic SCSI interface cards:

BT-445S

BT-542B

BT-542D

BT-542S

BT-545S

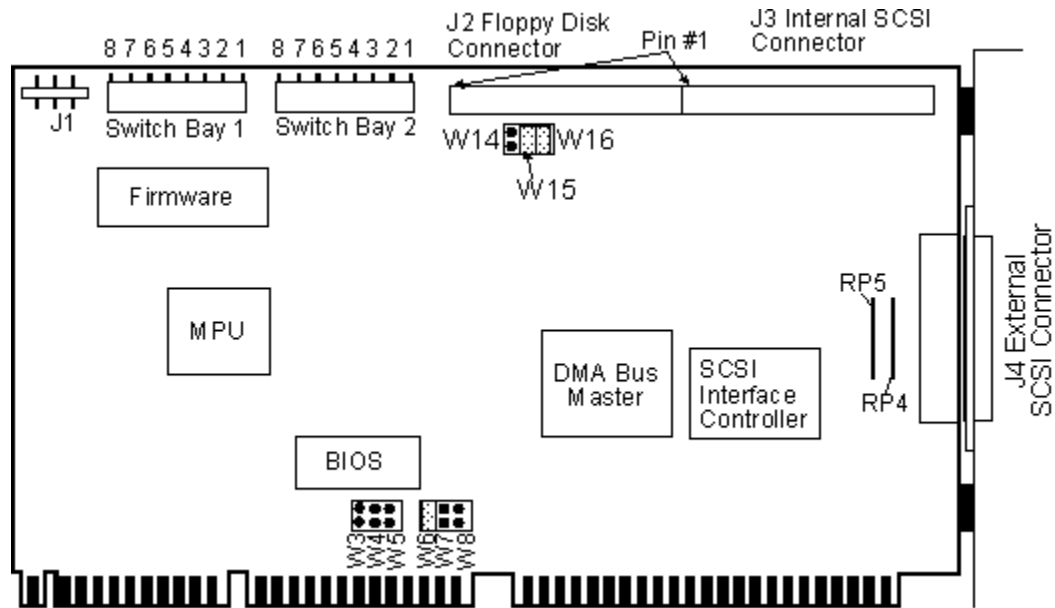
BT-640A

BT-646S/646D

BT-742A

BT-747S/747D

## BusLogic BT-445S



This is the BusLogic 445S SCSI adapter shown. Listed below are the possible Interrupt Request Line (IRQ), Base I/O Address, Base Memory Address, and other jumper/switch configurations:

### Switch Bay 1

#### SCSI

ID	S1	S2	S3
0	OFF	OFF	OFF
1	ON	OFF	OFF
2	OFF	ON	OFF
3	ON	ON	OFF
4	OFF	OFF	ON
5	ON	OFF	ON
6	OFF	ON	ON
7	ON	ON	ON

SCSI Parity	S4
Disable	OFF
Enable	ON

More than 1Gb Support	S5
Disable	OFF
Enable	ON

Synchronous Negotiation	S6
Disable	OFF
Enable	ON



## SCSI

### Transfer Speed S7

10 Mb/Sec	OFF
5 MB/Sec	ON

## VL-Bus

### Clock Speed S8 S9 S10

20 MHZ	ON	ON	OFF
25 MHZ	OFF	ON	OFF
33, 40 MHZ	ON	ON	ON
50 MHZ	ON	OFF	ON
DX2/50 MHZ	OFF	ON	OFF
DX2/66 MHZ	ON	ON	ON

## Switch Bay 2

### I/O Address S1 S2 S3

Reserved	OFF	OFF	OFF
134h-137h	ON	OFF	OFF
234h-237h	OFF	ON	OFF
334h-337h	ON	ON	OFF
Reserved	OFF	OFF	ON
130h-133h	ON	OFF	ON
230h-233h	OFF	ON	ON
330h-333h	ON	ON	ON

## Bios

### Address S4 S5

0C8000h	OFF	OFF
Disable	ON	OFF
0D8000h	OFF	ON
0DC000h	ON	ON

## Host Interrupt

### Channel S6 S7 S8

Reserved	OFF	OFF	OFF
Reserved	ON	OFF	OFF
15	OFF	ON	OFF
14	ON	ON	OFF
12	OFF	OFF	ON
9	ON	OFF	ON
10	OFF	ON	ON
11	ON	ON	ON

**S9** Reserved

**S10** Reserved

## JUMPERS

### Host Interrupt

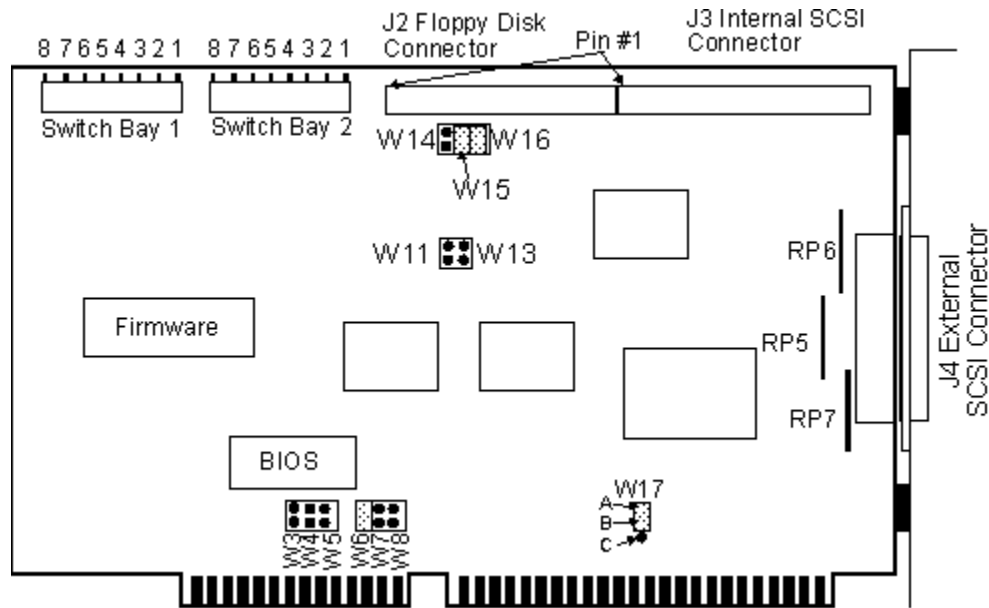
Channel	W3	W4	W5	W6	W7	W8
15	ON	OFF	OFF	OFF	OFF	OFF
14	OFF	ON	OFF	OFF	OFF	OFF
12	OFF	OFF	ON	OFF	OFF	OFF
11	OFF	OFF	OFF	ON	OFF	OFF

10	OFF	OFF	OFF	OFF	ON	OFF
9	OFF	OFF	OFF	OFF	OFF	ON

<b>Floppy Controller</b>	<b>W15</b>	<b>W16</b>
<i>Enable</i>	<i>ON</i>	<i>ON</i>
<i>Disable</i>	<i>OFF</i>	<i>OFF</i>

<b>Floppy Address</b>	<b>W14</b>
<i>3FX</i>	<i>OFF</i>
<i>37X</i>	<i>ON</i>

## BusLogic BT-542B



This is the BusLogic 542B SCSI adapter shown. Listed below are the possible Interrupt Request Line (IRQ), Base I/O Address, Base Memory Address, and other jumper/switch configurations:

### SWITCH BAY 1

SCSI ID	SW1	SW2	SW3
0	OFF	OFF	OFF
1	ON	OFF	OFF
2	OFF	ON	OFF
3	ON	ON	OFF
4	OFF	OFF	ON
5	ON	OFF	ON
6	OFF	ON	ON
7	ON	ON	ON

### SW4

SCSI PARITY *ENABLE/DISABLE*

### SW5

DISK > 1GB and not SCO UNIX *ENABLE/DISABLE*

### SW6

SCSI SYNCHRONIZATION NEGOTIATION *ENABLE/DISABLE*

### DMA

CHANNEL	SW7	SW8
DISABLE	OFF	OFF
5	ON	ON
6	OFF	ON
7	ON	OFF

## SWITCH BAY 2

### I/O

ADDRESS	SW1	SW2	SW3
Reserved	OFF	OFF	OFF
134H-137H	ON	OFF	OFF
234H-237H	OFF	ON	OFF
334H-337H	ON	ON	OFF
Reserved	OFF	OFF	ON
130H-133H	ON	OFF	ON
230H-233H	OFF	ON	ON
330H-333H	ON	ON	ON

### BIOS BASE

ADDRESS	SW4	SW5	
0C8000H	OFF	OFF	
Disable		ON	OFF
0D8000H	OFF	ON	
0DC000H	ON	ON	

### AT IRQ

	SW6	SW7	SW8
Reserved	OFF	OFF	OFF
Reserved	ON	OFF	OFF
15	OFF	ON	OFF
14	ON	ON	OFF
12	OFF	OFF	ON
9	ON	OFF	ON
10	OFF	ON	ON
11	ON	ON	ON

## JUMPER SETTINGS

HOST IRQ	W3	W4	W5	W6	W7	W8
9	OFF	OFF	OFF	OFF	OFF	ON
10	OFF	OFF	OFF	OFF	ON	OFF
11	OFF	OFF	OFF	ON	OFF	OFF
12	OFF	OFF	ON	OFF	OFF	OFF
14	OFF	ON	OFF	OFF	OFF	OFF
15	ON	OFF	OFF	OFF	OFF	OFF

### HOST BUS

TRANSFER RATE	W11	W13
5.0 MB/SEC.	OFF	OFF
5.7 MB/SEC.	OFF	ON
6.7 MB/SEC.	ON	OFF
8.0 MB/SEC.	ON	ON

### W17

HOST I/O CHANNEL READY *ENABLE/DISABLE*

### FLOPPY I/O

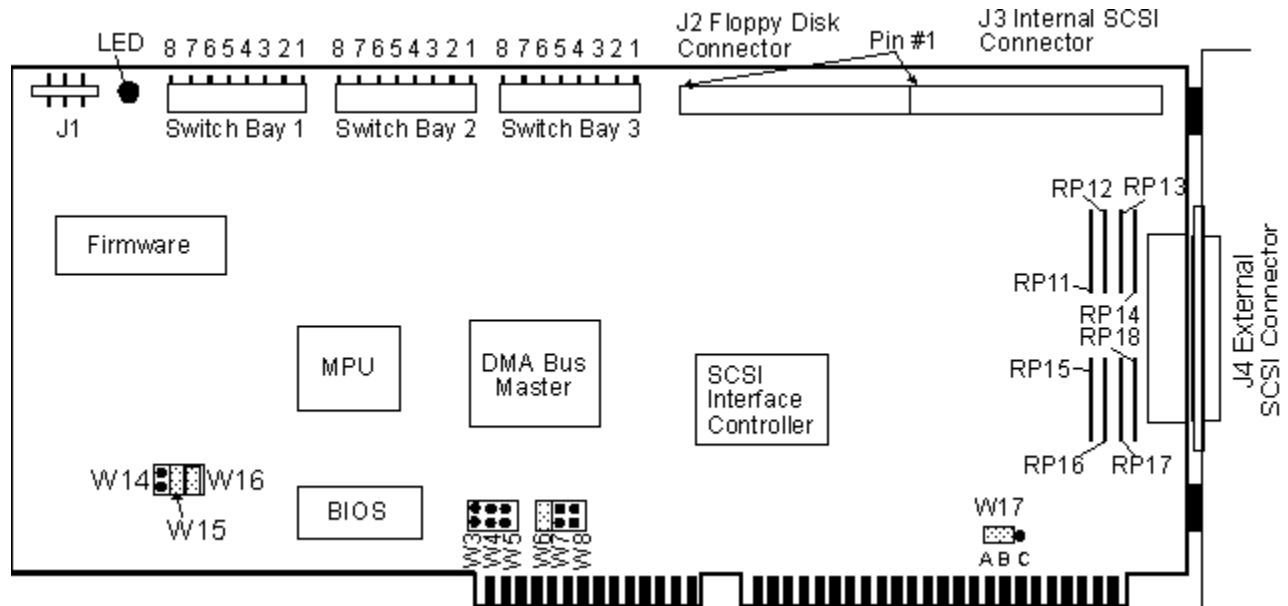
ADDRESS	W14
PRIMARY (3FX)	OFF
SECONDARY (37X)	ON

**FLOPPY  
CONTROLLER**

DISABLE  
ENABLE

<b>W15</b>	<b>W16</b>
OFF	OFF
ON	ON

## BusLogic BT-542D



This is the BusLogic 542D SCSI adapter shown. Listed below are the possible Interrupt Request Line (IRQ), Base I/O Address, Base Memory Address, and other jumper/switch configurations:

### SWITCH BAY 1

#### SCSI

ID	SW1	SW2	SW3
0	OFF	OFF	OFF
1	ON	OFF	OFF
2	OFF	ON	OFF
3	ON	ON	OFF
4	OFF	OFF	ON
5	ON	OFF	ON
6	OFF	ON	ON
7	ON	ON	ON

#### SW4

SCSI PARITY *ENABLE/DISABLE*

#### SW5

DISK > 1GB and not SCO UNIX *ENABLE/DISABLE*

#### SW6

SCSI SYNCHRONIZATION NEGOTIATION *ENABLE/DISABLE*

#### DMA

CHANNEL	SW7	SW8
Disable		OFF OFF
5	ON	ON
6	OFF	ON
7	ON	OFF

## SWITCH BAY 2

### I/O

ADDRESS	SW1	SW2	SW3
Reserved	OFF	OFF	OFF
134H-137H	ON	OFF	OFF
234H-237H	OFF	ON	OFF
334H-337H	ON	ON	OFF
Reserved	OFF	OFF	ON
130H-133H	ON	OFF	ON
230H-233H	OFF	ON	ON
330H-333H	ON	ON	ON

### AT

IRQ	SW6	SW7	SW8
Reserved	OFF	OFF	OFF
Reserved	ON	OFF	OFF
15	OFF	ON	OFF
14	ON	ON	OFF
12	OFF	OFF	ON
9	ON	OFF	ON
10	OFF	ON	ON
11	ON	ON	ON

## SWITCH BAY 3

### BIOS

ADDRESS	SW3	SW4	SW5	
Disable		OFF	OFF	OFF
Reserved	ON	OFF	OFF	
0C8000H	OFF	ON	OFF	
0CC000H	ON	ON	OFF	
0D0000H	OFF	OFF	ON	
0D4000H	ON	OFF	ON	
0D8000H	OFF	ON	ON	
0DC000H	ON	ON	ON	

### MAXIMUM SYNCHRONOUS

DATA RATE	SW6
10.0 MB/SEC.	OFF
5 MB/SEC.	ON

### SW7

Reserved

### SW8

Reserved

### HOST BUS

TRANSFER RATE	SW1	SW2
8.0 MB/SEC.	OFF	OFF
6.7 MB/SEC.	ON	OFF
5.7 MB/SEC.	OFF	ON
5.0 MB/SEC.	ON	ON

## JUMPER SETTINGS

### HOST

IRQ	W3	W4	W5	W6	W7	W8
9	OFF	OFF	OFF	OFF	OFF	ON
10	OFF	OFF	OFF	OFF	ON	OFF
11	OFF	OFF	OFF	ON	OFF	OFF
12	OFF	OFF	ON	OFF	OFF	OFF
14	OFF	ON	OFF	OFF	OFF	OFF
15	ON	OFF	OFF	OFF	OFF	OFF

### W17

HOST I/O CHANNEL READY **ENABLE**/DISABLE

### FLOPPY I/O

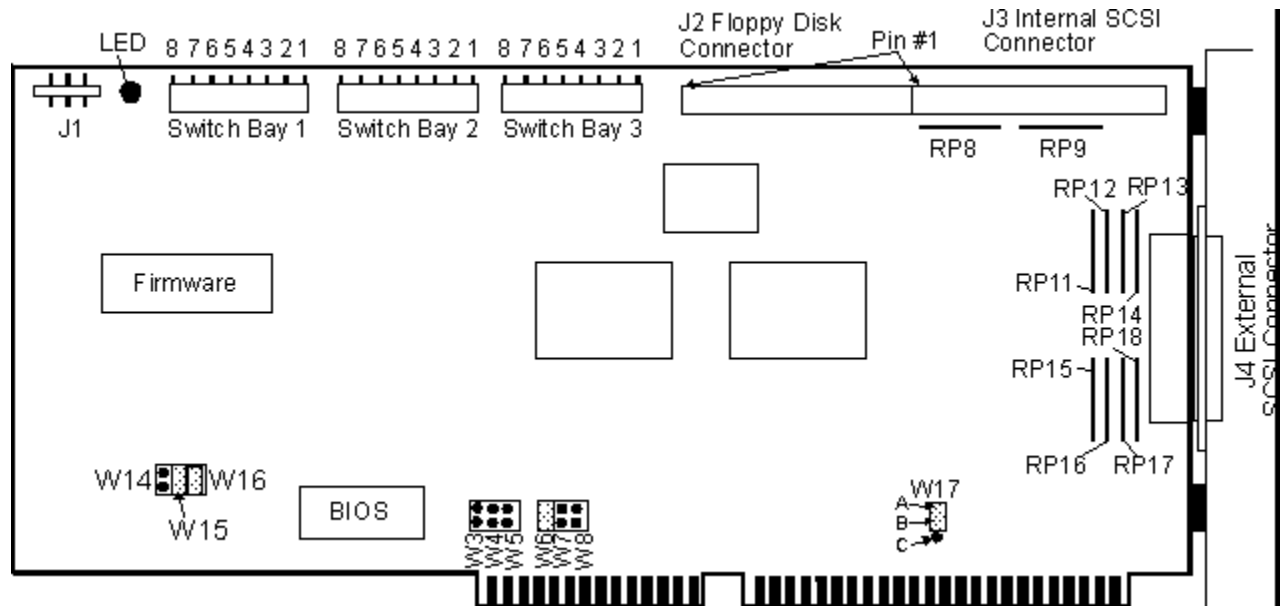
ADDRESS	W14
PRIMARY (3FX)	OFF
SECONDARY (37X)	ON

### FLOPPY

CONTROLLER	W15	W16
DISABLE	OFF	OFF
ENABLE	ON	ON



## BusLogic BT-542S



This is the BusLogic 542S SCSI adapter shown. Listed below are the possible Interrupt Request Line (IRQ), Base I/O Address, Base Memory Address, and other jumper/switch configurations:

### SWITCH BAY 1

#### SCSI

ID	SW1	SW2	SW3
0	OFF	OFF	OFF
1	ON	OFF	OFF
2	OFF	ON	OFF
3	ON	ON	OFF
4	OFF	OFF	ON
5	ON	OFF	ON
6	OFF	ON	ON
7	ON	ON	ON

#### SW4

SCSI PARITY *ENABLE/DISABLE*

#### SW5

DISK > 1GB and not SCO UNIX *ENABLE/DISABLE*

#### SW6

SCSI SYNCHRONIZATION NEGOTIATION *ENABLE/DISABLE*

#### DMA

CHANNEL	SW7	SW8
Disable		OFF OFF
5	ON	ON
6	OFF	ON
7	ON	OFF

## SWITCH BAY 2

### I/O

ADDRESS	SW1	SW2	SW3
Reserved	OFF	OFF	OFF
134H-137H	ON	OFF	OFF
234H-237H	OFF	ON	OFF
334H-337H	ON	ON	OFF
Reserved	OFF	OFF	ON
130H-133H	ON	OFF	ON
230H-233H	OFF	ON	ON
330H-333H	ON	ON	ON

### AT

IRQ	SW6	SW7	SW8
Reserved	OFF	OFF	OFF
Reserved	ON	OFF	OFF
15	OFF	ON	OFF
14	ON	ON	OFF
12	OFF	OFF	ON
9	ON	OFF	ON
10	OFF	ON	ON
11	ON	ON	ON

## SWITCH BAY 3

### BIOS

ADDRESS	SW3	SW4	SW5	
Disable		OFF	OFF	OFF
Reserved	ON	OFF	OFF	
0C8000H	OFF	ON	OFF	
0CC000H	ON	ON	OFF	
0D0000H	OFF	OFF	ON	
0D4000H	ON	OFF	ON	
0D8000H	OFF	ON	ON	
0DC000H	ON	ON	ON	

### SW6

Reserved

### SW7

Reserved

### SW8

Reserved

### HOST BUS

TRANSFER RATE	SW1	SW2
8.0 MB/SEC.	OFF	OFF
6.7 MB/SEC.	ON	OFF
5.7 MB/SEC.	OFF	ON
5.0 MB/SEC.	ON	ON

## JUMPER SETTINGS

**HOST**

<b>IRQ</b>	<b>W3</b>	<b>W4</b>	<b>W5</b>	<b>W6</b>	<b>W7</b>	<b>W8</b>
9	OFF	OFF	OFF	OFF	OFF	ON
10	OFF	OFF	OFF	OFF	ON	OFF
11	<i>OFF</i>	<i>OFF</i>	<i>OFF</i>	<i>ON</i>	<i>OFF</i>	<i>OFF</i>
12	OFF	OFF	ON	OFF	OFF	OFF
14	OFF	ON	OFF	OFF	OFF	OFF
15	ON	OFF	OFF	OFF	OFF	OFF

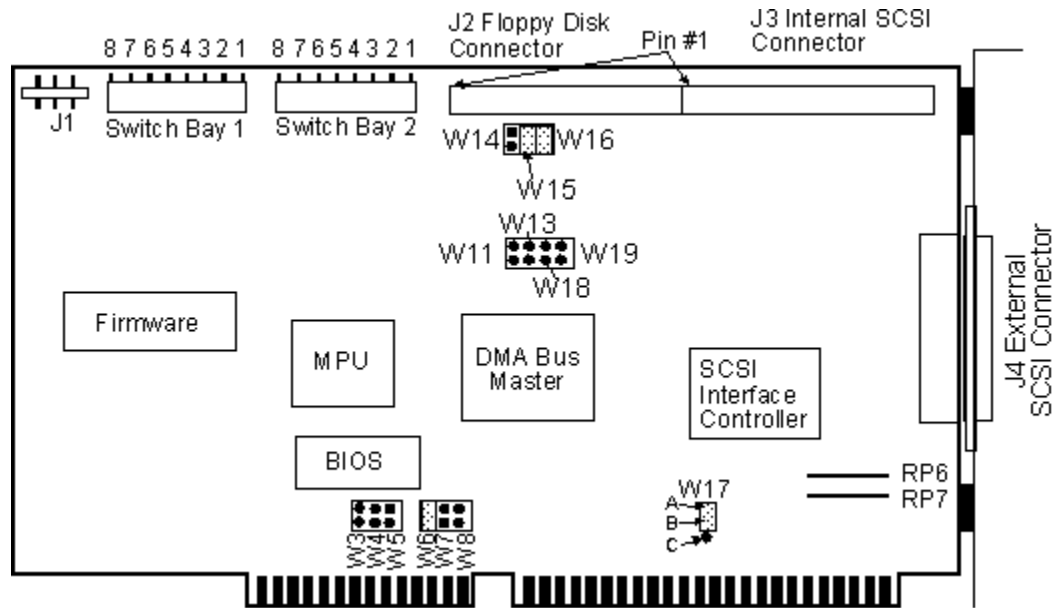
**W17**HOST I/O CHANNEL READY *ENABLE/DISABLE***FLOPPY I/O**

<b>ADDRESS</b>	<b>W14</b>
<i>PRIMARY (3FX)</i>	<i>OFF</i>
<i>SECONDARY (37X)</i>	<i>ON</i>

**FLOPPY**

<b>CONTROLLER</b>	<b>W15</b>	<b>W16</b>
<i>DISABLE</i>	<i>OFF</i>	<i>OFF</i>
<i>ENABLE</i>	<i>ON</i>	<i>ON</i>

## BusLogic BT-545S



This is the BusLogic 545S SCSI adapter shown. Listed below are the possible Interrupt Request Line (IRQ), Base I/O Address, Base Memory Address, and other jumper/switch configurations:

### Switch Bay 1

#### SCSI

ID	S1	S2	S3
0	OFF	OFF	OFF
1	ON	OFF	OFF
2	OFF	ON	OFF
3	ON	ON	OFF
4	OFF	OFF	ON
5	ON	OFF	ON
6	OFF	ON	ON
7	ON	ON	ON

#### SCSI

Parity	S4
Disable	OFF
Enable	ON

#### More than 1Gb Support S5

Disable	OFF
Enable	ON

#### Synchronous Negotiation S6

Disable	OFF
Enable	ON

## DMA

Channel	S7	S8
Disable	OFF	OFF
7	ON	OFF
6	OFF	ON
5	ON	ON

## Switch Bay 2

### I/O

Port Address	S1	S2	S3
Reserved	OFF	OFF	OFF
134h-137h	ON	OFF	OFF
234h-237h	OFF	ON	OFF
334h-337h	ON	ON	OFF
Reserved	OFF	OFF	ON
130h-133h	ON	OFF	ON
230h-233h	OFF	ON	ON
330h-333h	ON	ON	ON

### Bios

Address	S4	S5
0C8000h	OFF	OFF
Disable	ON	OFF
0D8000h	OFF	ON
0DC000h	ON	ON

### Host

Interrupt Channel	S6	S7	S8
Reserved	OFF	OFF	OFF
Reserved	ON	OFF	OFF
15	OFF	ON	OFF
14	ON	ON	OFF
12	OFF	OFF	ON
9	ON	OFF	ON
10	OFF	ON	ON
11	ON	ON	ON

## Jumpers

### Host

Interrupt Channel	W3	W4	W5	W6	W7	W8
15	ON	OFF	OFF	OFF	OFF	OFF
14	OFF	ON	OFF	OFF	OFF	OFF
12	OFF	OFF	ON	OFF	OFF	OFF
11	OFF	OFF	OFF	ON	OFF	OFF
10	OFF	OFF	OFF	OFF	ON	OFF
9	OFF	OFF	OFF	OFF	OFF	ON

### Bus

Transfer Rate	W11	W13
5.0 MB/Sec	OFF	OFF
5.7 MB/Sec	OFF	ON
6.7 MB/Sec	ON	OFF
8.0 MB/Sec	ON	ON

<b>Floppy Controller</b>	<b>W15</b>	<b>W16</b>
<i>Enable</i>	<i>ON</i>	<i>ON</i>
<i>Disable</i>	<i>OFF</i>	<i>OFF</i>

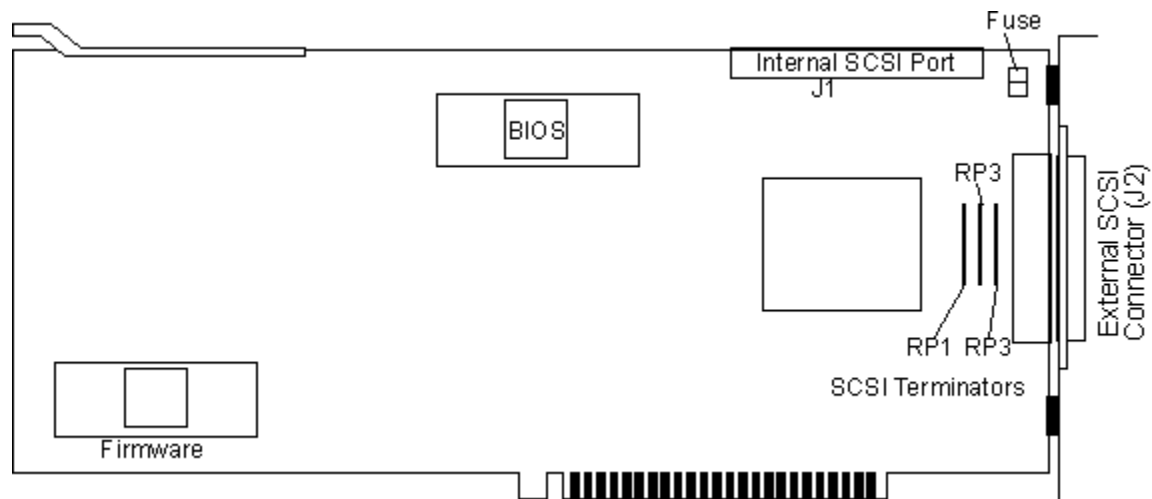
<b>Floppy Address</b>	<b>W14</b>
<i>3FX</i>	<i>OFF</i>
<i>37X</i>	<i>ON</i>

<b>I/O Channel Read</b>	<b>W17</b>
<i>Enable</i>	<i>A-B</i>
<i>Disable</i>	<i>B-C</i>

**W18** Reserved

<b>Max Synchronous Rate</b>	<b>W19</b>
<i>5 MB/Sec</i>	<i>ON</i>
<i>10 MB/Sec</i>	<i>OFF</i>

## **BusLogic BT-640A**



This SCSI interface card can be configured using the software supplied by the manufacturer. Please consult the documentation that came with your SCSI interface card or contact the manufacturer of the SCSI interface card for further information.

### **BIOS Address**

*Default - DC00h*

### **I/O Port Address**

*Default - 330h*

### **Arbitration Level**

*Default - Level 5*

### **Arbitration Firmware**

*Default - ON*

### **IRQ**

*Default - 15*

### **SCSI ID**

*Default - 7*

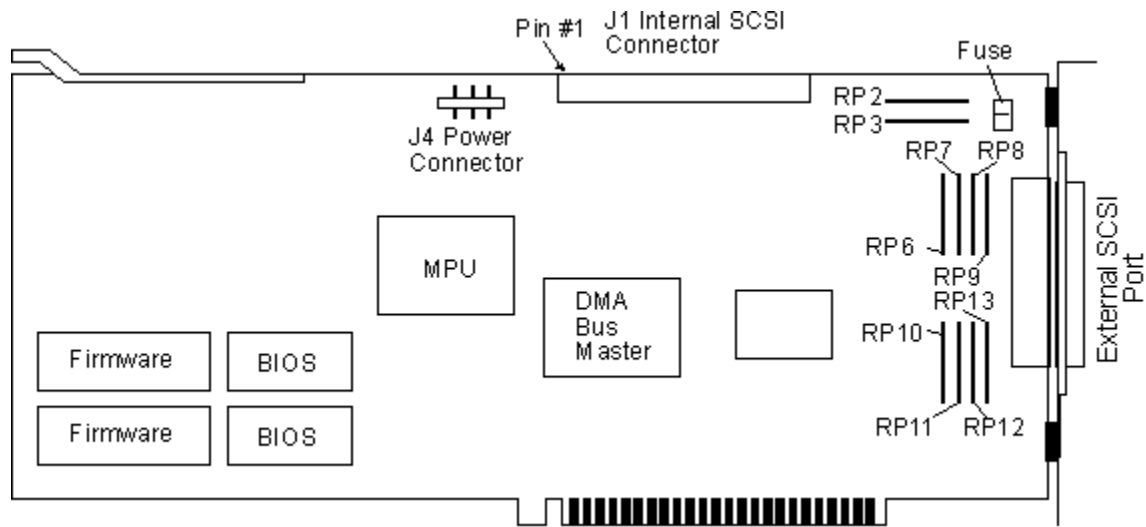
### **Adapter Sync**

*Default - ON*

### **Adapter SCSI parity checking**

*Default - ON*

## **BusLogic BT-646S/646D**



Note - The BT-746S supports the single-ended SCSI interface with active termination. The BT-746D supports the differential SCSI interface.

This SCSI interface card can be configured using the software supplied by the manufacturer. Please consult the documentation that came with your SCSI interface card or contact the manufacturer of the SCSI interface card for further information.

### **BIOS Address**

*Default - DC00h*

### **I/O Port Address**

*Default - 330h*

### **Arbitration Level**

*Default - Level 5*

### **Arbitration Fairness**

*Default - ON*

### **IRQ**

*Default - 15*

### **SCSI ID**

*Default - 7*

### **Adapter Sync**

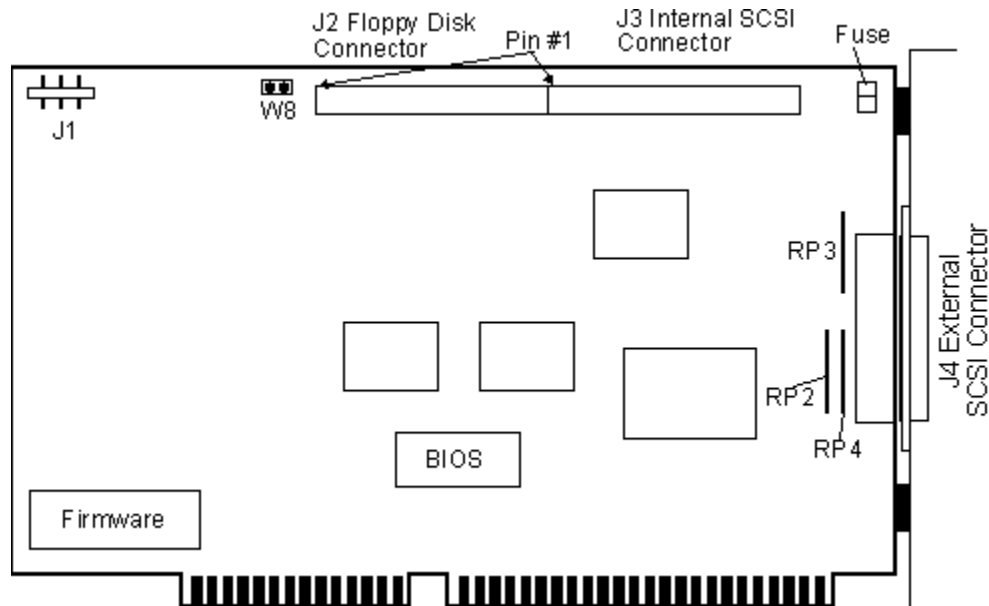
*Default - ON*

### **Adapter SCSI parity checking**

*Default - ON*



## **BusLogic BT-742A**



### **W8**

Floppy enable/disable

The remaining settings for this SCSI interface card can be configured using the software supplied by the manufacturer. Please consult the documentation that came with your SCSI interface card or contact the manufacturer of the SCSI interface card for further information.

Note: Terminators are RN2, RN3, and RN4. Remove if the the adapter is not the first or last device on the SCSI bus.

### **BIOS Address**

*Default - DC00h 16K*

### **I/O Port Address**

*Default - 330h*

### **IRQ**

*Default - 11*

### **SCSI ID**

*Default - 7*

### **Adapter Sync**

*Default - OFF*

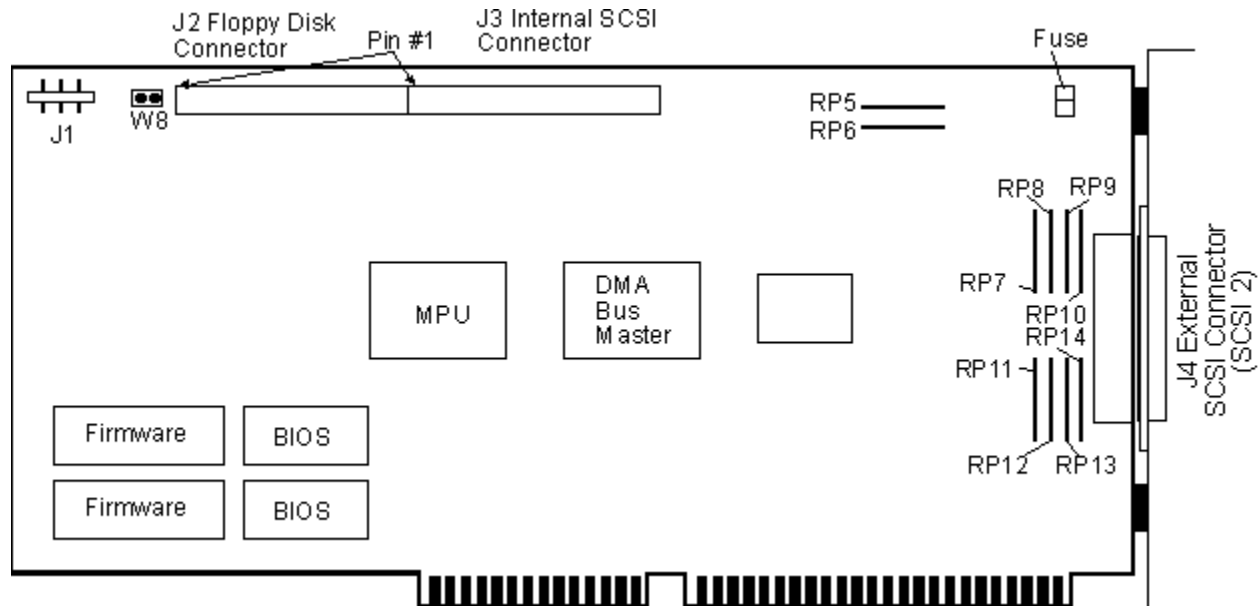
### **Adapter SCSI parity checking**

*Default - ON*

### **DMA Channel**

*Default - 5*

## BusLogic BT-747S/747D



### W8

Floppy enable/disable

### BIOS Address

Default - DC00h 16K

### I/O Port Address

Default - 330h

### IRQ

Default - 11

### SCSI ID

Default - 7

### Adapter Sync

Default - OFF

### Adapter SCSI parity checking

Default - ON

### DMA Channel

Default - 5

Note - The BT-747S supports the single-ended SCSI interface with active termination. The BT-747D supports the differential SCSI interface.

The remaining settings for this SCSI interface card can be configured using the software supplied by the manufacturer. Please consult the documentation that came with your SCSI interface card or contact the manufacturer of the SCSI interface card for further information.



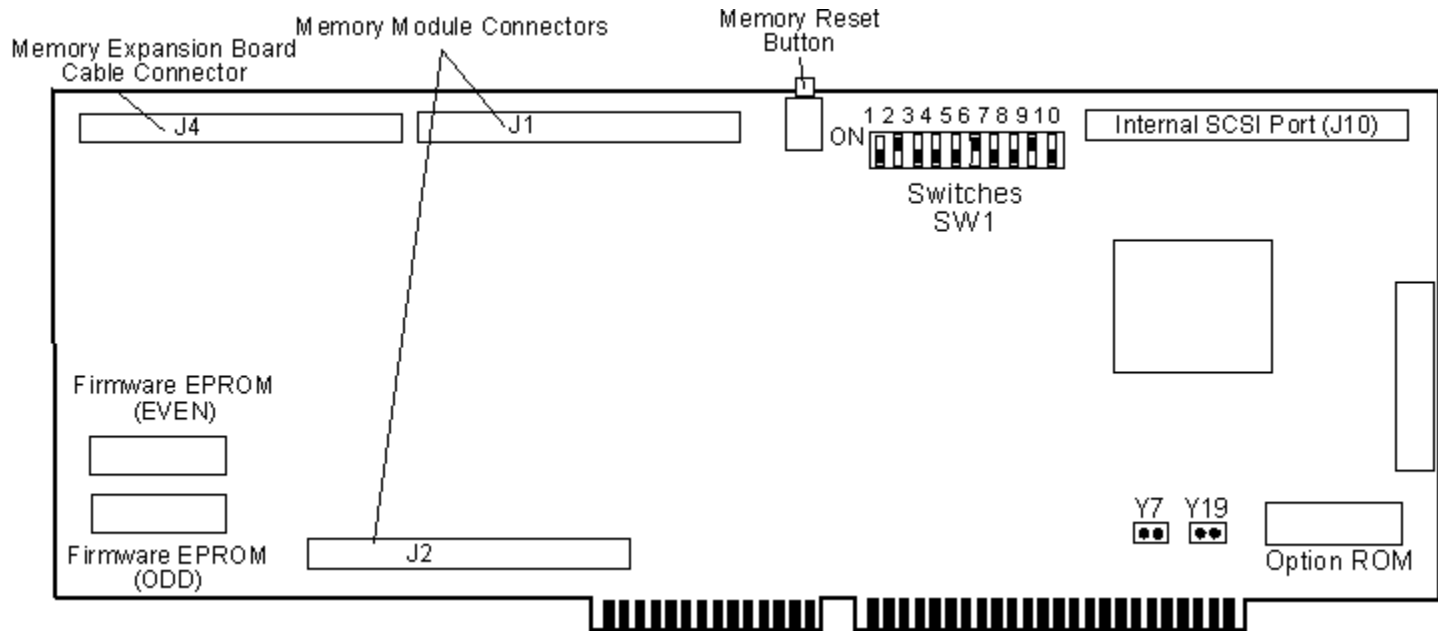
## **DPT**

Windows 95 Adapter help currently includes the following DPT SCSI cards:

PM2011

PM2012

## **DPT PM2012**



This is the DPT PM2012 SCSI adapter shown. Listed below are the possible Interrupt Request Line (IRQ), Base I/O Address, Base Memory Address, and other jumper/switch configurations:

### **SWITCH BAY 1**

#### **SW1**

Busy

#### **SW2**

Computer bus transfer to controller

#### **SW3**

Computer bus transfer from controller

#### **SW4**

Cache hit

#### **SW5**

Disk read-ahead active

#### **SW6**

Disk read

#### **SW7**

Disk write

#### **SW8**

Controller reset

#### **SW9**

Controller interrupt pending to computer

**SW10**

DAQ asserted to computer

**JUMPERS**

**W7**

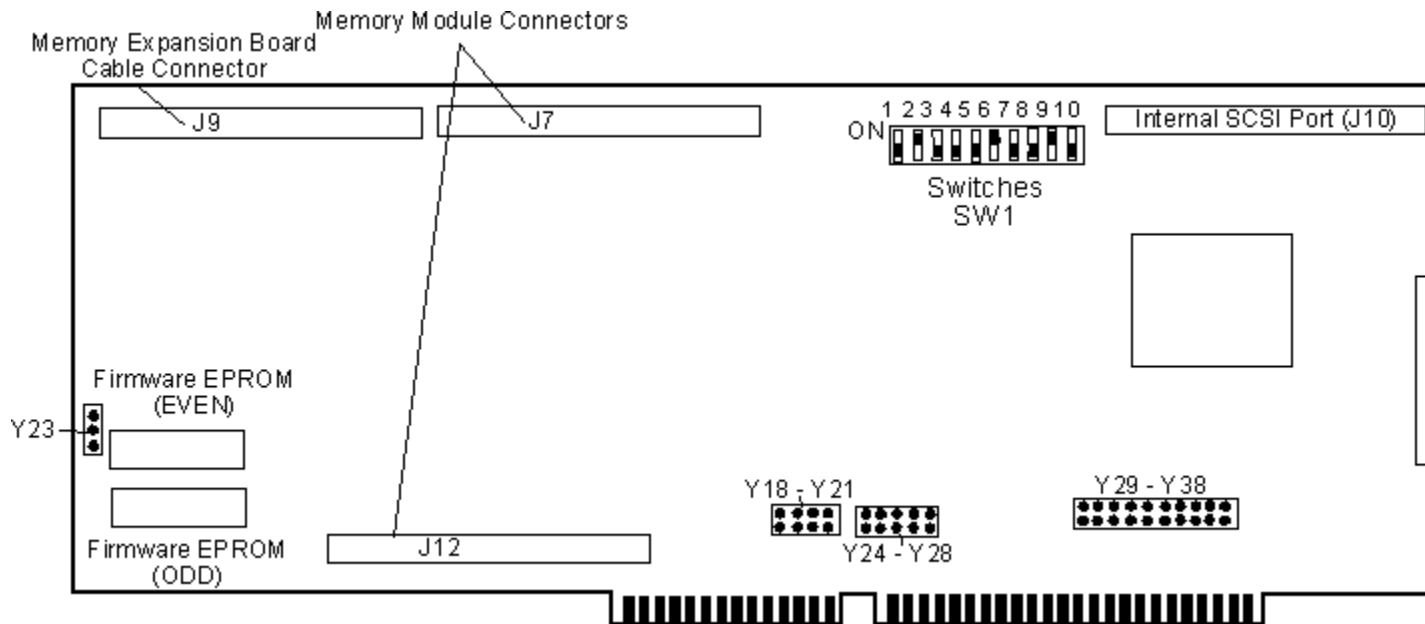
DPT ROM **ENABLE**/DISABLE

**DPT ROM**

<b>ADDRESS</b>	<b>W19</b>
<i>C8000</i>	<i>OFF</i>
D8000	ON

The remaining settings for this SCSI interface card can be configured using the software supplied by the manufacturer. Please consult the documentation that came with your SCSI interface card or contact the manufacturer of the SCSI interface card for further information.

## **DPT PM2011**



This is the DPT PM2011 SCSI adapter shown. Listed below are the possible Interrupt Request Line (IRQ), Base I/O Address, Base Memory Address, and other jumper/switch configurations:

### **Jumpers**

#### **Floppy Drive Y20**

Enable      OFF  
 Disable     ON

#### **Floppy Address      Y34**

3F0h        OFF  
 370h        ON

#### **Optional ROM Address      Y36      Y37**

C8000h	ON	ON
D8000h	ON	OFF
DC000h	OFF	ON
Disabled	OFF	OFF

### **SCSI**

<b>ID</b>	<b>Y25</b>	<b>Y18</b>	<b>Y26</b>
7	ON	ON	ON
6	OFF	ON	ON
5	ON	OFF	ON
4	OFF	OFF	ON
3	ON	ON	OFF
2	OFF	ON	OFF
1	ON	OFF	OFF

0      OFF    OFF    OFF

**MEMCS16**

<b>(ISA Memory)</b>	<b>Y21</b>	<b>Y28</b>	<b>Memory</b>
<i>Ignore MEMCS16</i>	<i>OFF</i>	<i>ON</i>	<i>16-bit</i>
<i>Decode MEMCS16</i>	<i>ON</i>	<i>OFF</i>	<i>8 or 16-bit</i>

**Address Lines Used      Y19**

<i>SA17-19 &amp; LA17-19 driven</i>	<i>ON</i>
<i>Only LA17-19 driven</i>	<i>OFF</i>

**DMA Speed    Y27**

<i>4 MB/Sec</i>	<i>ON</i>
<i>5 MB/Sec</i>	<i>OFF</i>

**Bus Mastering      Y24**

<i>Enabled</i>	<i>OFF</i>
<i>Disabled</i>	<i>ON</i>

**EPROM Size**

<b>(Jumper Y23)</b>		<b>Post 1</b>	<b>Post 2</b>	<b>Post 3</b>
<i>256K</i>	<i>OFF</i>	<i>ON</i>	<i>ON</i>	
<i>512K</i>	<i>ON</i>	<i>ON</i>	<i>OFF</i>	



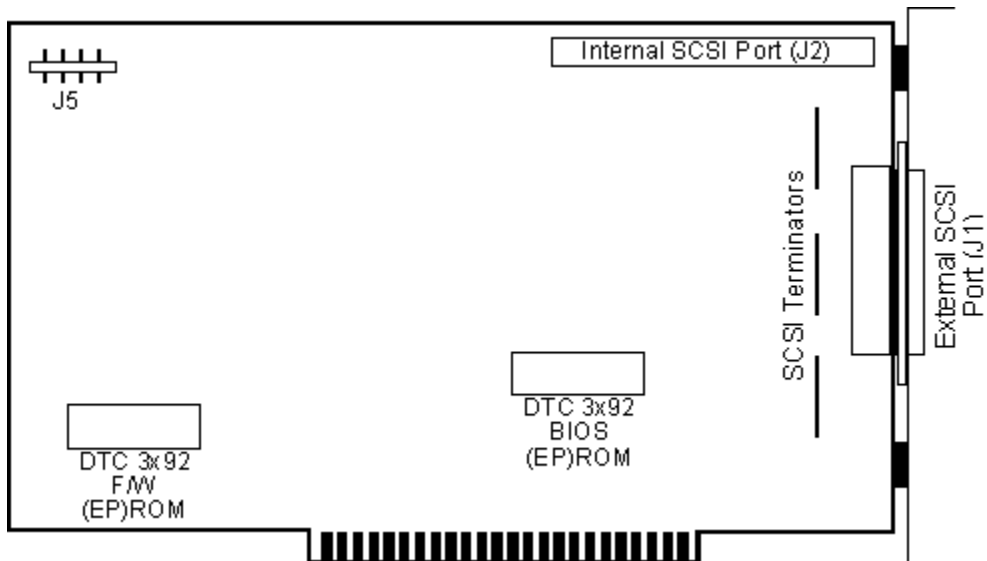
## **DTC**

Windows 95 Adapter help currently includes the following DTC SCSI cards:

DTC 3192

DTC 3292

## **DTC 3192**



This SCSI interface card can be configured using the software supplied by the manufacturer. Please consult the documentation that came with your SCSI interface card or contact the manufacturer of the SCSI interface card for further information.

### **BIOS Address**

*Default - D800h*

### **I/O Port Address**

*Default - 330h*

### **IRQ**

*Default - 11*

### **SCSI ID**

*Default - 7*

### **Adapter SCSI parity checking**

*Default - OFF*

### **Floppy Disk Controller**

*Default - ON*

### **SCSI Cold Boot Delay**

*Default - 10sec*

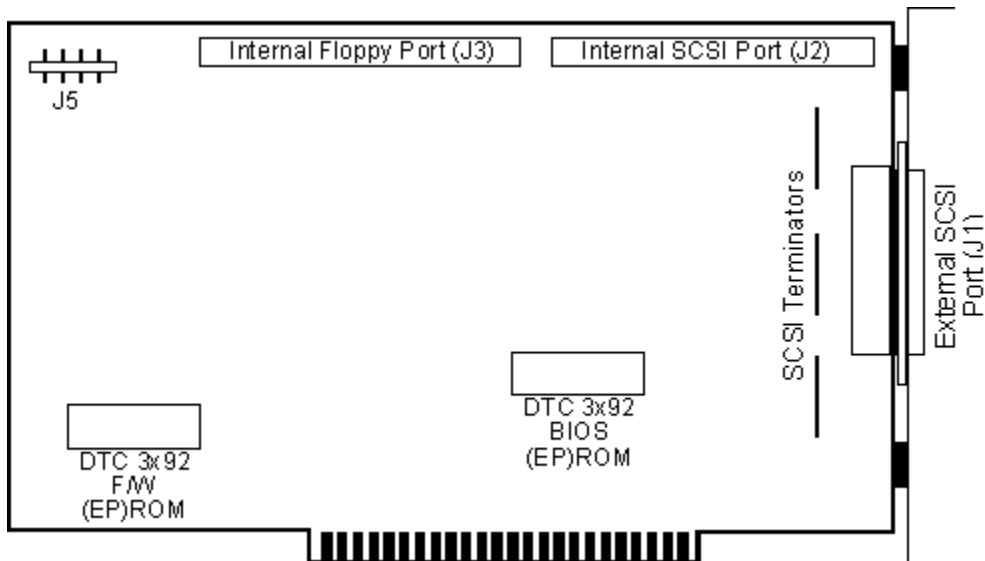
### **Start SCSI Delay**

*Default - OFF*

### **SCSI Auto Synchronous Negotiation**

*Default - OFF*

## **DTC 3292**



This SCSI interface card can be configured using the software supplied by the manufacturer. Please consult the documentation that came with your SCSI interface card or contact the manufacturer of the SCSI interface card for further information.

### **BIOS Address**

*Default - D800h*

### **I/O Port Address**

*Default - 330h*

### **IRQ**

*Default - 11*

### **SCSI ID**

*Default - 7*

### **Adapter SCSI parity checking**

*Default - OFF*

### **Floppy Disk Controller**

*Default - ON*

### **SCSI Cold Boot Delay**

*Default - 10sec*

### **Start SCSI Delay**

*Default - OFF*

### **SCSI Auto Synchronous Negotiation**

*Default - OFF*

## **Future Domain**

Windows 95 Adapter help currently includes the following Future Domain SCSI cards:

MCS-600

MCS-700

TMC-845

TMC-850-M

TMC-860M/885M

TMC-1650

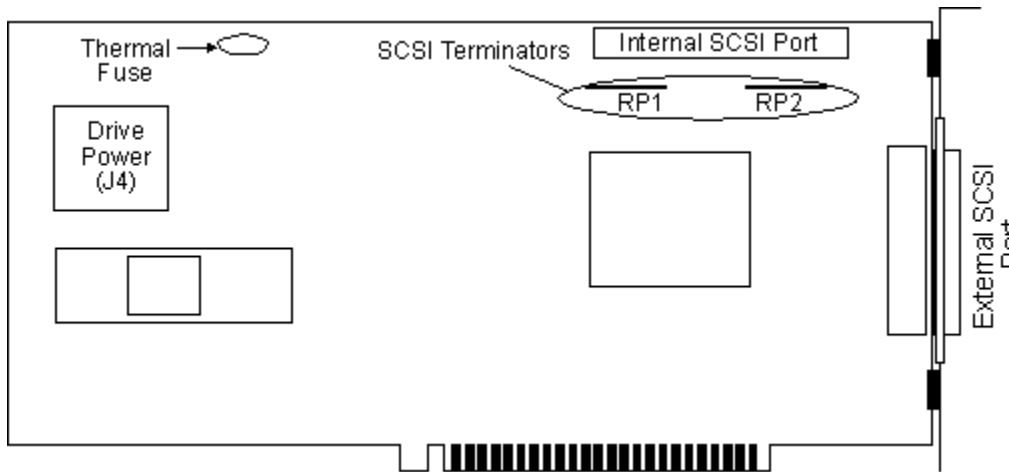
TMC-1660

TMC-1670

TMC-1680

TMC-7000EX

## **Future Domain MCS-600**



This is the Future Domain MCS-600 SCSI adapter shown. Listed below are the possible Interrupt Request Line (IRQ), Base I/O Address, Base Memory Address, and other jumper/switch configurations:

### **W4**

Termination Power Enable/Disable

The remaining settings for this SCSI interface card can be configured using the software supplied by the manufacturer. Please consult the documentation that came with your SCSI interface card or contact the manufacturer of the SCSI interface card for further information.

### **Interrupt Request Line (IRQ)**

*Default - IRQ5*

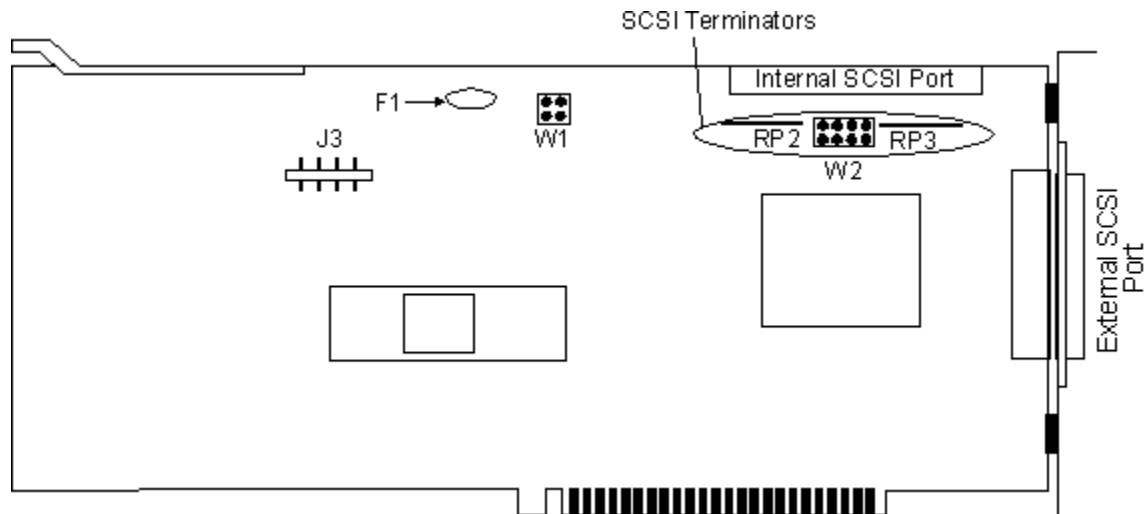
### **Base I/O Address**

*Default - 140h*

### **Base Memory Address**

*Default - CA00h*

## **Future Domain MCS-700**



This is the Future Domain MCS-700 SCSI adapter shown. Listed below are the possible Interrupt Request Line (IRQ), Base I/O Address, Base Memory Address, and other jumper/switch configurations:

### **W1**

Termination Power Enable/Disable

The remaining settings for this SCSI interface card can be configured using the software supplied by the manufacturer. Please consult the documentation that came with your SCSI interface card or contact the manufacturer of the SCSI interface card for further information.

### **Interrupt Request Line (IRQ)**

*Default - IRQ5*

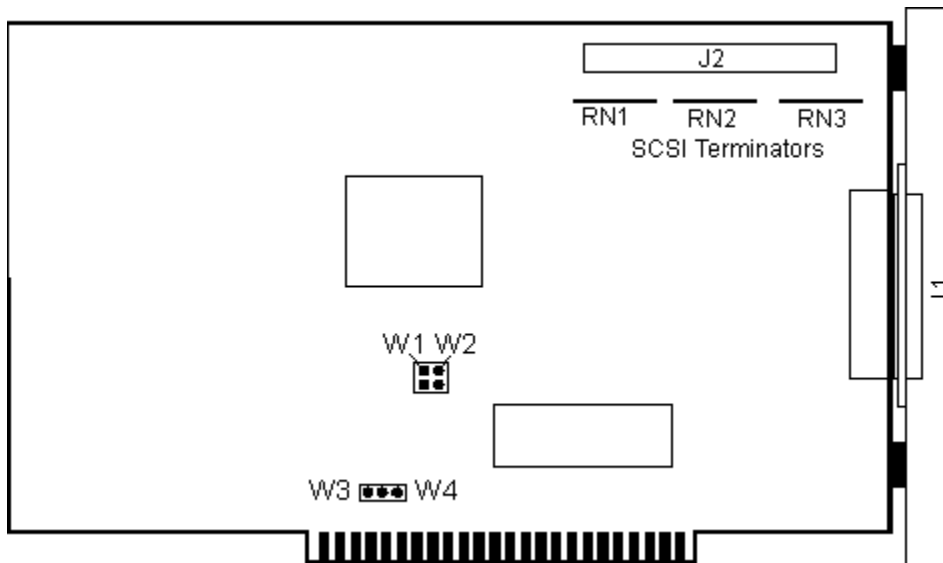
### **Base I/O Address**

*Default - 140h*

### **Base Memory Address**

*Default - CA00h*

## Future Domain TMC-845



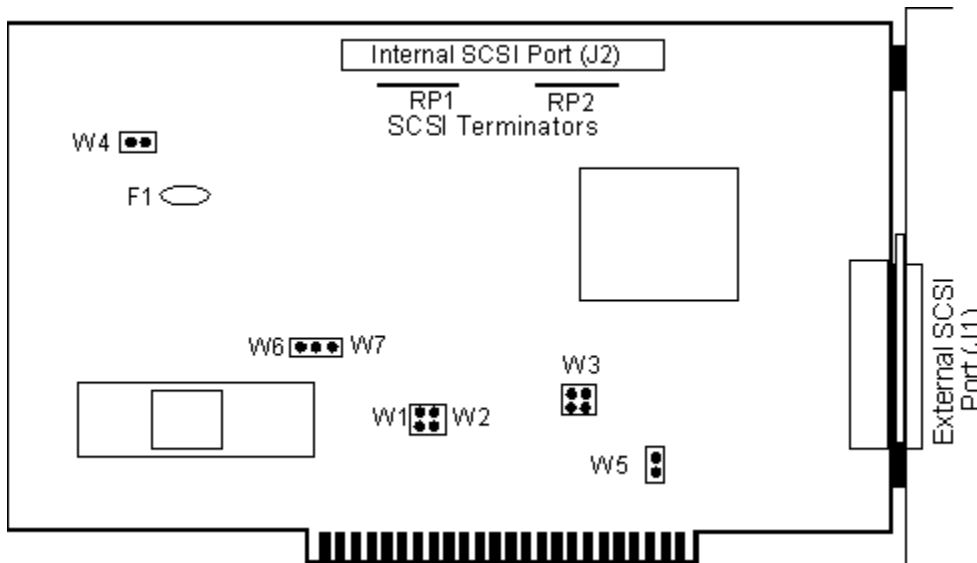
This is the Future Domain TMC-845 SCSI adapter shown. Listed below are the possible Interrupt Request Line (IRQ), Base I/O Address, Base Memory Address, and other jumper/switch configurations:

<b>ADDRESS</b>	<b>W1</b>	<b>W2</b>
CA00H	OFF	OFF
C800H	OFF	ON
CE00H	ON	OFF
DE00H	ON	ON

<b>IRQ</b>	<b>W3</b>	<b>CENTER POST</b>	<b>W4</b>
3	ON	ON	OFF
5	OFF	ON	ON

The remaining settings for this SCSI interface card can be configured using the software supplied by the manufacturer. Please consult the documentation that came with your SCSI interface card or contact the manufacturer of the SCSI interface card for further information.

## **Future Domain TMC-850-M**



This is the Future Domain TMC-850-M SCSI adapter shown above. Listed below are the possible Interrupt Request Line (IRQ), Base I/O Address, Base Memory Address, and other jumper/switch configurations:

### **BIOS BASE**

<b>ADDRESS</b>	<b>W1</b>	<b>W2</b>	<b>W3</b>
CA00H	OFF	OFF	"1-2, 3-4"
C800H	OFF	ON	"1-2, 3-4"
CE00H	ON	OFF	"1-2, 3-4"
DE00H	ON	ON	"1-2, 3-4"
E800H	OFF	OFF	"1-3, 2-4"
EC00H	ON	OFF	"1-3, 2-4"

### **W4**

Termination Power Enable/Disable (Shorted/Open)

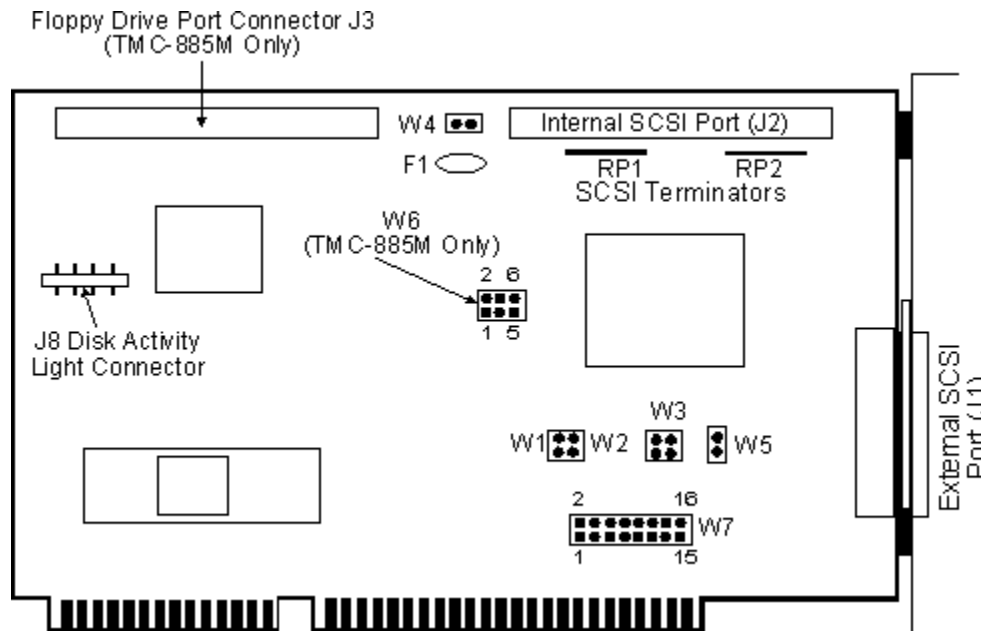
### **W5**

Zero Wait State Enable/Disable (Shorted/Open)

<b>IRQ</b>	<b>W6</b>	<b>CENTER POST</b>	<b>W7</b>
3	ON	ON	OFF
5	OFF	ON	ON



## Future Domain TMC-860M/885M



This is the Future Domain TMC-860M/885M SCSI adapter shown above. Listed below are the possible Interrupt Request Line (IRQ), Base I/O Address, Base Memory Address, and other jumper/switch configurations:

### BIOS BASE

ADDRESS	W1	W2	W3
CA00H	OFF	OFF	"1-2, 3-4"
C800H	OFF	ON	"1-2, 3-4"
CE00H	ON	OFF	"1-2, 3-4"
DE00H	ON	ON	"1-2, 3-4"
E800H	OFF	OFF	"1-3, 2-4"
EC00H	ON	OFF	"1-3, 2-4"

### W4

Termination Power Enable/Disable (Shorted/Open)

### W5

Zero Wait State Enable/Disable (Shorted/Open)

### W6

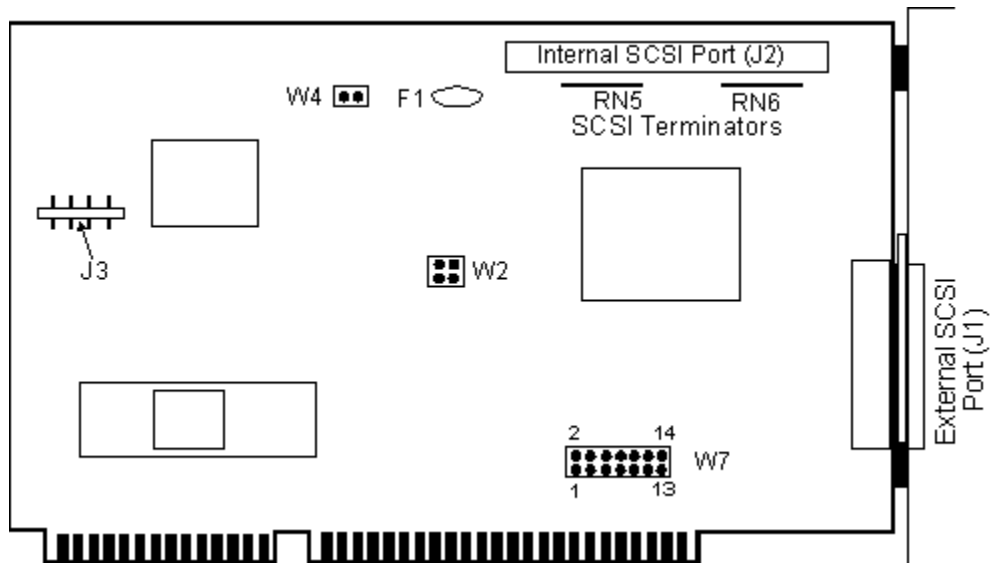
(TMC-885M Only)	PIN 1-2	PIN 3-4	PIN 5-6
Floppy Circuit Enable	ON	ON	ON
Floppy Circuit Disable	OFF	OFF	OFF

### W7

IRQ	P1-2	P3-4	P5-6	P7-8	P9-10	P11-12	P13-14	P15-16
3	ON	OFF	OFF	OFF	OFF	OFF	OFF	OFF
4	OFF	ON	OFF	OFF	OFF	OFF	OFF	OFF
5	OFF	OFF	ON	OFF	OFF	OFF	OFF	OFF
10	OFF	OFF	OFF	ON	OFF	OFF	OFF	OFF
11	OFF	OFF	OFF	OFF	ON	OFF	OFF	OFF

12	OFF	OFF	OFF	OFF	OFF	ON	OFF	OFF
14	OFF	OFF	OFF	OFF	OFF	OFF	ON	OFF
15	OFF	OFF	OFF	OFF	OFF	OFF	OFF	ON

## Future Domain TMC-1650



This is the Future Domain TMC-1650 SCSI adapter shown. Listed below are the possible Interrupt Request Line (IRQ), Base I/O Address, Base Memory Address, and other jumper/switch configurations:

### **W1**

<b>IRQ</b>	<b>J1</b>	<b>J2</b>	<b>J3</b>
3	OFF	OFF	OFF
5	ON	OFF	OFF
10	OFF	ON	OFF
11	ON	ON	OFF
12	OFF	OFF	ON
14	ON	OFF	ON
15	OFF	ON	ON
Disabled	ON	ON	ON

### **I/O**

<b>ADDRESS</b>	<b>J4</b>	<b>J5</b>
0140-014F	OFF	OFF
0150-015F	ON	OFF
0160-016F	OFF	ON
0170-017F	ON	ON

### **MEMORY**

<b>ADDRESS</b>	<b>J6</b>	<b>J7</b>
C8000-C9FFF	OFF	OFF
CA000-CBFFF	ON	OFF
CE000-CFFFF	OFF	ON
DE000-DEFFF	ON	ON

### **W2**

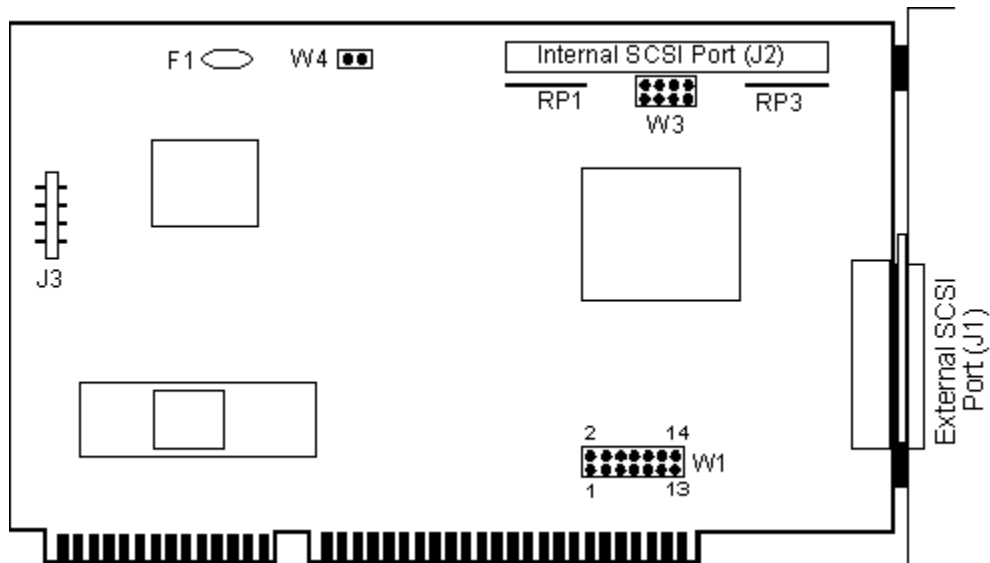
<b>ROM</b>	<b>J1</b>	<b>J2</b>
------------	-----------	-----------

<i>ENABLE</i>	<i>ON</i>	<i>ON</i>
<i>DISABLE</i>	<i>OFF</i>	<i>OFF</i>

**W4**

Termination Power Enable/*Disable*

## Future Domain TMC-1660



This is the Future Domain TMC-1660 SCSI adapter shown. Listed below are the possible Interrupt Request Line (IRQ), Base I/O Address, Base Memory Address, and other jumper/switch configurations:

### **W1**

<b>IRQ</b>	<b>J1</b>	<b>J2</b>	<b>J3</b>
3	OFF	OFF	OFF
5	ON	OFF	OFF
10	OFF	ON	OFF
11	ON	ON	OFF
12	OFF	OFF	ON
14	ON	OFF	ON
15	OFF	ON	ON
Disabled	ON	ON	ON

### **I/O**

<b>ADDRESS</b>	<b>J4</b>	<b>J5</b>
0140-014F	OFF	OFF
0150-015F	ON	OFF
0160-016F	OFF	ON
0170-017F	ON	ON

### **MEMORY**

<b>ADDRESS</b>	<b>J6</b>	<b>J7</b>
C8000-C9FFF	OFF	OFF
CA000-CBFFF	ON	OFF
CE000-CFFFF	OFF	ON
DE000-DFFFF	ON	ON

### **W3**

<b>FLOPPY</b>	<b>J1</b>	<b>J2</b>	<b>J3</b>
---------------	-----------	-----------	-----------

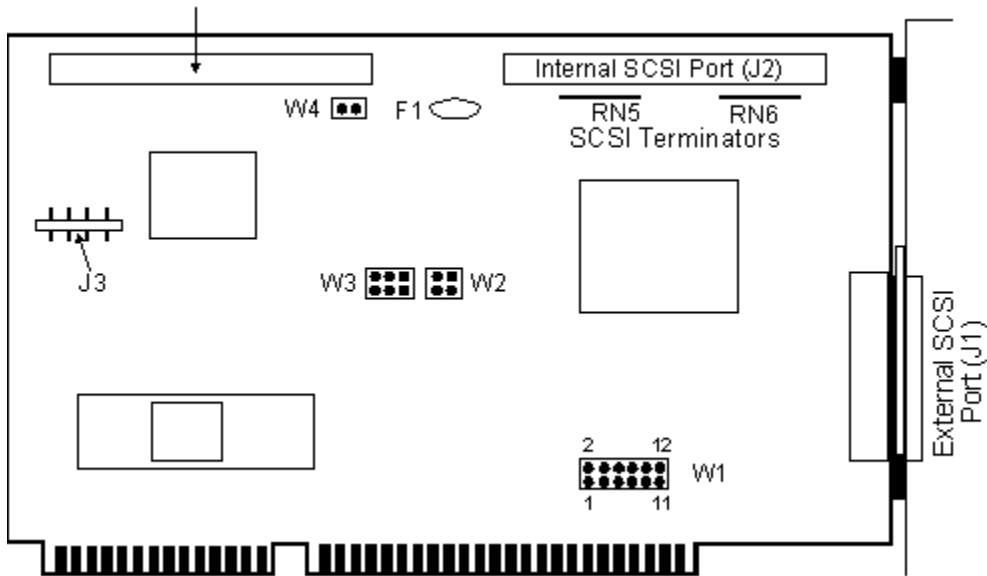
ENABLE	ON	ON	ON
DISABLE	OFF	OFF	OFF

**W4**

Termination Power Enable/*Disable*

## Future Domain TMC-1670

Floppy Drive Port Connector J5



This is the Future Domain TMC-1670 SCSI adapter shown. Listed below are the possible Interrupt Request Line (IRQ), Base I/O Address, Base Memory Address, and other jumper/switch configurations:

### W1

IRQ	J1	J2	J3
3	OFF	OFF	OFF
5	ON	OFF	OFF
10	OFF	ON	OFF
11	ON	ON	OFF
12	OFF	OFF	ON
14	ON	OFF	ON
15	OFF	ON	ON
Disabled	ON	ON	ON

### I/O

ADDRESS	J4	J5
0140-014F	OFF	OFF
0150-015F	ON	OFF
0160-016F	OFF	ON
0170-017F	ON	ON

### MEMORY

ADDRESS	J6	J7
C8000-C9FFF	OFF	OFF
CA000-CBFFF	ON	OFF
CE000-CFFFF	OFF	ON
DE000-DFFFF	ON	ON

### W2

<b>ROM</b>	<b>J1</b>	<b>J2</b>
ENABLE	ON	ON
DISABLE	OFF	OFF

**W3**

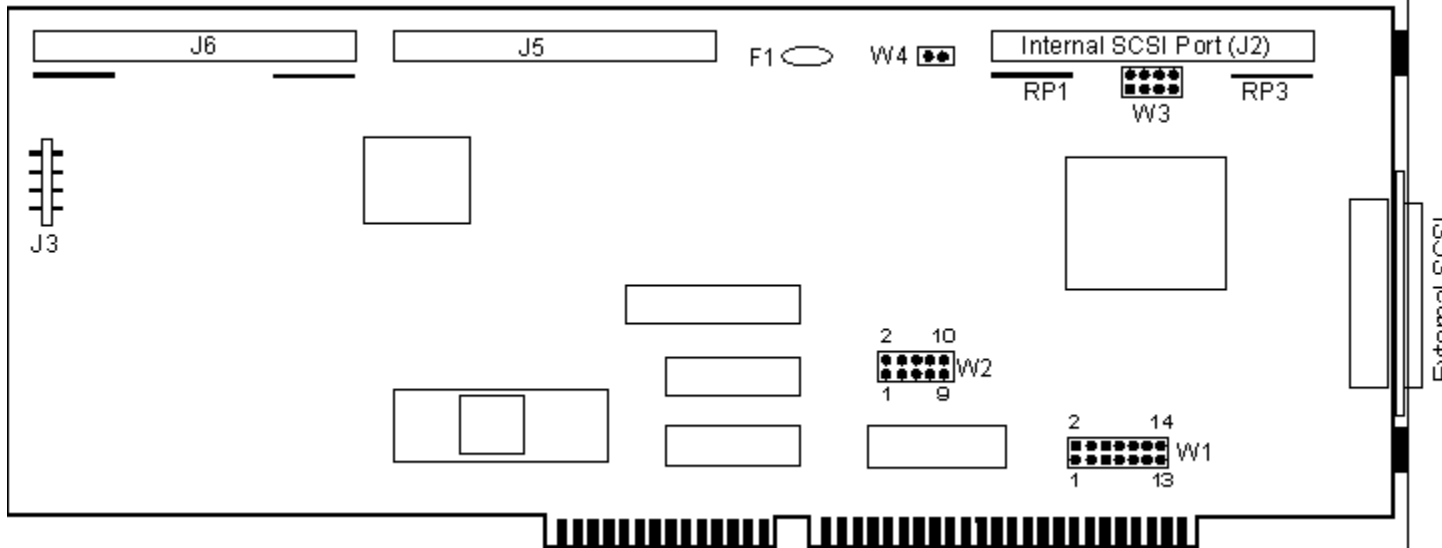
<b>FLOPPY</b>	<b>J1</b>	<b>J2</b>	<b>J3</b>
ENABLE	ON	ON	ON
DISABLE	OFF	OFF	OFF

**W4**

Termination Power Enable/*Disable*



## Future Domain TMC-1680



This is the Future Domain TMC-1680 SCSI adapter shown. Listed below are the possible Interrupt Request Line (IRQ), Base I/O Address, Base Memory Address, and other jumper/switch configurations:

### **W1**

<b>IRQ</b>	<b>J1</b>	<b>J2</b>	<b>J3</b>
3	OFF	OFF	OFF
5	ON	OFF	OFF
10	OFF	ON	OFF
11	ON	ON	OFF
12	OFF	OFF	ON
14	ON	OFF	ON
15	OFF	ON	ON
Disabled	ON	ON	ON

### **I/O**

<b>ADDRESS</b>	<b>J4</b>	<b>J5</b>
0140-014F	OFF	OFF
0150-015F	ON	OFF
0160-016F	OFF	ON
0170-017F	ON	ON

### **MEMORY**

<b>ADDRESS</b>	<b>J6</b>	<b>J7</b>
C8000-C9FFF	OFF	OFF
CA000-CBFFF	ON	OFF
CE000-CFFFF	OFF	ON
DE000-DFFFF	ON	ON

### **W2**

### **JUMPER 1**

PRIMARY DISKETTE *ENABLE/DISABLE*

**JUMPER 2**

SECONDARY DISKETTE *ENABLE/DISABLE*

**JUMPER 3**

AT DISK CONTROLLER *ENABLE/DISABLE*

**JUMPER 4**

ROM *ENABLE/DISABLE*

**JUMPER 5**

ROM AND RAM *ENABLE/DISABLE*

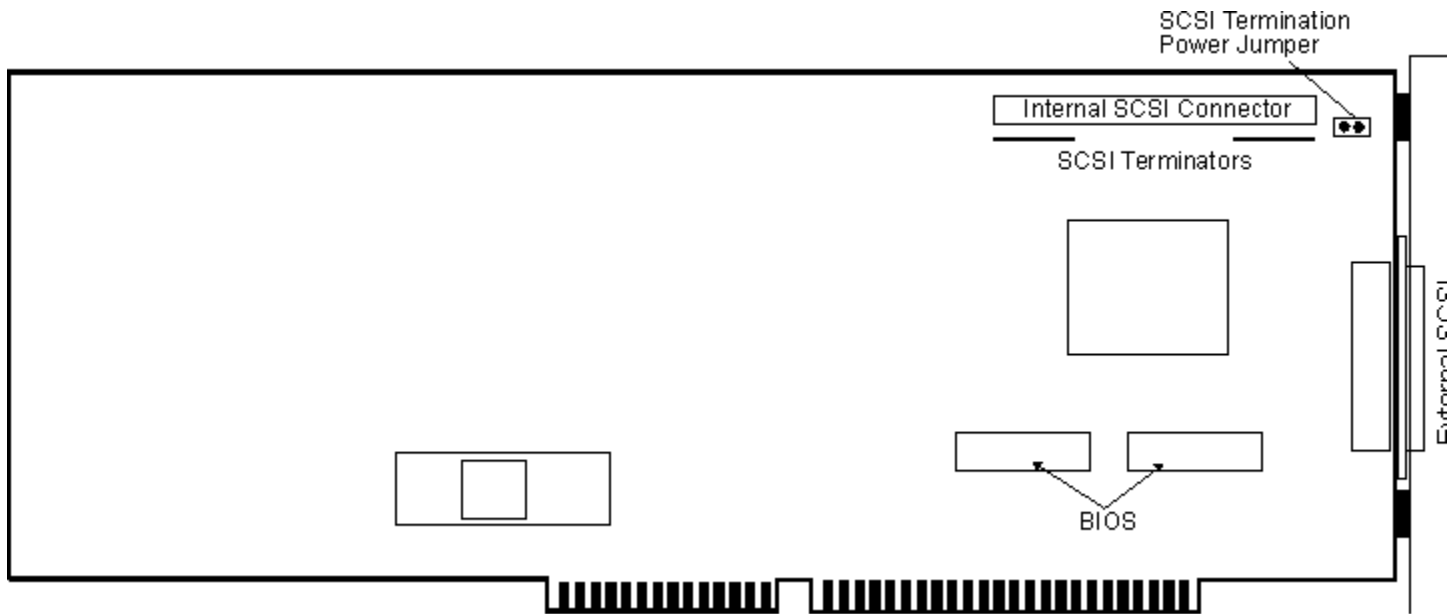
**W3**

<b>FLOPPY</b>	<b>J1</b>	<b>J2</b>	<b>J3</b>
ENABLE	ON	ON	ON
DISABLE	OFF	OFF	OFF

**W4**

TERMINATION POWER *ENABLE/DISABLE*

## **Future Domain TMC-7000EX**



This SCSI interface card can be configured using the software supplied by the manufacturer. Please consult the documentation that came with your SCSI interface card or contact the manufacturer of the SCSI interface card for further information.

### **Interrupt Request Line (IRQ)**

*Default - IRQ14*

### **Base Memory Address**

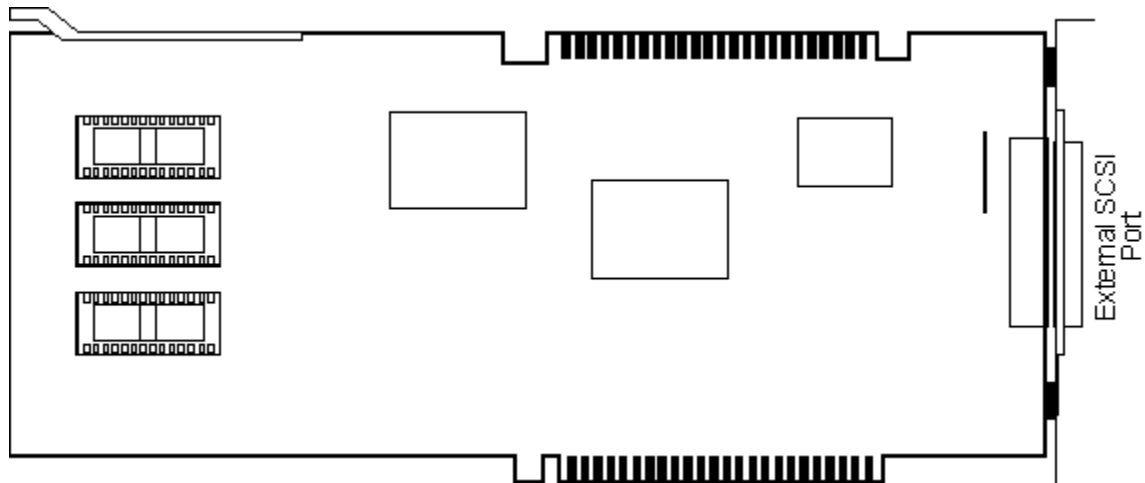
*Default - DC000h - DFFFFh*

## **IBM**

Windows 95 Adapter help currently includes the following IBM SCSI cards:

IBM PS/2 Microchannel SCSI Host Adapter

## **IBM PS/2 SCSI Host Adapter**



This SCSI interface card can be configured using the software supplied by the manufacturer. Please consult the documentation that came with your SCSI interface card or contact the manufacturer of the SCSI interface card for further information.

## **NCR**

Windows 95 Adapter help currently includes the following NCR SCSI cards:

NCR 53C90

NCR 53C700

NCR 53C710

## **NCR 53C90**

This is the NCR 53C90 SCSI adapter shown. Listed below are the possible Interrupt Request Line (IRQ), Base I/O Address, Base Memory Address, and other jumper/switch configurations:

Need Doc's!!

## **NCR 53C700**

This is the NCR 53C700 SCSI adapter shown. Listed below are the possible Interrupt Request Line (IRQ), Base I/O Address, Base Memory Address, and other jumper/switch configurations:

Need Doc's!!



## **NCR 53C710**

This is the NCR 53C710 SCSI adapter shown. Listed below are the possible Interrupt Request Line (IRQ), Base I/O Address, Base Memory Address, and other jumper/switch configurations:

Need Doc's!!

## **UltraStor**

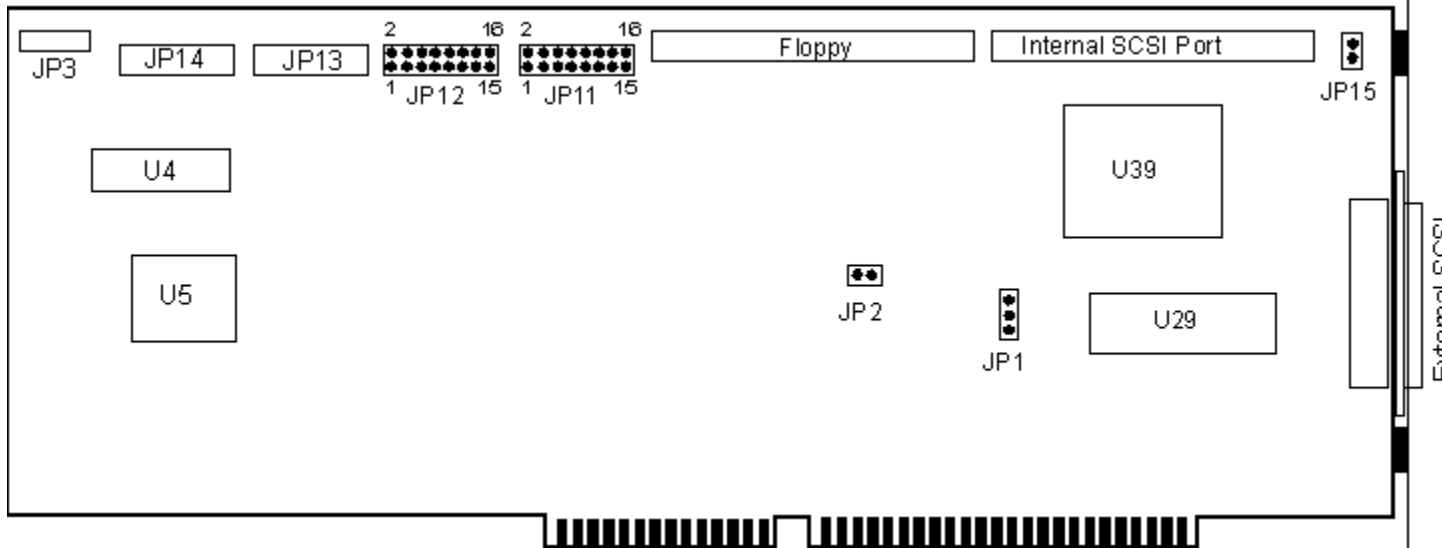
Windows 95 Adapter help currently includes the following UltraStor SCSI cards:

UltraStor 14F

UltraStor 24F

UltraStor 34F

## UltraStor 14F



This is the UltraStor 14F SCSI adapter shown. Listed below are the possible Interrupt Request Line (IRQ), Base I/O Address, Base Memory Address, and other jumper/switch configurations:

### JP2

Floppy Control *Enable/Disable*

### JP11 (JUMPER BLOCK 1)

#### DMA

CHANNEL	J1-2	J3-4
5	OFF	OFF
6	OFF	ON
7	ON	OFF
Reserved	ON	ON

#### IRQ J5-6 J7-8

10	ON	ON
11	ON	OFF
14	OFF	ON
15	OFF	OFF

### J9-J10

RESERVED

#### BIOS

SEGMENT	J11-12	J13-14	J15-16
Disable	OFF	OFF	OFF
C4000-C7FFF	OFF	OFF	ON
C8000-CBFFF	OFF	ON	OFF
CC000-CFFFF	OFF	ON	ON
D0000-D3FFF	ON	OFF	OFF
D4000-D7FFF	ON	OFF	ON

D8000-DBFFF ON ON OFF  
DC000-DFFFF ON ON ON

### JP12 (JUMPER BLOCK 2)

#### ISA TASK FILE

REGISTER ADDRESS	J1-2	J3-4
"1F0H-1F7H, 3F6-3F7"	OFF	OFF
"170H-177H, 376-377"	OFF	ON
<i>Disable</i>	ON	ON

#### NUMBER OF HARD DRIVES

	J5-6
2 (MAX) HD PER SYSTEM	OFF
7 (MAX) HD PER HOST ADAPTER	ON

#### HEAD MAPPING MODE

	J7-8	J9-10
16 HEAD; 63 SECTOR MAPPING	OFF	OFF
64 HEAD; 32 SECTOR MAPPING	OFF	ON
64 HEAD; 63 SECTOR MAPPING	ON	OFF
64 HEAD; 32 SECTOR MAPPING	ON	ON

#### SCSI

ID	J11-12	J13-14	J15-16
0	OFF	OFF	OFF
1	OFF	OFF	ON
2	OFF	ON	OFF
3	OFF	ON	ON
4	ON	OFF	OFF
5	ON	OFF	ON
6	ON	ON	OFF
7	ON	ON	ON

### JP13 (JUMPER BLOCK 3)

#### MOTOR SPIN

UP SEQUENCING	J1-2
DEVICE AUTO SPIN UP	OFF
SEQUENTIAL SPIN UP	ON

#### SYNC NEGOTIATION

	J3-4
HOST ADAPTER INITIATED	OFF
TARGET INITIATED	ON

#### J5-6

SCSI Parity *Enable/Disable*

#### J7-8

Reserved for SCSI Function

#### J9-10

Reserved for SCSI Function

#### THIRD FLOPPY

CABLE SELECTION	J11-12
-----------------	--------

DOUBLE TWISTED CABLE    OFF  
SINGLE TWISTED CABLE    ON

**FLOPPY**

**PORT CONTROL    J13-14**  
3F0H-3F7H            OFF  
370H-377H            ON

**J15-16**

Reserved

**JP14 (JUMBER BLOCK 4)**

**DMA**

<b>TRANSFER SPEED</b>	<b>J1-2</b>	<b>J3-4</b>
5.0 MB/SEC.	OFF	OFF
6.7 MB/SEC.	OFF	ON
8.0 MB/SEC.	ON	OFF
10.0 MB/SEC.	ON	ON

**CMD**

**RECOVERY TIME    J5-6**  
150 NSEC            OFF  
100 NSEC            ON

**J7-8**

Reserved

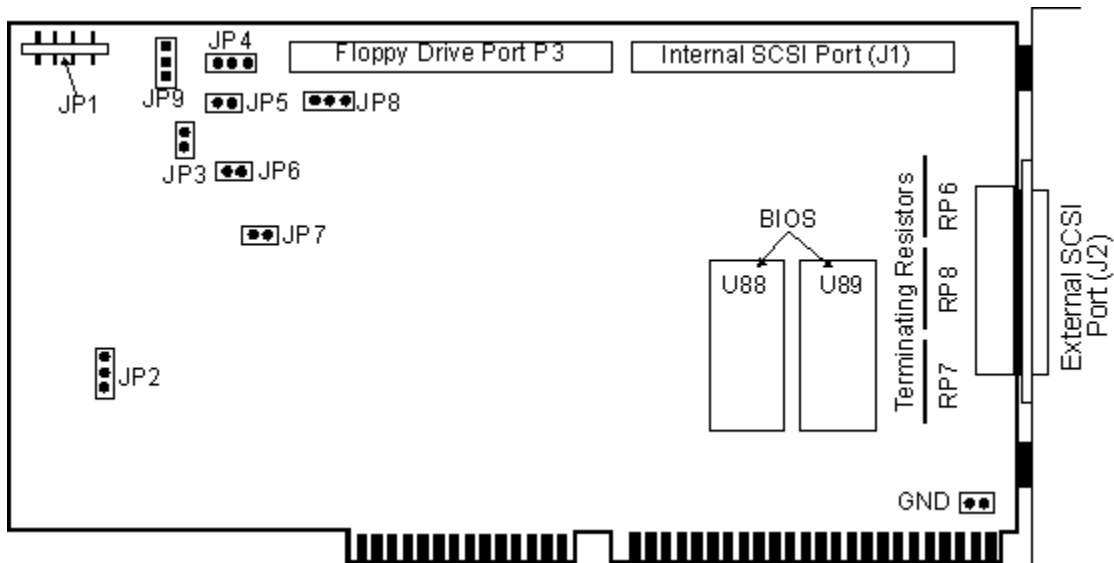
**J9-10**

Reserved

**MAILBOX PORT**

<b>I/O BASE ADDRESS</b>	<b>J11-12</b>	<b>J13-14</b>	<b>J15-16</b>
330H	OFF	OFF	OFF
340H	OFF	OFF	ON
310H	OFF	ON	OFF
230H	OFF	ON	ON
240H	ON	OFF	OFF
210H	ON	OFF	ON
130H	ON	ON	OFF
140H	ON	ON	ON

## UltraStor 24F



This is the UltraStor 24F SCSI adapter shown. Listed below are the possible Interrupt Request Line (IRQ), Base I/O Address, Base, Memory Address, and other jumper/switch configurations:

### **JP7**

FLOPPY ENABLE/DISABLE (ON/OFF)

The rest of this SCSI interface cards' settings can be configured using the software supplied by the manufacturer. Please consult the documentation that came with your SCSI interface card or contact the manufacturer of the SCSI interface card for further information.

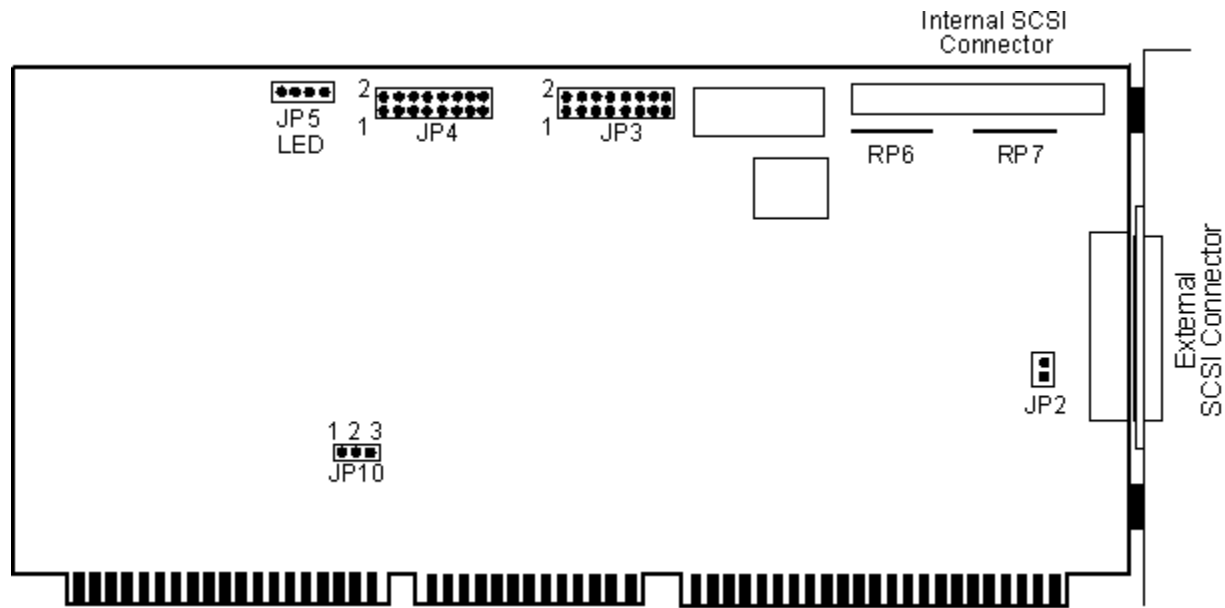
### **Interrupt Request Line (IRQ)**

*Default - IRQ14*

### **Base Memory Address**

*Default - C8000h*

## UltraStor 34F



This is the UltraStor 34F SCSI adapter shown. Listed below are the possible Interrupt Request Line (IRQ), Base I/O Address, Base Memory Address, and other jumper/switch configurations:

### JP3 (JUMPER BLOCK 1)

<b>MOTOR SPIN UP SEQUENCING</b>	<b>J1-2</b>
DEVICE AUTO SPIN UP	OFF
SEQUENTIAL SPIN UP	ON

<b>SYNC NEGOTIATION</b>	<b>J3-4</b>
HOST ADAPTER INITIATED	OFF
TARGET INITIATED	ON

<b>IRQ</b>	<b>J5-6</b>	<b>J7-8</b>
10	ON	ON
11	ON	OFF
14	OFF	ON
15	OFF	OFF

### J9-10 SCSI Parity *Enable/Disable*

#### BIOS

<b>SEGMENT</b>	<b>J11-12</b>	<b>J13-14</b>	<b>J15-16</b>
DISABLE	OFF	OFF	OFF
C4000-C7FFF	OFF	OFF	ON
C8000-CBFFF	OFF	ON	OFF
CC000-CFFFF	OFF	ON	ON
D0000-D3FFF	ON	OFF	OFF
D4000-D7FFF	ON	OFF	ON
D8000-DBFFF	ON	ON	OFF
DC000-DFFFF	ON	ON	ON

## JP4 (JUMPER BLOCK 2)

### MAILBOX PORT

I/O BASE ADDRESS	J1-2	J3-4
330H	OFF	OFF
340H	OFF	ON
230H	ON	OFF
130H	ON	ON

### NUMBER OF HARD DRIVES

	J5-6
2 (MAX) HD PER SYSTEM	OFF
7 (MAX) HD PER HOST ADAPTER	ON

### HEAD MAPPING MODE

	J7-8	J9-10
16 HEAD; 63 SECTOR MAPPING	OFF	OFF
64 HEAD; 32 SECTOR MAPPING	OFF	ON
64 HEAD; 63 SECTOR MAPPING	ON	OFF
64 HEAD; 32 SECTOR MAPPING	ON	ON

### SCSI

ID	J11-12	J13-14	J15-16
0	OFF	OFF	OFF
1	OFF	OFF	ON
2	OFF	ON	OFF
3	OFF	ON	ON
4	ON	OFF	OFF
5	ON	OFF	ON
6	ON	ON	OFF
7	ON	ON	ON



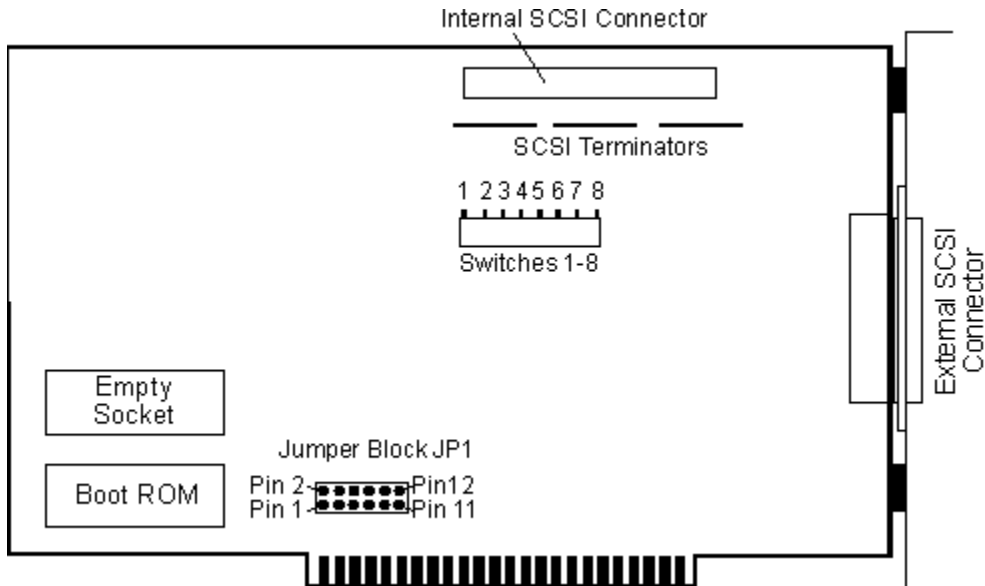
## **Trantor**

Windows 95 Adapter help currently includes the following Trantor SCSI cards:

Trantor T128

Trantor T130B

## Trantor T128



This is the Trantor T128 SCSI adapter shown. Listed below are the possible Interrupt Request Line (IRQ), Base I/O Address, Base Memory Address, and other jumper/switch configurations:

**SW1** Reserved  
**SW2** Reserved  
**SW3** Reserved  
**SW4** Reserved

**BOOT ROM SW5**  
 Enable ON  
 Disable OFF

**ZERO WAIT STATE SW6**  
 Enable ON  
 Disable OFF

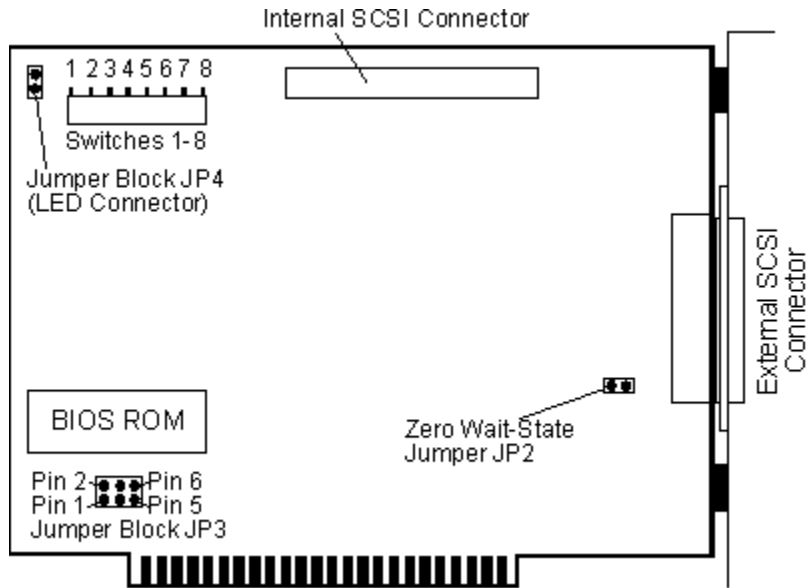
**MEMORY ADDRESS SW7 SW8**  
 CC00H OFF OFF  
 C800H OFF ON  
 DC00H ON OFF  
 D800H ON ON

### JUMPER BLOCK JP1

IRQ	PINS 1 & 3	PINS 2 & 4	PINS 3 & 5
3	OFF	ON	OFF
5	ON	OFF	OFF
7	OFF	OFF	ON



## Trantor T130B



This is the Trantor T130B SCSI adapter shown. Listed below are the possible Interrupt Request Line (IRQ), Base I/O Address, Base Memory Address, and other jumper/switch configurations:

### I/O

ADDRESS	SW1	SW2
350H	OFF	OFF
340H	OFF	ON
250H	ON	OFF
240H	ON	ON

### BIOS ROM

ADDRESS	SW3	SW4	SW5
Disabled	OFF	OFF	OFF
CA000H	OFF	OFF	ON
CE000H	OFF	ON	OFF
DA000H	OFF	ON	ON
DE000H	ON	OFF	OFF
Reserved	ON	OFF	ON
Reserved	ON	ON	OFF
Reserved	ON	ON	ON

### BOOT ROM SW6

Enable	OFF
Disable	ON

**SW7** Reserved (Should be OFF)

**SW8** Reserved (Should be OFF)

### JUMPER BLOCKS

#### ZERO

**WAIT STATE JP2**

Enable            ON  
Disable            OFF

**JP3**

<b>IRQ</b>	<b>PINS 1-2</b>	<b>PINS 3-4</b>	<b>PINS 5-6</b>
NONE	OFF	OFF	OFF
3	ON	OFF	OFF
5	OFF	ON	OFF
7	OFF	OFF	ON

Note - Jumper block jp4 is used for the led activity light on the hard disk

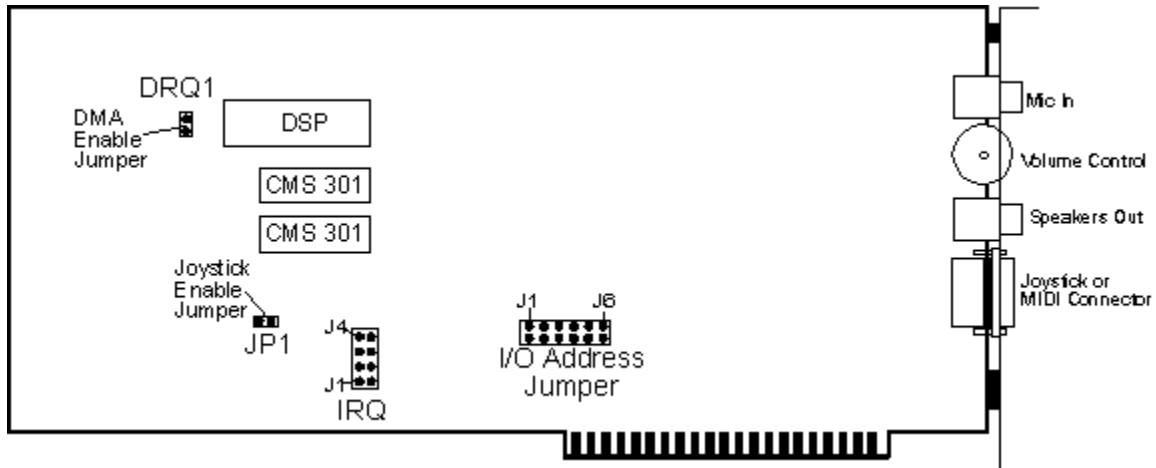
## **Creative Labs**

Windows 95 Adapter help currently includes the following Creative Labs sound cards:

Sound Blaster

Sound Blaster Pro

## Sound Blaster



This is the Sound Blaster adapter shown. Listed below are the possible Interrupt Request Line (IRQ), Base I/O Address, Base, Memory Address, and other jumper/switch configurations:

**DRQ1** DMA enable jumper. Default is on which is DMA Channel 1

**JP1** Joystick enable jumper. Default is on which is enabled.

### IRQ

	<b>J1</b>	<b>J2</b>	<b>J3</b>	<b>J4</b>
2	ON	OFF	OFF	OFF
3	OFF	ON	OFF	OFF
5	OFF	OFF	ON	OFF
7	OFF	OFF	OFF	ON

### I/O ADDRESS

	<b>J1</b>	<b>J2</b>	<b>J3</b>	<b>J4</b>	<b>J5</b>	<b>J6</b>
210H	ON	OFF	OFF	OFF	OFF	OFF
220H	OFF	ON	OFF	OFF	OFF	OFF
230H	OFF	OFF	ON	OFF	OFF	OFF
240H	OFF	OFF	OFF	ON	OFF	OFF
250H	OFF	OFF	OFF	OFF	ON	OFF
260H	OFF	OFF	OFF	OFF	OFF	ON





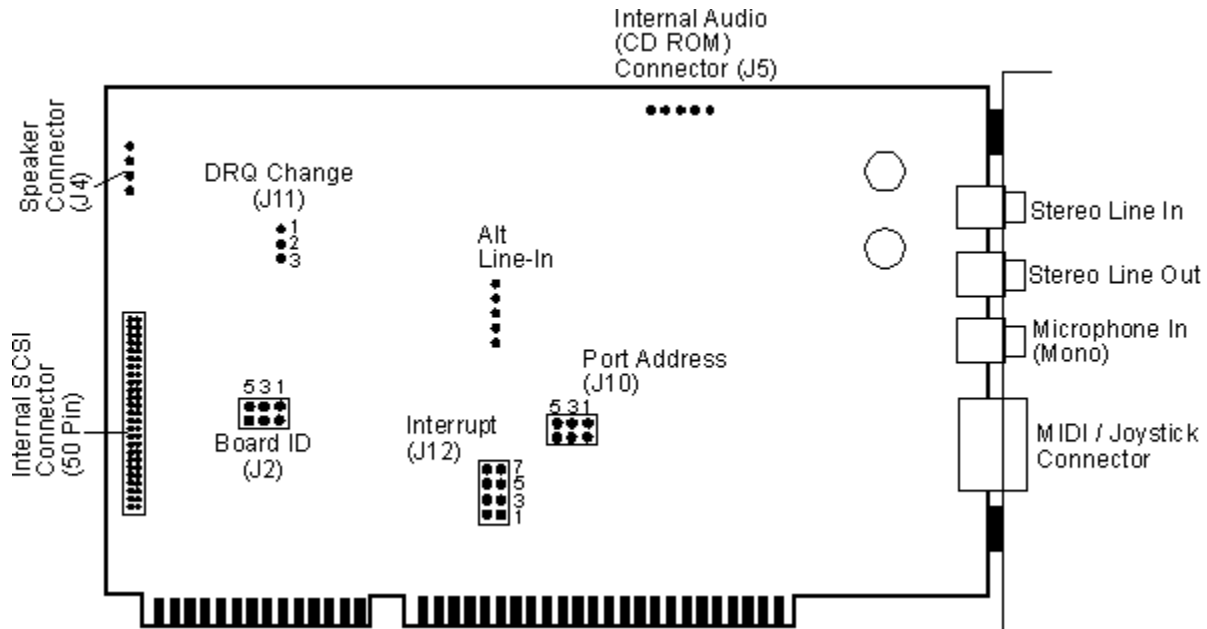
## **Media Vision**

Windows 95 Adapter help currently includes the following Media Vision sound cards:

Pro AudioSpectrum-16

Thunder Board

## Pro AudioSpectrum-16



This is the Pro AudioSpectrum-16 adapter shown. Listed below are the possible Interrupt Request Line (IRQ), Base I/O Address, Base, Memory Address, and other jumper/switch configurations:

The MediaVision Pro Audio Spectrum 16 soundcard has two modes: Pro Audio Spectrum and Soundblaster compatibility. The settings for the Pro Audio Spectrum mode are software configurable. The settings for the Soundblaster compatibility mode are controlled by the following jumpers.

### **I/O ADDRESS (J10)**

	<b>Pin 1</b>	<b>Pin 2</b>	<b>Pin 3</b>	<b>Pin 4</b>	<b>Pin 5</b>	<b>Pin 6</b>
220H	ON	ON	OFF	OFF	OFF	OFF
230H	OFF	OFF	ON	ON	OFF	OFF
240H	OFF	OFF	OFF	OFF	ON	ON

### **BOARD ID (J2)**

	<b>Pin 1</b>	<b>Pin 2</b>	<b>Pin 3</b>	<b>Pin 4</b>	<b>Pin 5</b>	<b>Pin 6</b>
0	OFF	OFF	OFF	OFF	N/A	N/A
1	ON	ON	OFF	OFF	N/A	N/A
2	OFF	OFF	ON	ON	N/A	N/A
3	ON	ON	ON	ON	N/A	N/A
4	N/A	N/A	N/A	N/A	ON	ON

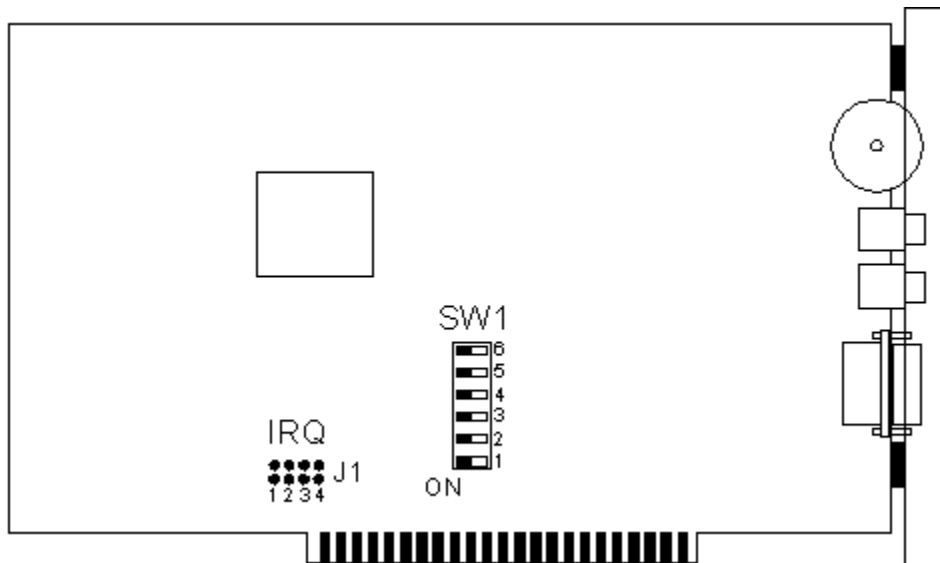
### **IRQ (J12)**

	<b>Pin 1</b>	<b>Pin 2</b>	<b>Pin 3</b>	<b>Pin 4</b>	<b>Pin 5</b>	<b>Pin 6</b>	<b>Pin 7</b>	<b>Pin 8</b>
7	ON	ON	OFF	OFF	OFF	OFF	OFF	OFF
5	OFF	OFF	ON	ON	OFF	OFF	OFF	OFF
3	OFF	OFF	OFF	OFF	ON	ON	OFF	OFF
2	OFF	OFF	OFF	OFF	OFF	OFF	ON	ON

### **DRQ (J11)**

	<b>Pin 1</b>	<b>Pin 2</b>	<b>Pin 3</b>
Do not Allow DMA Sharing	ON	ON	OFF
<i>Allow DMA sharing</i>	<i>OFF</i>	<i>ON</i>	<i>ON</i>

## Thunder Board



This is the Media Vision Thunder adapter shown. Listed below are the possible Interrupt Request Line (IRQ), Base I/O Address, Base, Memory Address, and other jumper/switch configurations:

### **SW1**

#### **PORT ADDRESS**

	<b>S1</b>	<b>S2</b>	<b>S3</b>
\$210-\$21F	OFF	ON	ON
\$220-\$22F	ON	OFF	ON
\$230-\$23F	OFF	OFF	ON
\$240-\$24F	ON	ON	OFF
\$250-\$25F	OFF	ON	OFF
\$260-\$26F	ON	OFF	OFF

**S4 FM ON/OFF**

**S5 JOYSTICK ON/OFF**

**S6 ADC ON/OFF DO NOT SET TO OFF**

### **IRQ (J1)**

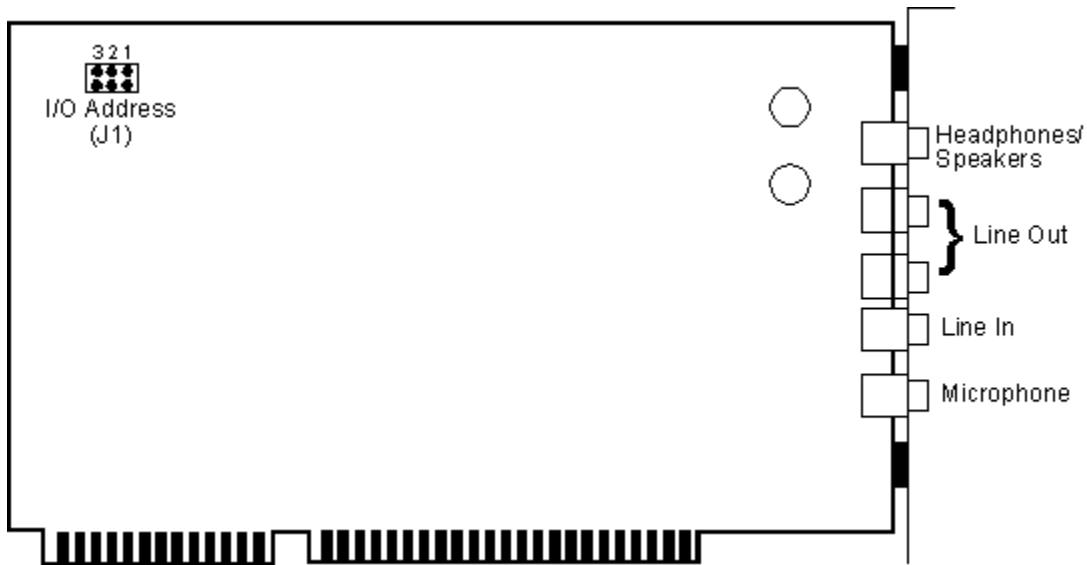
	<b>PIN 1</b>	<b>PIN 2</b>	<b>PIN 3</b>	<b>PIN 4</b>
2	ON	OFF	OFF	OFF
3	OFF	ON	OFF	OFF
5	OFF	OFF	ON	OFF
7	OFF	OFF	OFF	ON

## **Microsoft**

Windows 95 Adapter help currently includes the following Microsoft sound cards:

Windows Sound System

## Windows Sound System



This is the Microsoft Windows Sound System adapter shown. Listed below are the possible Interrupt Request Line (IRQ), Base I/O Address, Base, Memory Address, and other jumper/switch configurations:

### **I/O ADDRESS**

	<b>PIN1-2</b>	<b>PIN2-3</b>	<b>PIN3-4</b>	<b>PIN4-5</b>
530	OFF	ON	OFF	ON
604	ON	OFF	ON	OFF
E80	OFF	OFF	OFF	ON
F40	OFF	ON	ON	OFF

All other settings are set by software.



